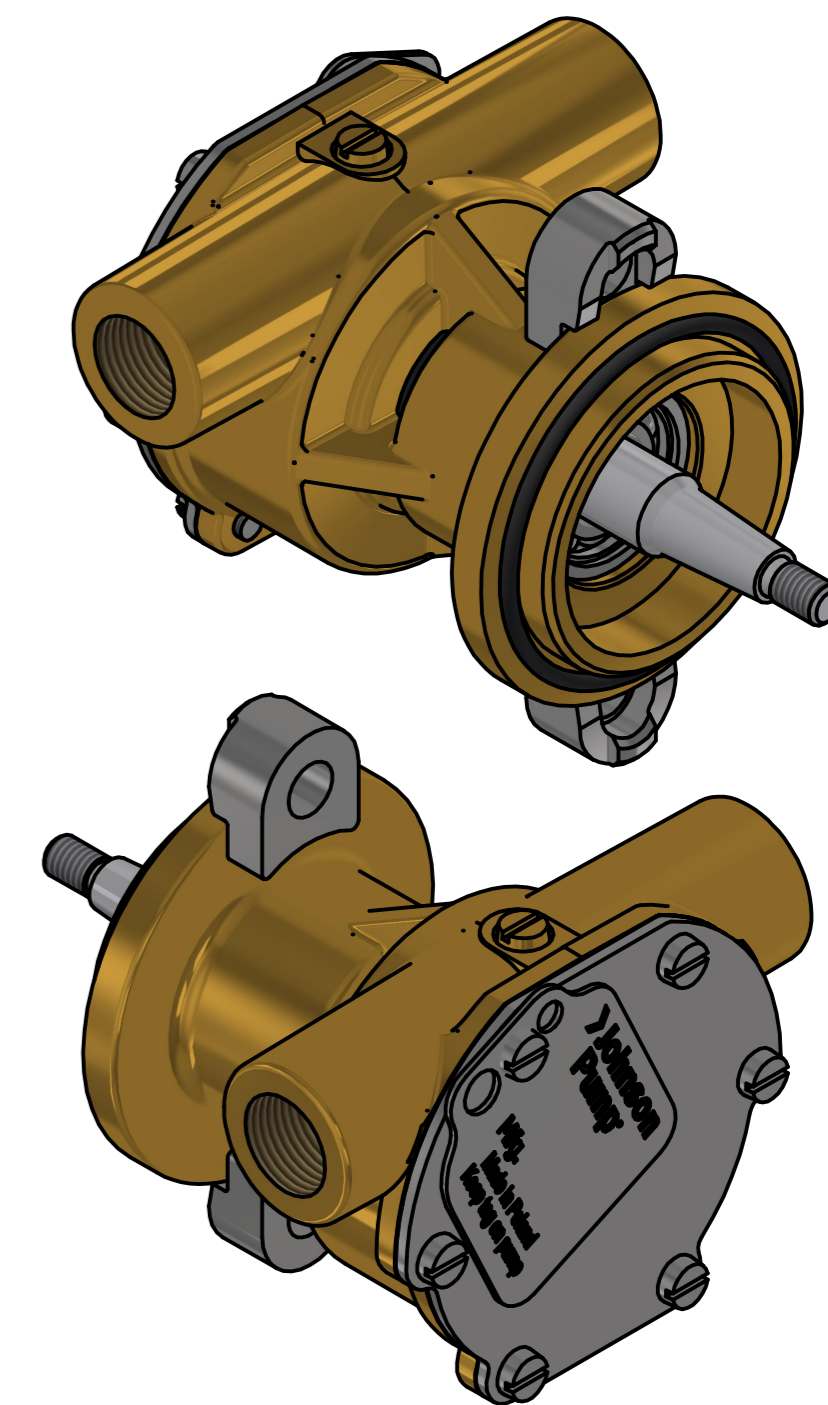
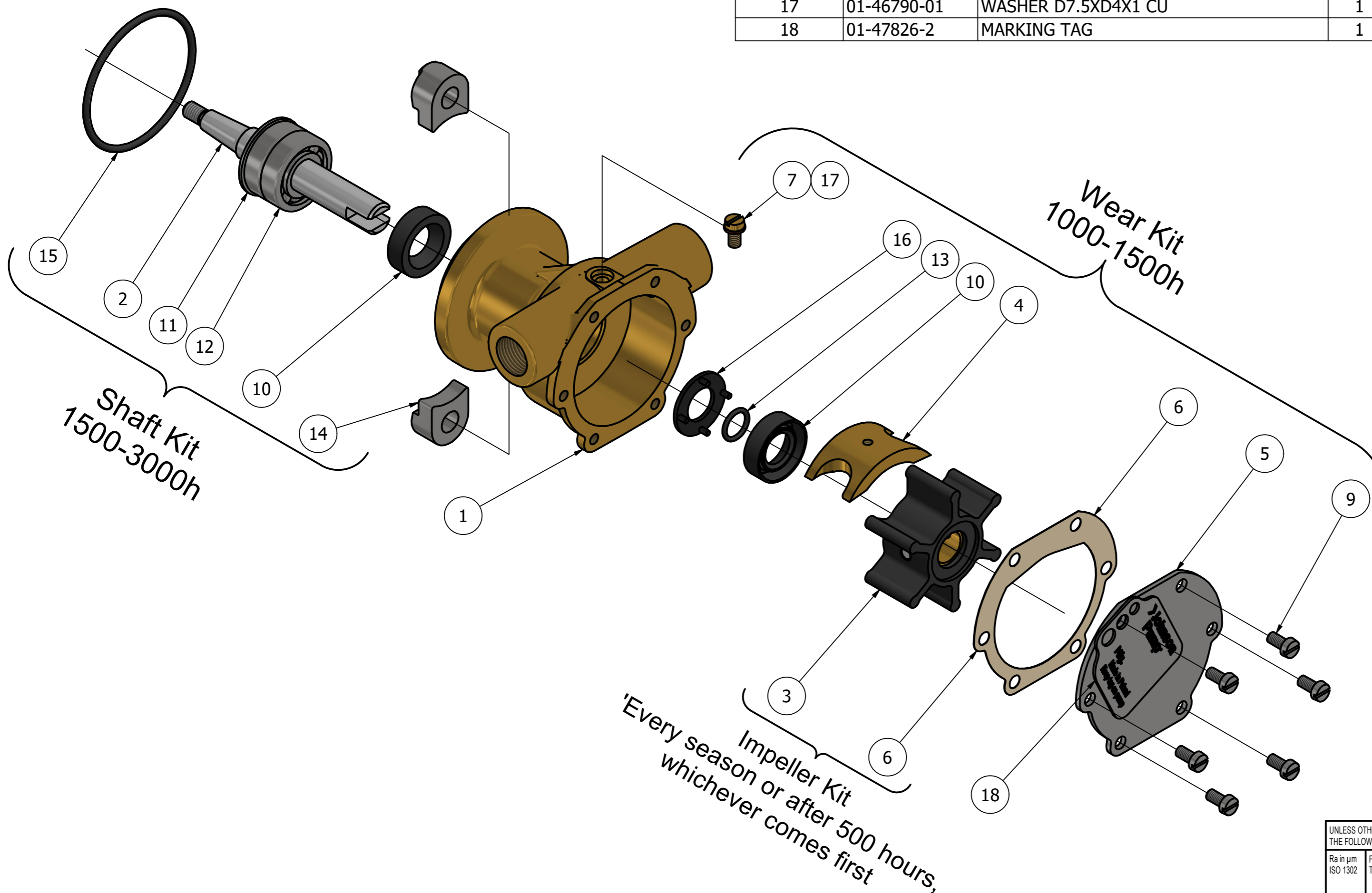


CUSTOMER DETAILS

OEM PUMP PART NO	265842460 & ED0065842450
MANUFACTURER	LOMBARDINI
ENGINE	LDW 1503 M, LDW 1603 M, LDW 2004 M, LDW 2204 M
PUMP DESCRIPTION	F4B-9 IMPELLER PUMP OEM

PART LIST

DRAWING POSITION	COMPONENTS	COMPONENT DESCRIPTION	QTY	IMPELLER KIT	WEAR KIT	SHAFT KIT	SCREW KIT
1	01-35099-2	PUMP BODY F4B-9	1				
2	01-46167	SHAFT F4B-9	1			X	
3	08-810B-1	IMPELLER F4 MC 97	1	09-810B-1			
4	01-42389	CAM 1/1 F4B	1		X		
5	01-47764-1	END COVER F4B-9	1		X		
6	01-45284	GASKET F4B-9	1	09-810B-1	X		
7	01-46794-03	SCREW 8-32UNCX8	1		X		
9	0.0279.300	SCREW M4X8 ISO1207 A4	6		X		
10	0.2233.010	LIP SEAL 12X24X7 DPSM	2		X	X	
11	0.0371.028	RETAIN. RING BORE D28 DIN472 SPRST	1			X	
12	0.3431.441	BALL BEARING 6001 ST	2			X	
13	0.2173.401	O-RING 11.1X1.6 SS1586 NBR70	1		X		
14	01-43238	CLAMP F35/F4B-9	2			X	
15	0.2173.473	O-RING 49.6X2.4 SS1586 NBR70	1			X	
16	01-45955	WASHER F35/F4B-9	1		X		
17	01-46790-01	WASHER D7.5XD4X1 CU	1		X		
18	01-47826-2	MARKING TAG	1				



ISO VIEW

REVISION HISTORY				
ECN	REV	ECN DESCRIPTION	DATE	SIGN
	P01		26.11.2024	SHETTY N.

UNLESS OTHERWISE STATED THE FOLLOWING APPLIES:		NAME	DATE	The component or product design and specified according to this drawing must comply with applicable EHS laws and EU-directives	
Ra in µm	FACES WITHOUT TOLERANCES ACC. TO ISO 2768 - mK	SHETTY N.	26-Nov-2024	MASTER	STATUS WorkInProgress
APPROVED	APPROVED	SHETTY N.		TYPE	F4B-9
MATERIAL	WEIGHT	PROJECT NUMBER	2652	SCALE	1:1
DIN ISO 13715	Outside edge Inside edge	DESCRIPTION		EXPLODED VIEW OF F4B-9 IMPELLER PUMP	
	0.25 0.5	SPXFLOW Johnson Pump		DRAWING NUMBER	10-35355-01
					REVISION P01

This Drawing/Document and information shown contains proprietary information of SPX FLOW and must not be reproduced, copied, transmitted, transferred, disclosed, undue use, shown or handed out to any unauthorized person and is to be maintained in confidence.