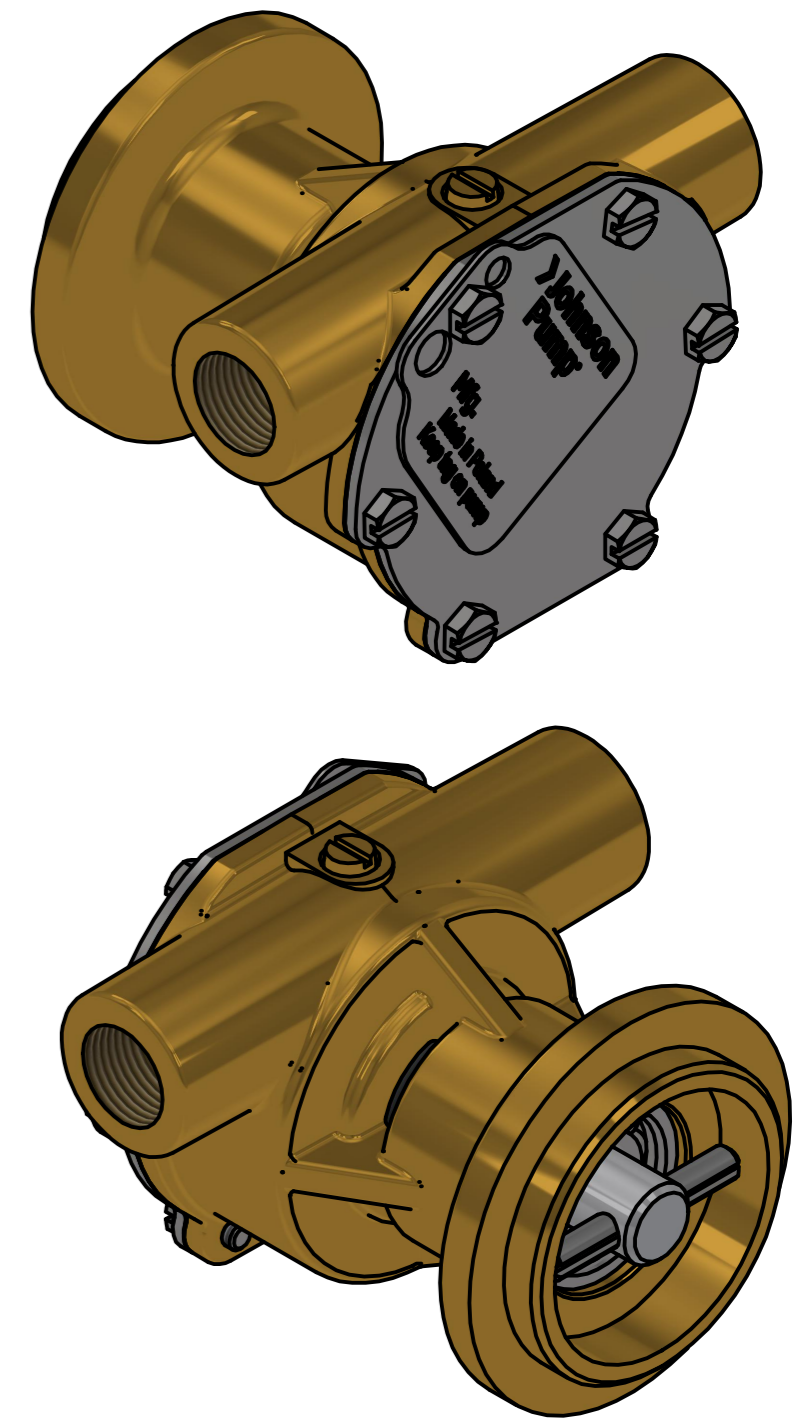
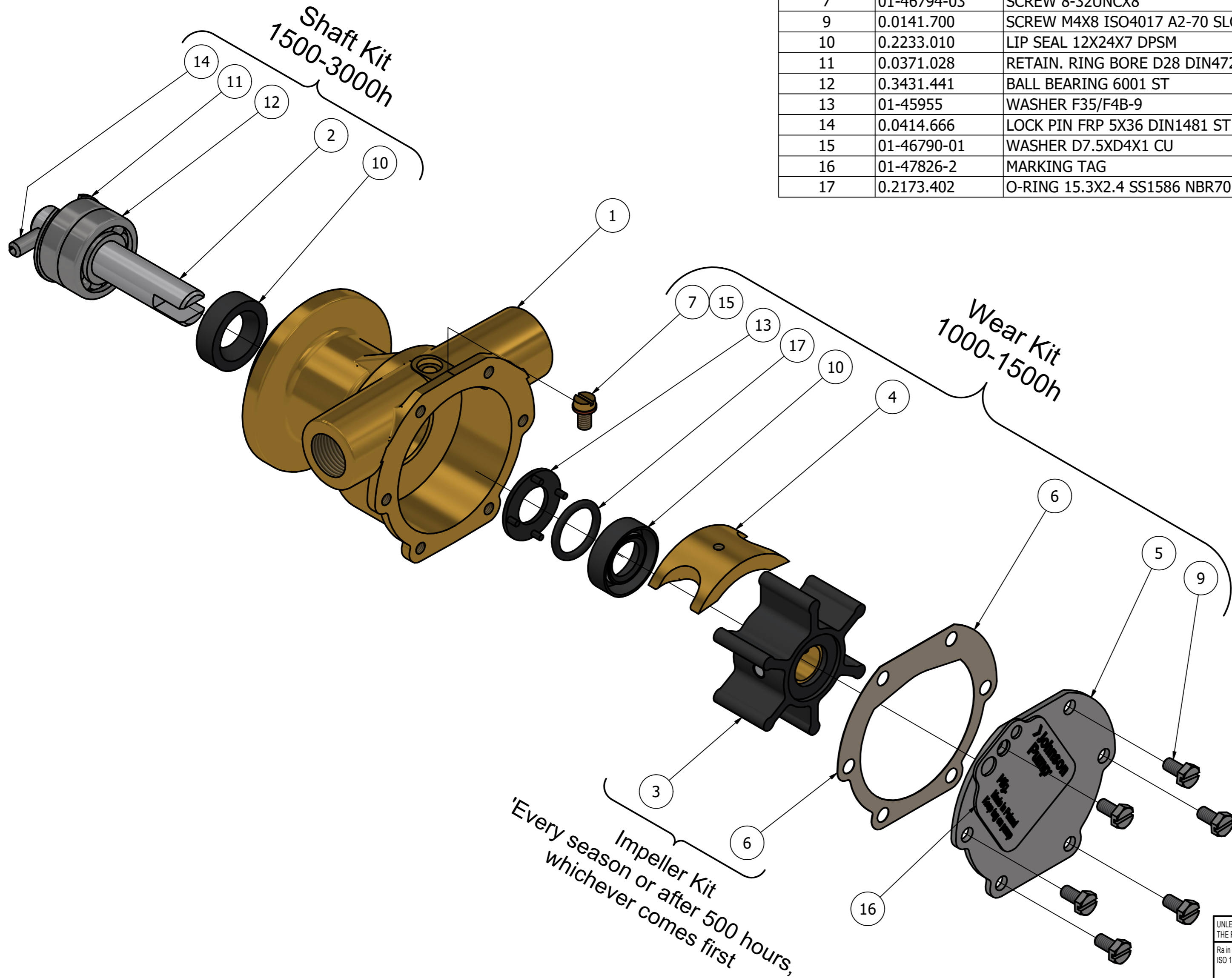


CUSTOMER DETAILS	
OEM PUMP PART NO	947047
MANUFACTURER	BMW & SABB
ENGINE	D 35/50 & M 4.140, M 4.130
PUMP DESCRIPTION	F4B-9 IMPELLER PUMP OEM

DRAWING POSITION		PART LIST						
DRAWING POSITION	COMPONENTS	COMPONENT DESCRIPTION	QTY	IMPELLER KIT	WEAR KIT	SHAFT KIT	SCREW KIT	
1	01-35099-2	PUMP BODY F4B-9	1					
2	01-45193	SHAFT F35/F4B-9	1			X		
3	08-810B-1	IMPELLER F4 MC 97	1	09-810B-1				
4	01-42389	CAM 1/1 F4B	1		X			
5	01-47764-1	END COVER F4B-9	1		X			
6	01-45284	GASKET F4B-9	1	09-810B-1	X			
7	01-46794-03	SCREW 8-32UNCX8	1		X			
9	0.0141.700	SCREW M4X8 ISO4017 A2-70 SLOTTED	6		X			
10	0.2233.010	LIP SEAL 12X24X7 DPSM	2		X	X		
11	0.0371.028	RETAIN. RING BORE D28 DIN472 SPRST	1			X		
12	0.3431.441	BALL BEARING 6001 ST	2			X		
13	01-45955	WASHER F35/F4B-9	1		X			
14	0.0414.666	LOCK PIN FRP 5X36 DIN1481 ST	1			X		
15	01-46790-01	WASHER D7.5XD4X1 CU	1		X			
16	01-47826-2	MARKING TAG	1					
17	0.2173.402	O-RING 15.3X2.4 SS1586 NBR70	1		X			



ISO VIEW

REVISION HISTORY				
ECN	REV	ECN DESCRIPTION	DATE	SIGN
	P01		10 Feb 25	N.T.

UNLESS OTHERWISE STATED THE FOLLOWING APPLIES:		NAME	DATE	The component or product design and specified according to this drawing must comply with applicable EHS laws and EU-directives	
Ra in µm	FACES WITHOUT TOLERANCES ACC. TO ISO 2768 - mK	N.T.	15-Feb-2025	MASTER	STATUS WorkInProgress
APPROVED		N.T.			PROJECTION METHOD ISO 128
MATERIAL			WEIGHT 0.8 kg	TYPE F4B-9	SCALE 1:1
DIN ISO 13715		PROJECT NUMBER 2652		DESCRIPTION EXPLODED VIEW OF F4B-9 IMPELLER PUMP OEM	
Outside edge	Inside edge	SPXFLOW		DRAWING NUMBER 10-35333-01	
0.25	0.5	Johnson Pump		REVISION P01	

This Drawing/Document and information shown contains proprietary information of SPX FLOW and must not be reproduced, copied, transmitted, transferred, disclosed, undue use, shown or handed out to any unauthorized person and is to be maintained in confidence.