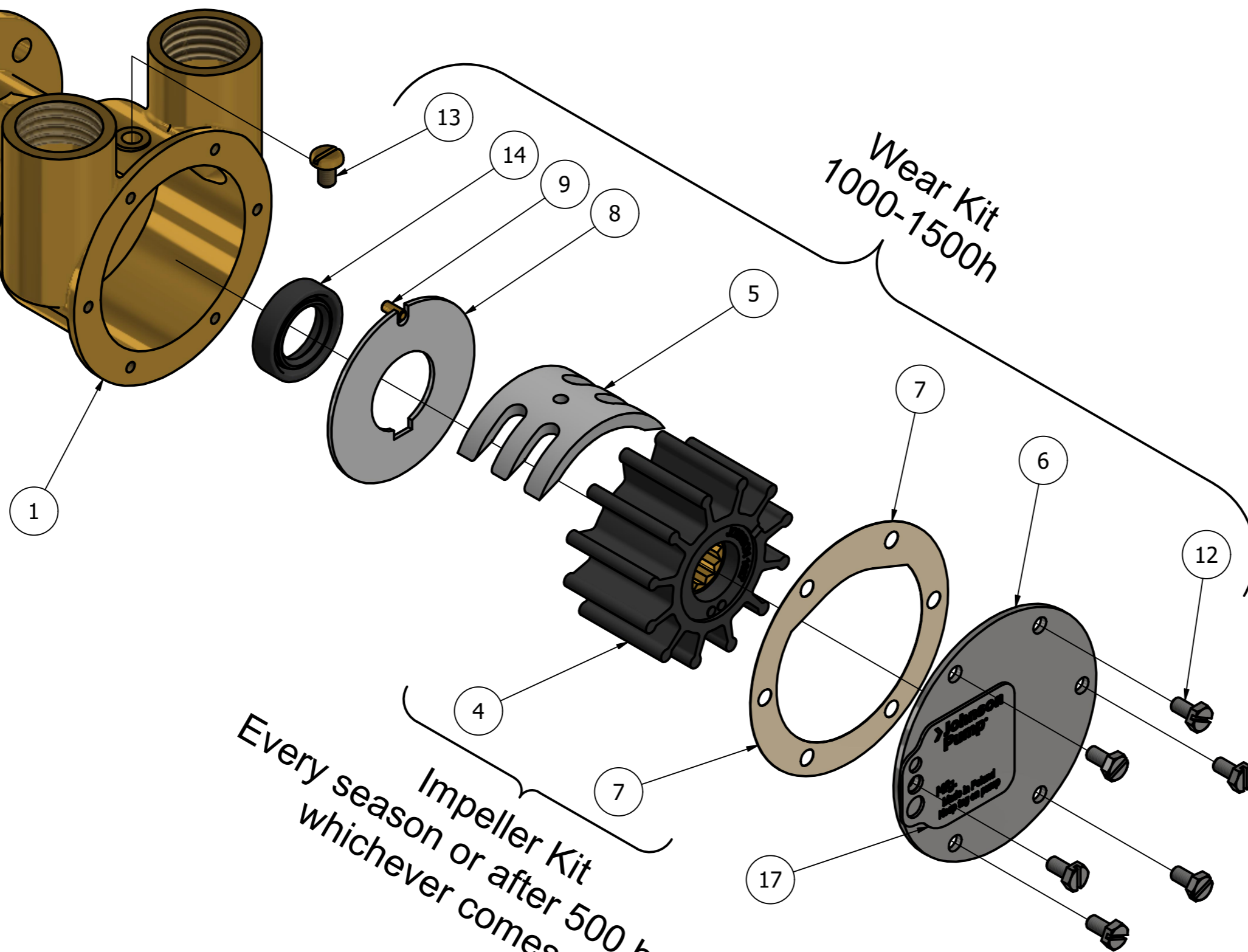
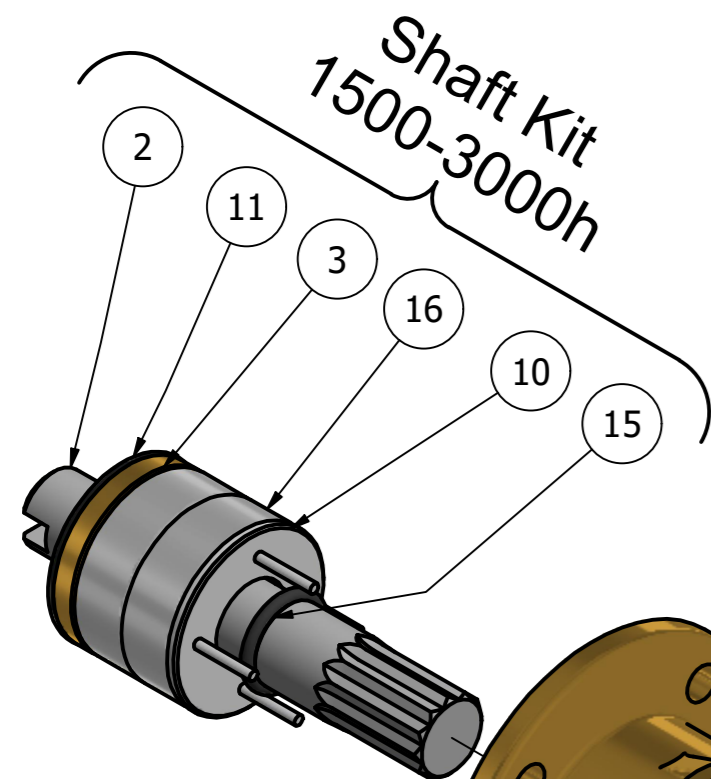


CUSTOMER DETAILS

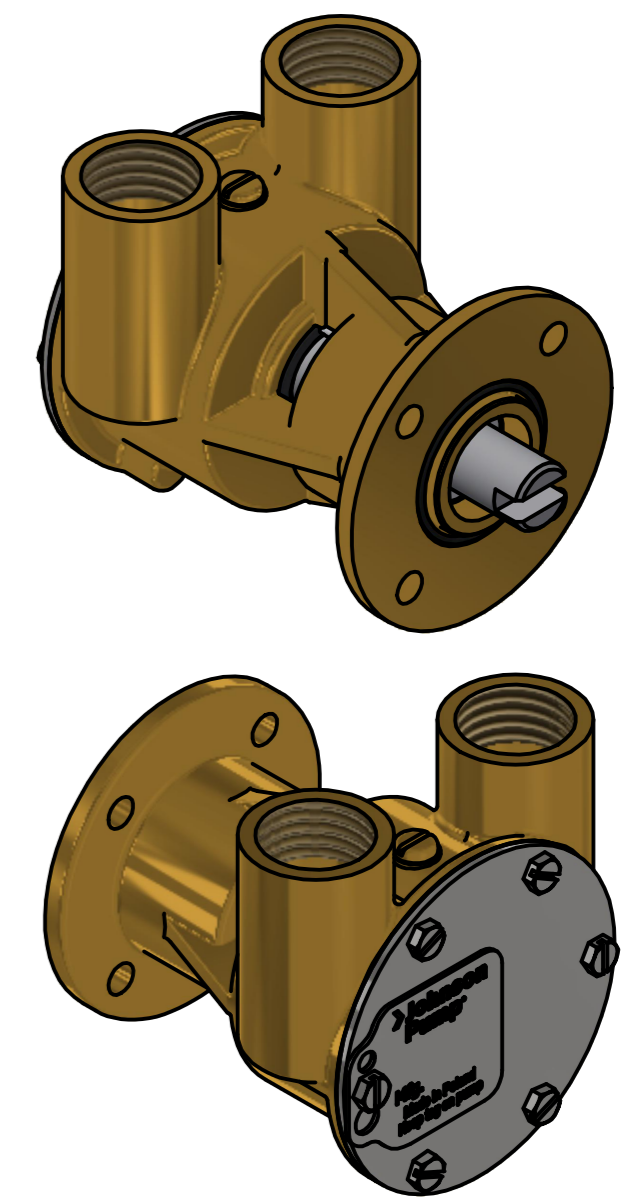
OEM PUMP PART NO	Y362-03357
MANUFACTURER	LISTER PETTER
ENGINE	LPW4
PUMP DESCRIPTION	F5B-903 IMPELLER PUMP

PART LIST

DRAWING POSITION	COMPONENTS	COMPONENT DESCRIPTION	QTY	IMPELLER KIT	WEAR KIT	SHAFT KIT	SCREW KIT
1	01-24115-1	PUMP BODY F5B-9	1				
2	01-46085	SHAFT F5B-9	1			X	
3	01-45992	GUIDE RING F5B-9	1			X	
4	08-1027B	IMPELLER F5 NEOPRENE	1	09-1027B-1			
5	01-45976	CAM F5B-903	1		X		
6	01-47763-1	END COVER F4B-F5B SS	1		X		
7	01-42401	GASKET F5B-	1	09-1027B-1	X		
8	01-42399-2	WEAR PLATE F5B	1		X		
9	01-42400	PIN F35B-/F7B/F70B	1		X		
10	01-45186	WASHER F5B-9	1			X	
11	0.2173.468	O-RING 32.1X1.6 SS1586 NBR70	1			X	
12	0.0141.700	SCREW M4X8 ISO4017 A2-70 SLOTTED	6		X		
13	01-46794-05	SCREW 10-32UNFX8 BRASS	1		X		
14	0.2233.001	LIP SEAL 16X28X7 DPSM	1		X		
15	0.2173.403	O-RING 12.3X2.4 SS1586 NBR70	1			X	
16	0.3431.761	BALL BEARING 6202-2RS1	2			X	
17	01-47826-2	MARKING TAG	1				



Impeller Kit
Every season or after 500 hours,
whichever comes first



ISO VIEW

REVISION HISTORY				
ECN	REV	ECN DESCRIPTION	DATE	SIGN
	P01		13.02.2025	

UNLESS OTHERWISE STATED THE FOLLOWING APPLIES:		NAME	DATE	The component or product design and specified according to this drawing must comply with applicable EHS laws and EU-directives	
Ra in µm	FACES WITHOUT TOLERANCES ACC. TO	Shetty N.	2/13/2025	MASTER	STATUS WorkInProgress
ISO 1302	ISO 2768 - mK	APPROVED			PROJECTION METHOD ISO 128
		MATERIAL	WEIGHT N/A	TYPE F5B-903	SCALE 1:1.25
DIN ISO 13715		PROJECT NUMBER 2652	DESCRIPTION		
Outside edge	Inside edge	EXPLODED VIEW OF F5B-903 IMPELLER PUMP			
0.25	+0.5			DRAWING NUMBER	REVISION
				10-35327-03	P01

This Drawing/Document and information shown contains proprietary information of SPX FLOW and must not without permission and written consent be reproduced, copied, transmitted, transferred, disclosed, undue use, shown or handed out to any unauthorized person and is to be maintained in confidence.