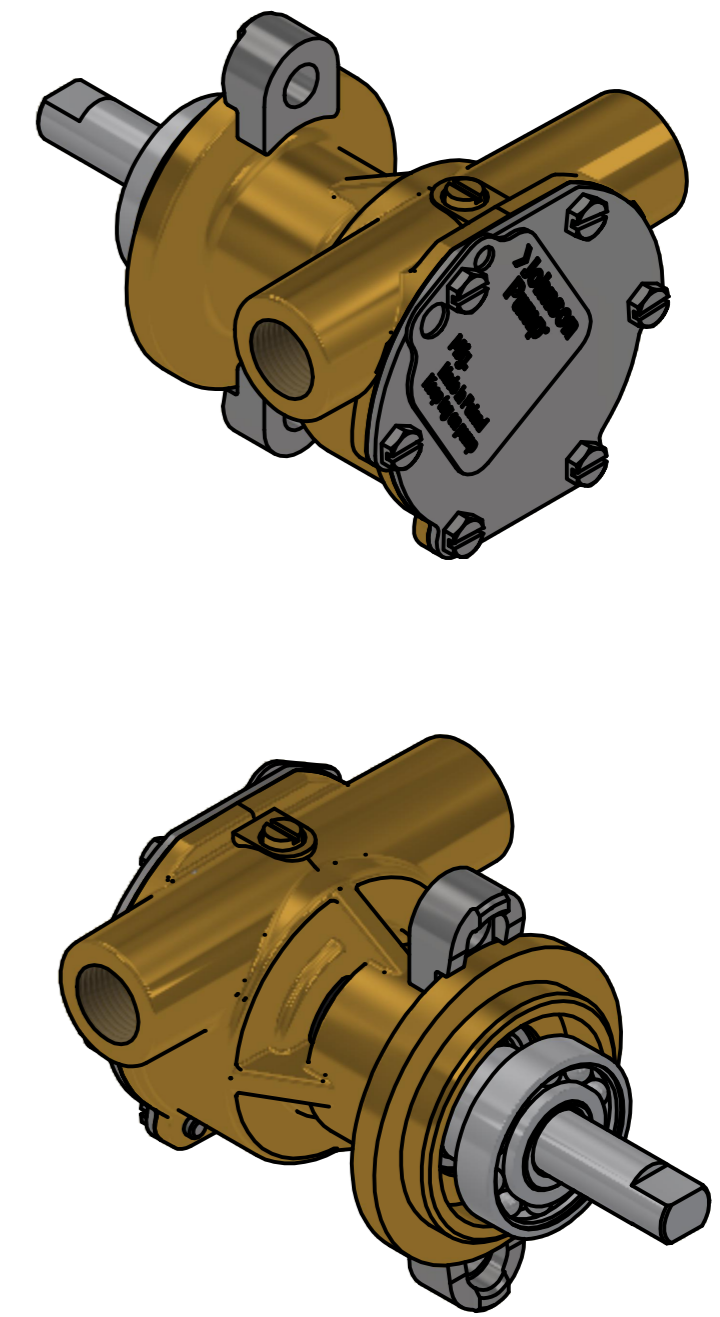
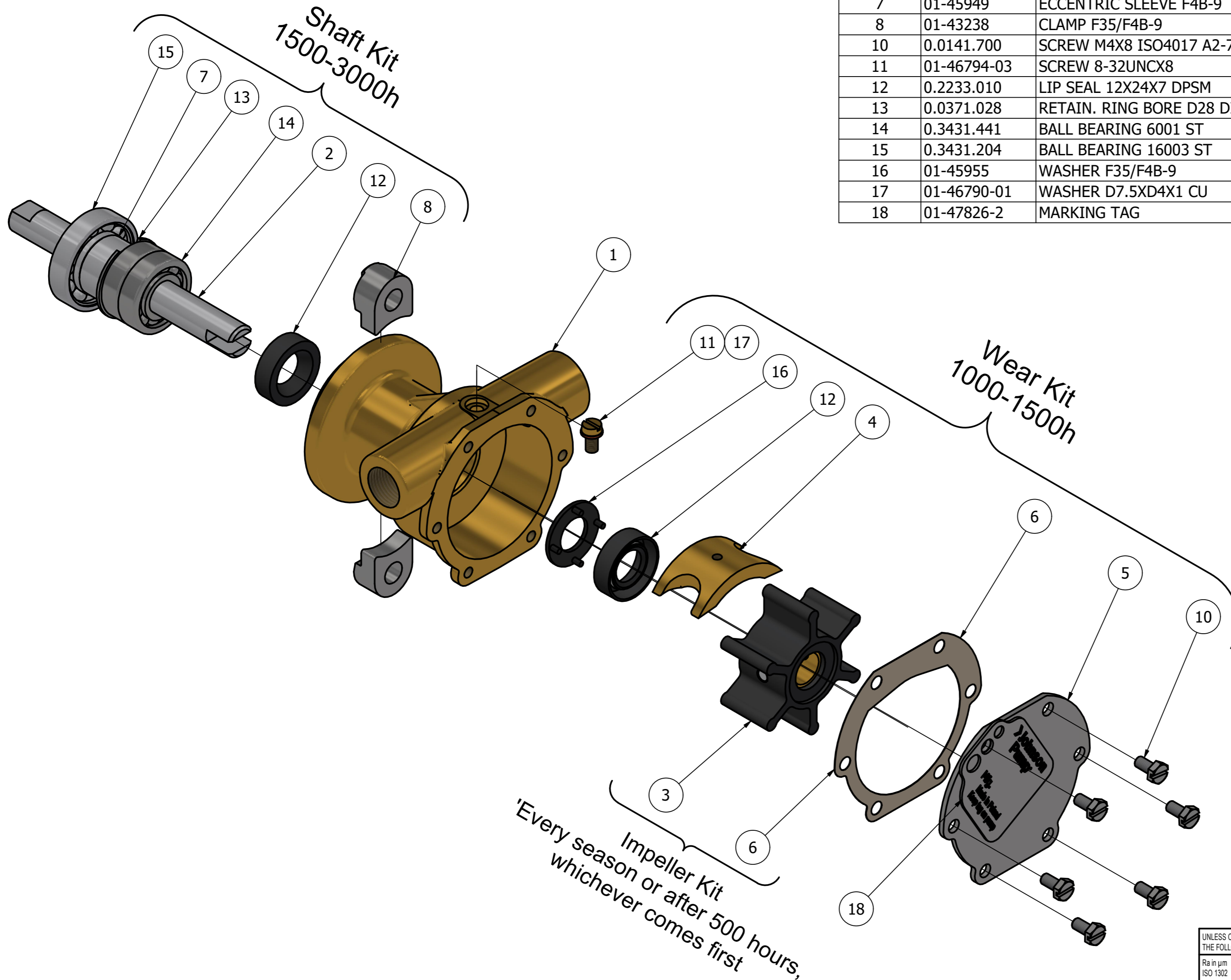


CUSTOMER DETAILS

OEM PUMP PART NO	
MANUFACTURER	THORNYCROFT
ENGINE	60 & 80
PUMP DESCRIPTION	F4B-9 IMPELLER PUMP OEM

PART LIST

DRAWING POSITION	COMPONENTS	COMPONENT DESCRIPTION	QTY	IMPELLER KIT	WEAR KIT	SHAFT KIT	SCREW KIT
1	01-35099-2	PUMP BODY F4B-9	1				
2	01-45950	SHAFT F4B-9	1			X	
3	08-810B-1	IMPELLER F4 MC 97	1	09-810B-1			
4	01-42389	CAM 1/1 F4B	1		X		
5	01-47764-1	END COVER F4B-9	1		X		
6	01-45284	GASKET F4B-9	1	09-810B-1	X		
7	01-45949	ECCENTRIC SLEEVE F4B-9	1			X	
8	01-43238	CLAMP F35/F4B-9	2			X	
10	0.0141.700	SCREW M4X8 ISO4017 A2-70 SLOTTED	6		X		
11	01-46794-03	SCREW 8-32UNCX8	1		X		
12	0.2233.010	LIP SEAL 12X24X7 DPSM	2		X	X	
13	0.0371.028	RETAIN. RING BORE D28 DIN472 SPRST	1			X	
14	0.3431.441	BALL BEARING 6001 ST	2			X	
15	0.3431.204	BALL BEARING 16003 ST	1			X	
16	01-45955	WASHER F35/F4B-9	1		X		
17	01-46790-01	WASHER D7.5XD4X1 CU	1		X		
18	01-47826-2	MARKING TAG	1				



ISO VIEW

Impeller Kit  
Every season or after 500 hours,  
whichever comes first

REVISION HISTORY				
ECN	REV	ECN DESCRIPTION	DATE	SIGN
	P01		14 Feb 25	

UNLESS OTHERWISE STATED THE FOLLOWING APPLIES:		NAME	DATE	The component or product design and specified according to this drawing must comply with applicable EHS laws and EU-directives	
Ra in µm	FACES WITHOUT TOLERANCES ACC. TO ISO 2768 - mK	N.T.	2/15/2025	MASTER	STATUS WorkInProgress
ISO 1302					PROJECTION METHOD ISO 128
				MATERIAL	WEIGHT 0.9 kg
				TYPE F4B-9	SCALE 1:1.1
DIN ISO 13715		PROJECT NUMBER 2652		DESCRIPTION EXPLODED VIEW OF F4B-9 IMPELLER PUMP OEM	
Outside edge	Inside edge	SPXFLOW		DRAWING NUMBER 10-35271-01	
0.25	0.5	Johnson Pump		REVISION P01	

This Drawing/Document and information shown contains proprietary information of SPX FLOW and must not without permission and written consent be reproduced, copied, transmitted, transferred, disclosed, undue use, shown or handed out to any unauthorized person and is to be maintained in confidence.