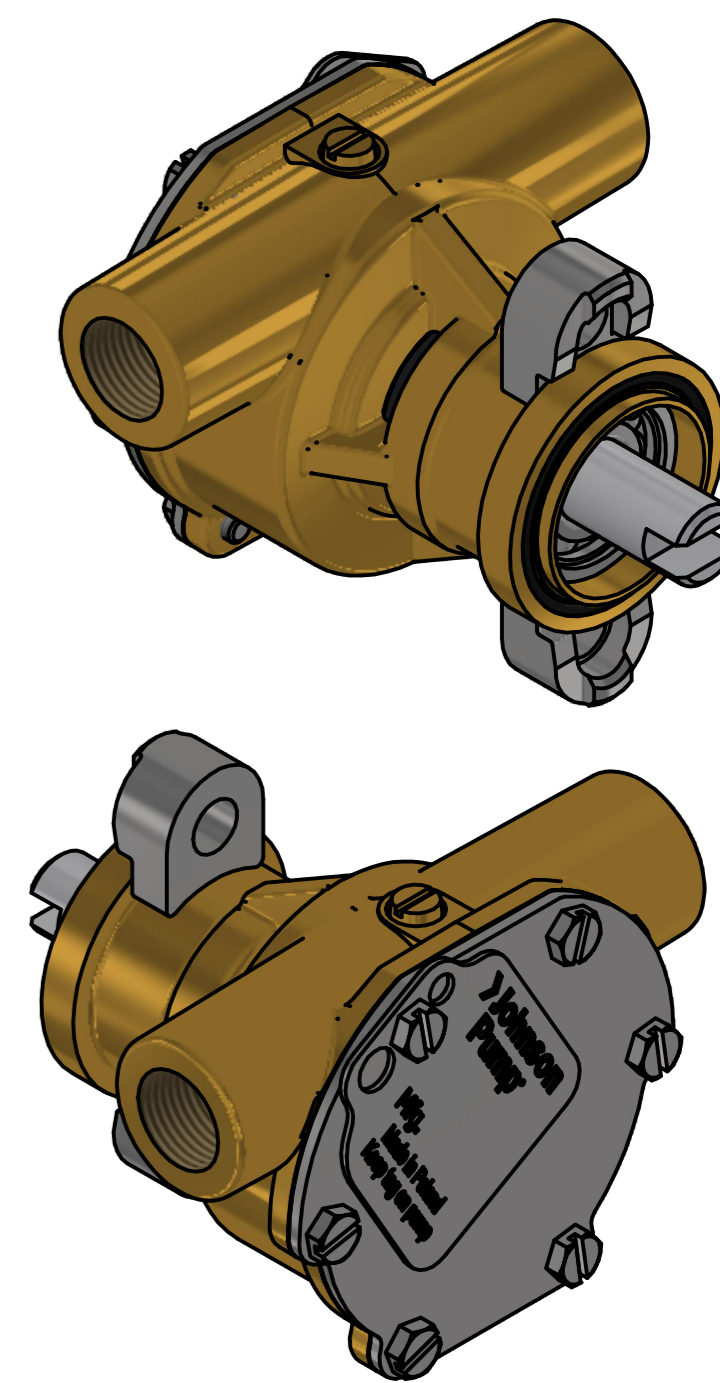
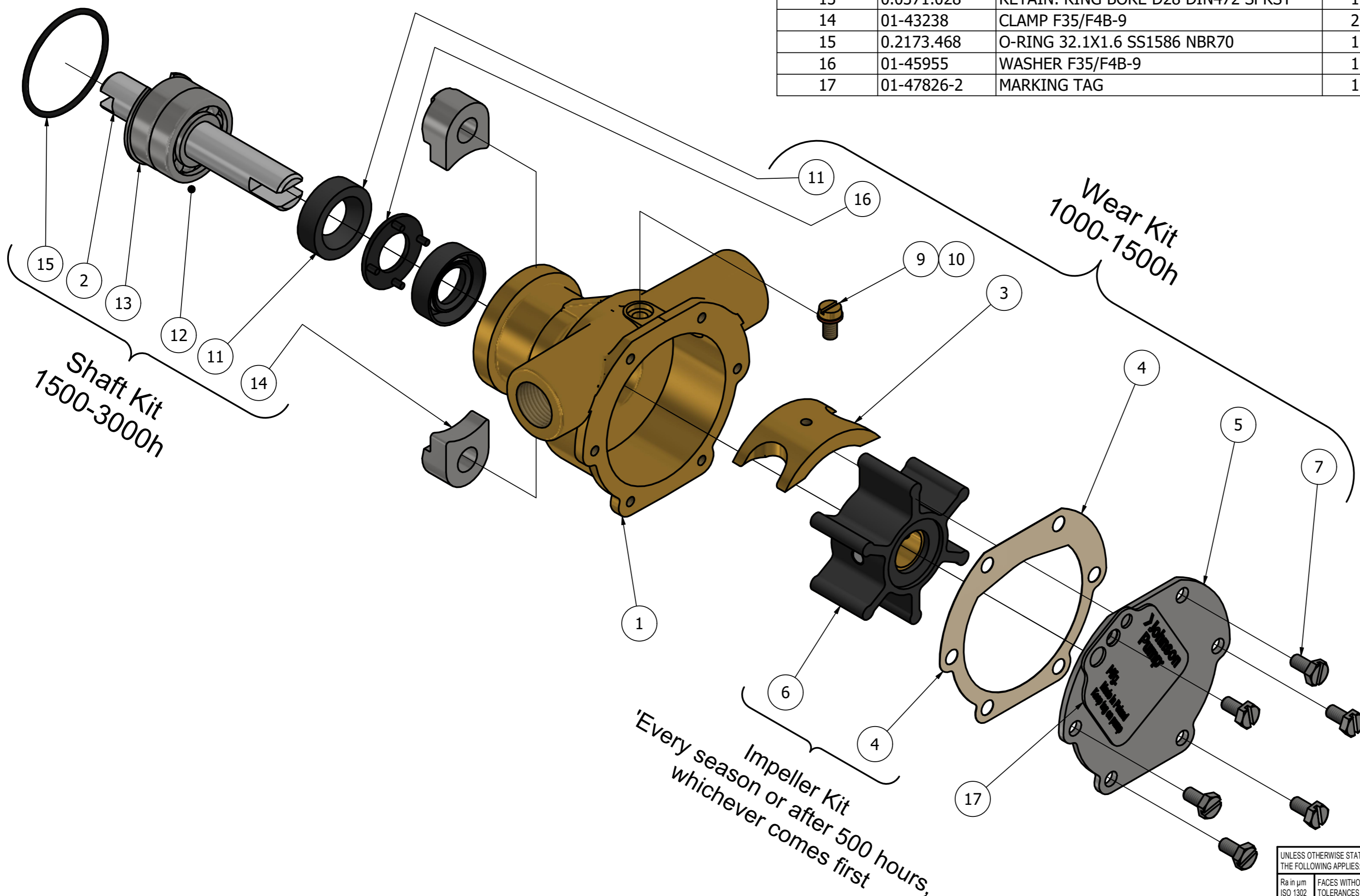


CUSTOMER DETAILS

OEM PUMP PART NO	610G0130
MANUFACTURER	BUKH (AABENRAA)
ENGINE	DV 24 ME/SME, DV 10 ME/SME, DV 20 ME/SME
PUMP DESCRIPTION	F4B-9 IMPELLER PUMP

PART LIST

DRAWING POSITION	COMPONENTS	COMPONENT DESCRIPTION	QTY	IMPELLER KIT	WEAR KIT	SHAFT KIT	SCREW KIT
1	01-35239	PUMP BODY F4B-9	1				
2	01-45556	SHAFT F35/F4B-9	1			X	
3	01-42389	CAM 1/1 F4B	1		X		
4	01-45284	GASKET F4B-9	1	09-810B-1	X		
5	01-47764-1	END COVER F4B-9	1		X		
6	08-810B-1	IMPELLER F4 MC 97	1	09-810B-1			
7	0.0141.700	SCREW M4X8 ISO1207	6		X		
9	01-46794-03	SCREW 8-32UNCX8	1		X		
10	01-46790-01	WASHER D7.5XD4X1 CU	1		X		
11	0.2233.010	LIP SEAL 12X24X7 DPSM	2		X	X	
12	0.3431.441	BALL BEARING 6001 ST	2			X	
13	0.0371.028	RETAIN. RING BORE D28 DIN472 SPRST	1			X	
14	01-43238	CLAMP F35/F4B-9	2			X	
15	0.2173.468	O-RING 32.1X1.6 SS1586 NBR70	1			X	
16	01-45955	WASHER F35/F4B-9	1		X		
17	01-47826-2	MARKING TAG	1				



ISO VIEW

This Drawing/Document and information shown contains proprietary information of SPX FLOW and must not without permission and written consent be reproduced, copied, transmitted, transferred, disclosed, undue use, shown or handed out to any unauthorized person and is to be maintained in confidence.

REVISION HISTORY				
ECN	REV	ECN DESCRIPTION	DATE	SIGN
	P01		25.11.2024	SHETTY N.

UNLESS OTHERWISE STATED THE FOLLOWING APPLIES:		NAME	DATE	The component or product design and specified according to this drawing must comply with applicable EHS laws and EU-directives	
Ra in µm	FACES WITHOUT TOLERANCES ACC. TO ISO 2768 - mK	SHETTY N.	11/25/2024	MASTER	STATUS WorkInProgress
APPROVED	ISO 2768 - mK	SHETTY N.			PROJECTION METHOD ISO 128
MATERIAL			WEIGHT 0.7 kg	TYPE F4B-9	SCALE 1:1
DIN ISO 13715		PROJECT NUMBER 2652	DESCRIPTION EXPLODED VIEW OF F4B-9 IMPELLER PUMP		
Outside edge	Inside edge	SPXFLOW		DRAWING NUMBER 10-35241-1	
↙ ±0.25	↘ ±0.5	Johnson Pump		REVISION P01	