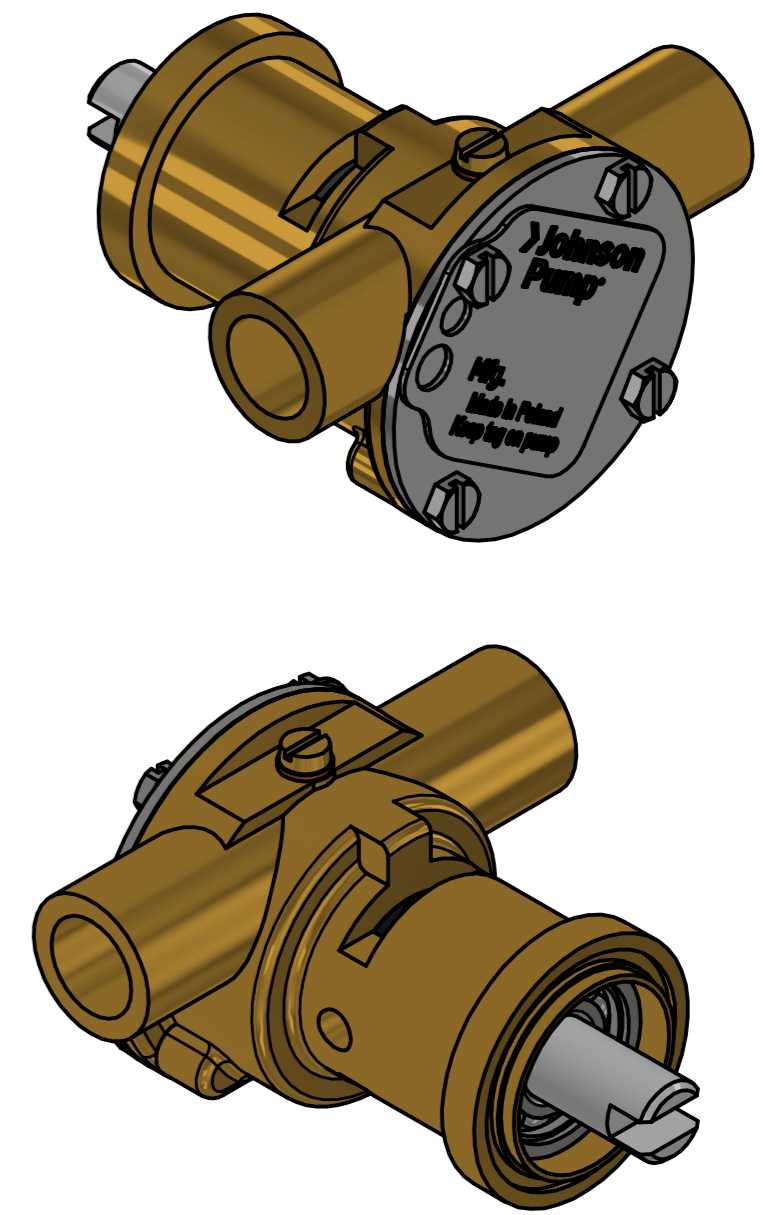
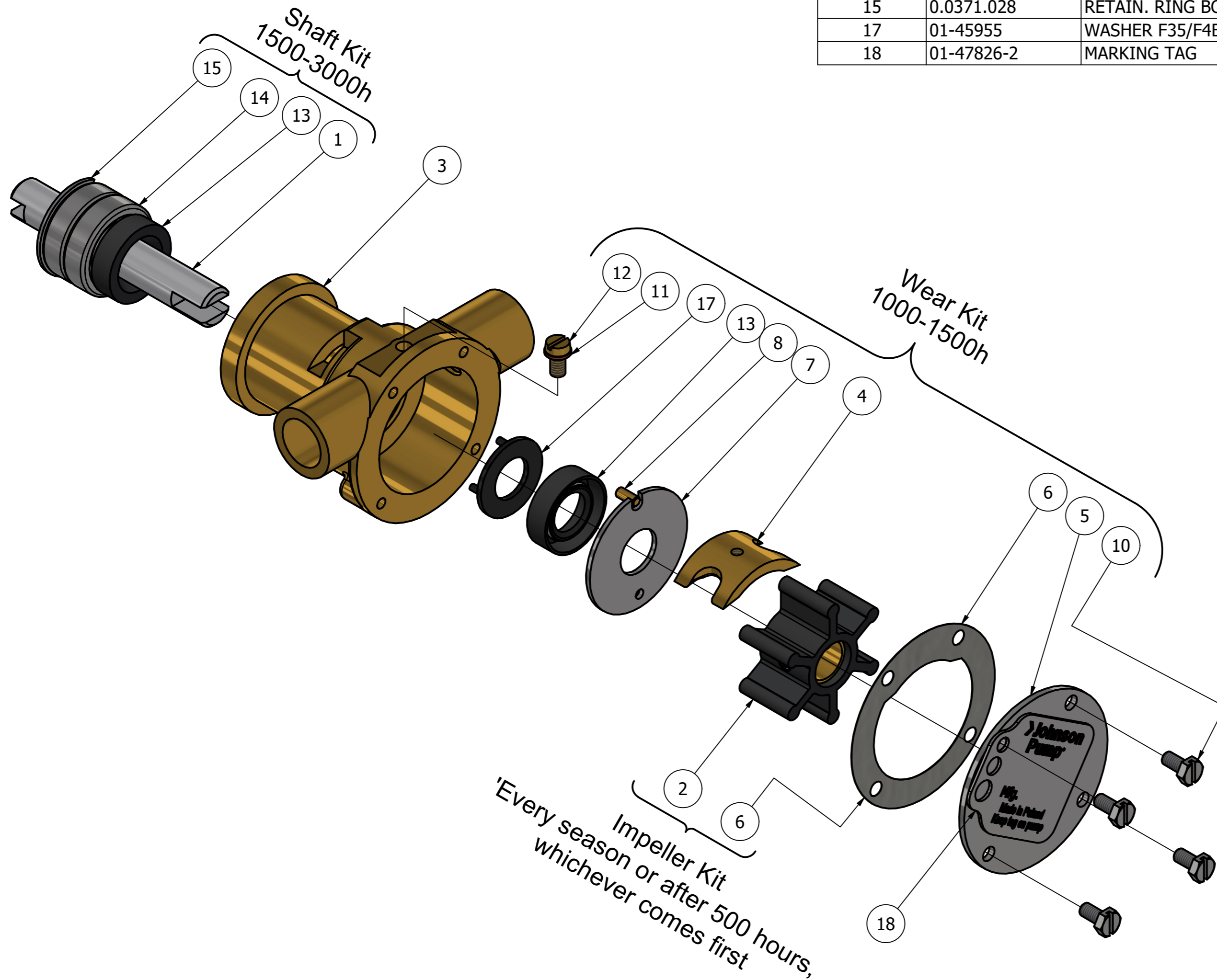


CUSTOMER DETAILS	
OEM PUMP PART NO	Miscellaneous
MANUFACTURER	Miscellaneous
ENGINE	Miscellaneous
PUMP DESCRIPTION	F35B-9 IMPELLER PUMP OEM

PART LIST								
DRAWING POSITION	COMPONENTS	COMPONENT DESCRIPTION	QTY	IMPELLER KIT	WEAR KIT	SHAFT KIT	SCREW KIT	
1	01-45556	SHAFT F35/F4B-9	1			X		
2	08-808B-1	IMPELLER F35 MC 97	1	09-808B-1				
3	01-35096-2	PUMP BODY F35B-9	1					
4	01-42910	CAM 1/1 F35B	1		X			
5	01-47761-1	END COVER F35B	1		X			
6	01-43240	GASKET F35B-	1	09-808B-1	X			
7	01-46676	WEAR PLATE F35B-8 SS	1		X			
8	01-42400	PIN F35B-/F7B/F70B	1		X			
10	0.0141.700	SCREW M4X8 ISO1207	4		X			
11	01-46790-01	WASHER D7.5XD4X1 CU	1		X			
12	01-46794-03	SCREW 8-32UNCX8	1		X			
13	0.2233.010	LIP SEAL 12X24X7 DPSM	2		X	X		
14	0.3431.441	BALL BEARING 6001 ST	2			X		
15	0.0371.028	RETAIN. RING BORE D28 DIN472 SPRST	1			X		
17	01-45955	WASHER F35/F4B-9	1		X			
18	01-47826-2	MARKING TAG	1					



ISO VIEW

REVISION HISTORY				
ECN	REV	ECN DESCRIPTION	DATE	SIGN
	P01		22-Nov-2024	M.G

UNLESS OTHERWISE STATED THE FOLLOWING APPLIES:		NAME	DATE	The component or product design and specified according to this drawing must comply with applicable EHS laws and EU-directives	
Ra in µm	FACES WITHOUT TOLERANCES ACC. TO	M.G	22-Nov-2024	MASTER	STATUS WorkInProgress
ISO 1302	ISO 2768 - mK	M.G			PROJECTION METHOD ISO 128
					PROJECT NUMBER 2652
					WEIGHT 0.5 kg
					TYPE F35B-9
					SCALE 1:1
DIN ISO 13715				DESCRIPTION	
Outside edge	Inside edge			EXPLODED VIEW OF F35B-9 IMPELLER PUMP OEM	
0.25	0.5			DRAWING NUMBER	
				10-35157-6	
				REVISION	
				P01	