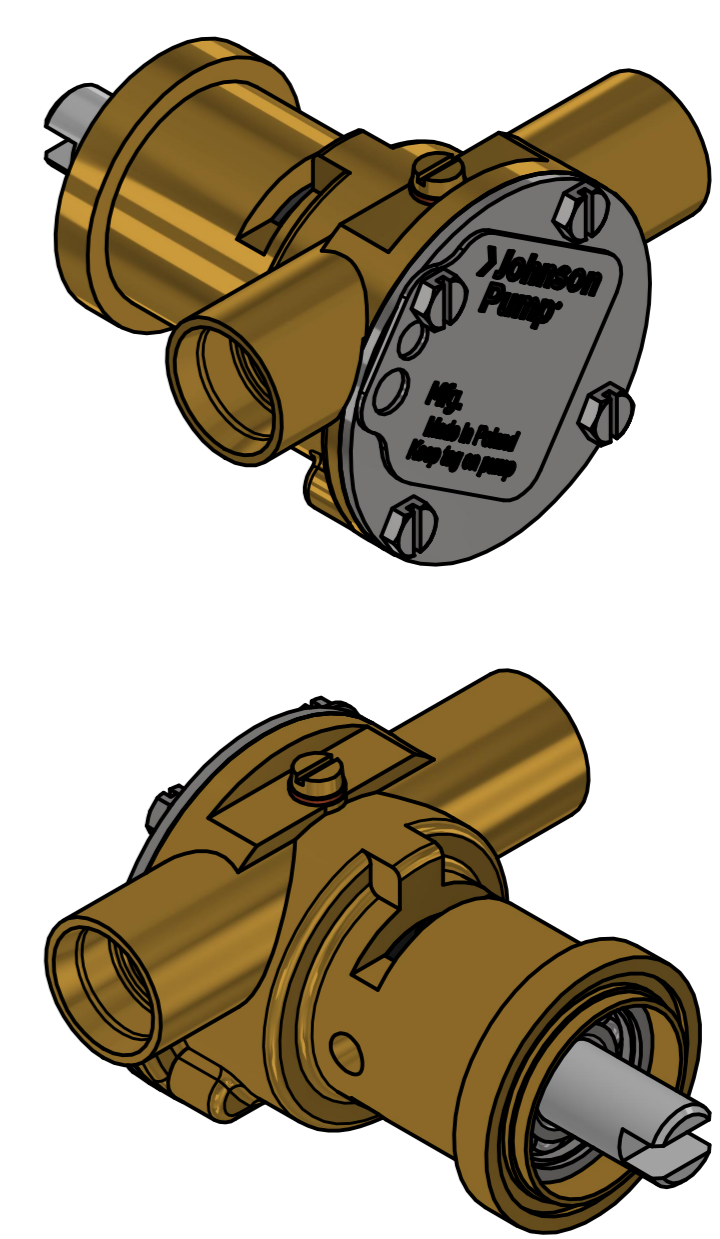
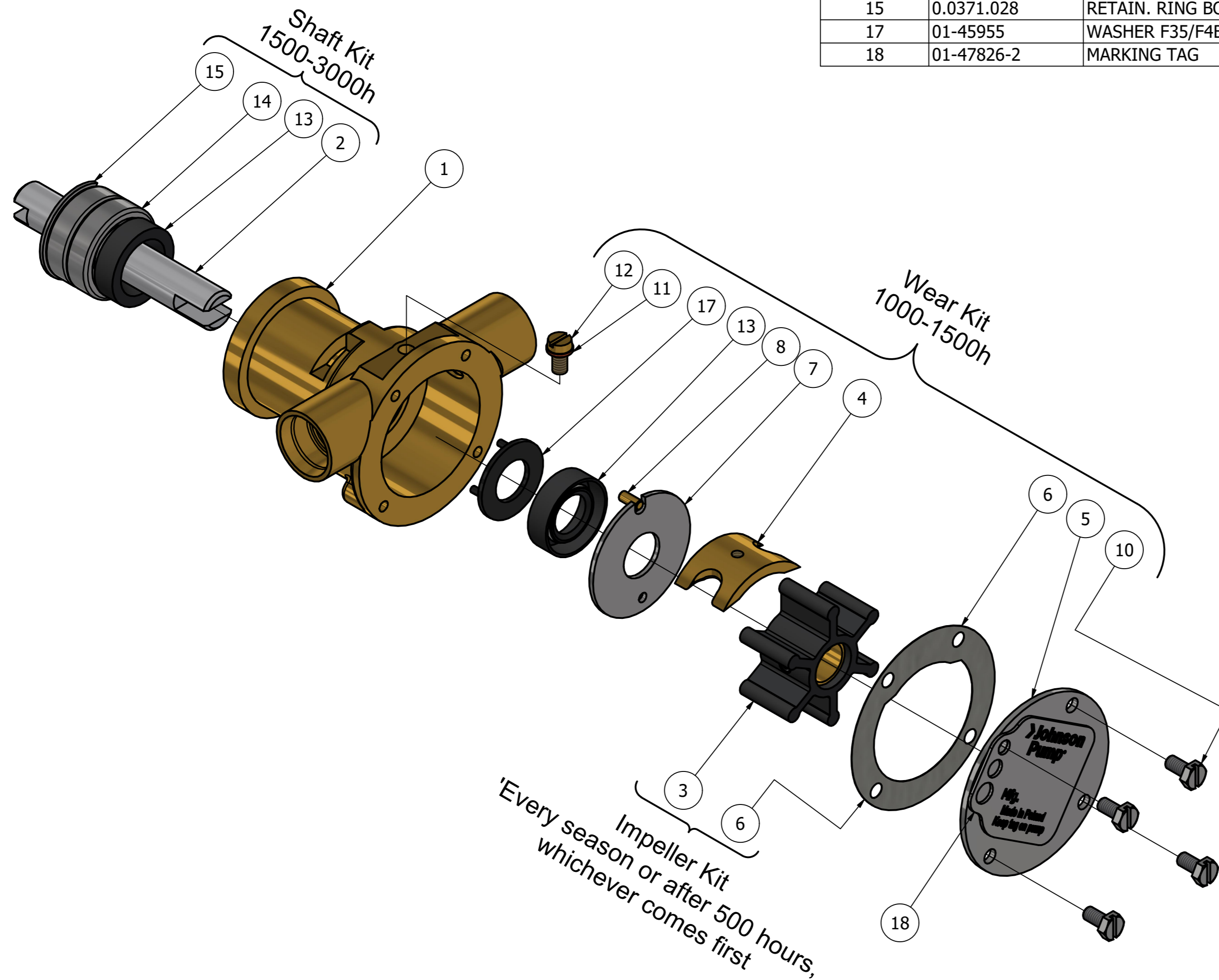


CUSTOMER DETAILS	
OEM PUMP PART NO	858065
MANUFACTURER	VOLVO PENTA
ENGINE	MD6, MD6A, MD6B, MD7, MD7A, MD7B; MD1B, MD2B, AQD2B, MD3B; MD5A, MD5B, MD5C; MD11, MD11C, MD11D, MD17, MD17C, MD17D; MB10A, MB 10A/11, MD 1, MD 11C/D, MD 1A/1B, MD 1B, MD 1KHD/HY, MD 2, MD 2B, MD 2HBY, MD 5A, MD 5B/C, MD 6A, MD 6B, MD 7A, MD 7B
PUMP DESCRIPTION	F35B-9 IMPELLER PUMP OEM

PART LIST							
DRAWING POSITION	COMPONENTS	COMPONENT DESCRIPTION	QTY	IMPELLER KIT	WEAR KIT	SHAFT KIT	SCREW KIT
1	01-35096-1	PUMP BODY F35B-9	1				
2	01-45556	SHAFT F35/F4B-9	1			X	
3	08-808B-1	IMPELLER F35 MC 97	1	09-808B-1			
4	01-42910	CAM 1/1 F35B	1		X		
5	01-47761-1	END COVER F35B	1		X		
6	01-43240	GASKET F35B-	1	09-808B-1	X		
7	01-46676	WEAR PLATE F35B-8 SS	1		X		
8	01-42400	PIN F35B-/F7B/F70B	1		X		
10	0.0141.700	SCREW M4X8 ISO1207	4		X		
11	01-46790-01	WASHER D7.5XD4X1 CU	1		X		
12	01-46794-03	SCREW 8-32UNCX8	1		X		
13	0.2233.010	LIP SEAL 12X24X7 DPSM	2		X	X	
14	0.3431.441	BALL BEARING 6001 ST	2			X	
15	0.0371.028	RETAIN. RING BORE D28 DIN472 SPRST	1			X	
17	01-45955	WASHER F35/F4B-9	1		X		
18	01-47826-2	MARKING TAG	1				



ISO VIEW

REVISION HISTORY				
ECN	REV	ECN DESCRIPTION	DATE	SIGN
	P01		22-Nov-2024	M.G

UNLESS OTHERWISE STATED THE FOLLOWING APPLIES:		NAME	DATE	The component or product design and specified according to this drawing must comply with applicable EHS laws and EU-directives	
Ra in µm	FACES WITHOUT TOLERANCES ACC. TO	REVISOR	22-Nov-2024	MASTER	STATUS WorkInProgress
ISO 1302	ISO 2768 - mK	APPROVED	M.G		PROJECTION METHOD ISO 128
		MATERIAL	WEIGHT 0.5 kg	TYPE F35B-9	SCALE 1:1
DIN ISO 13715		PROJECT NUMBER 2652	DESCRIPTION EXPLODED VIEW OFF35B-9 IMPELLER PUMP OEM		
Outside edge	Inside edge	SPXFLOW		DRAWING NUMBER 10-35157-1	
0.25	+0.5	Johnson Pump		REVISION P01	

This Drawing/Document and information shown contains proprietary information of SPX FLOW and must not without permission and written consent be reproduced, copied, transmitted, transferred, disclosed, undue use, shown or handed out to any unauthorized person and is to be maintained in confidence.