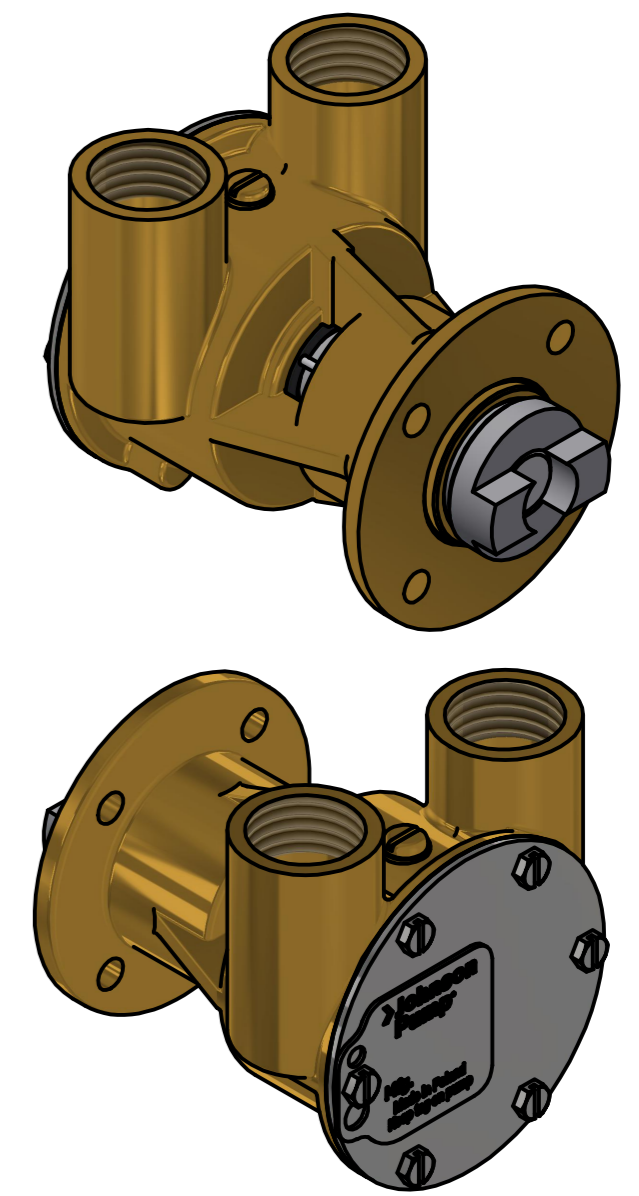
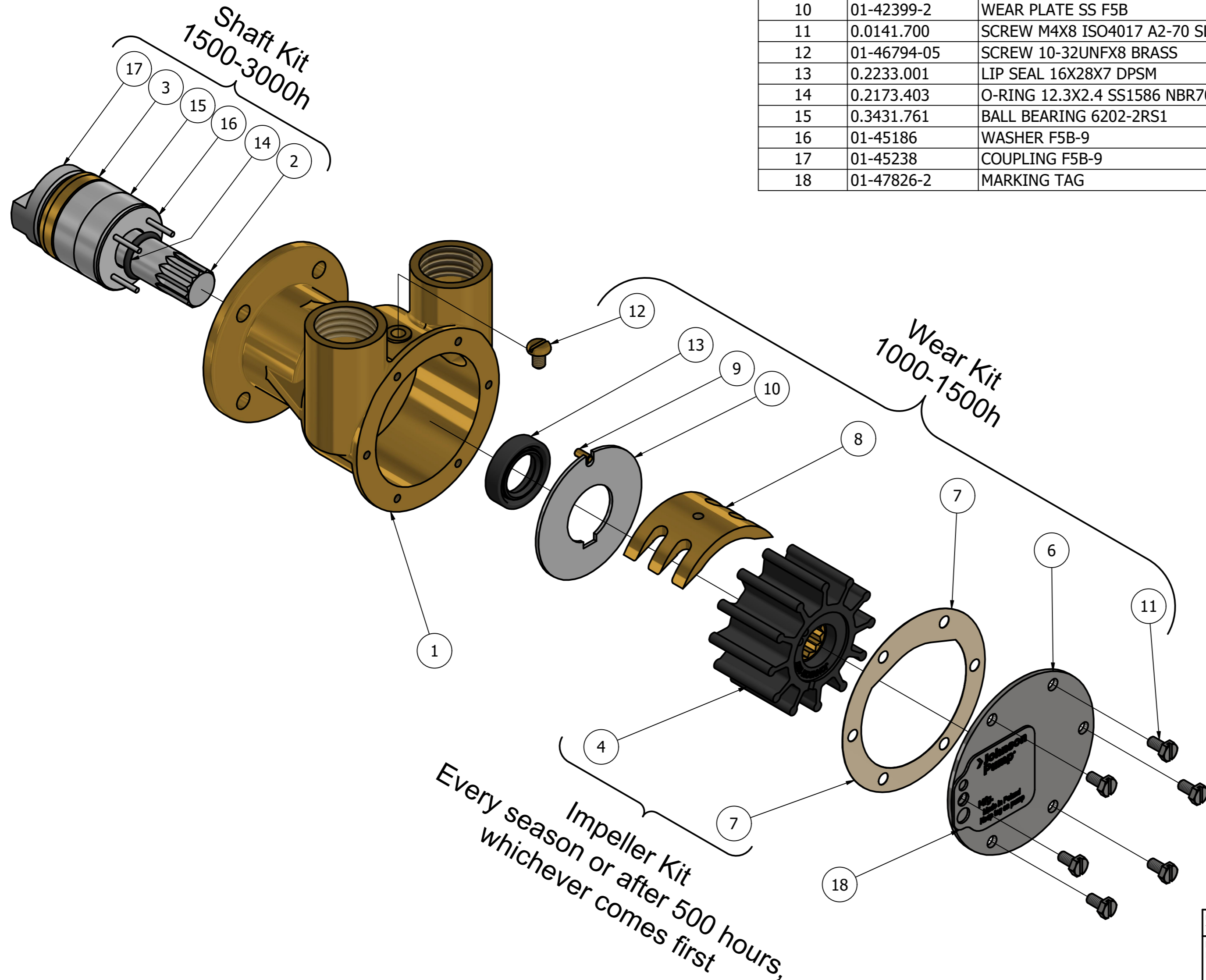


CUSTOMER DETAILS

OEM PUMP PART NO	STM8000
MANUFACTURER	VETUS, DRINKWARD MOTOREN & UNION MOTOR
ENGINE	42-26-21, 52-34-26, 42-26-26, 36-22-11, M 4.14, 52-34-21, & K 3D/4C, KE 75, OM 621/636, OM 615 & 220D
PUMP DESCRIPTION	F5B-9 IMPELLER PUMP OEM

PART LIST

DRAWING POSITION	COMPONENTS	COMPONENT DESCRIPTION	QTY	IMPELLER KIT	WEAR KIT	SHAFT KIT	SCREW KIT
1	01-24115-1	PUMP BODY F5B-9	1				
2	01-45187	SHAFT F5B-9	1			X	
3	01-45024	GUIDE F5B-9	1			X	
4	08-1027B-1	IMPELLER F5 MC 97	1	09-1027B-1			
6	01-47763-1	END COVER F4B-F5B SS	1		X		
7	01-42401	GASKET F5B-	1	09-1027B-1	X		
8	01-42397	CAM 1/1 F5B-	1		X		
9	01-42400	PIN F35B-/F7B/F70B	1		X		
10	01-42399-2	WEAR PLATE SS F5B	1		X		
11	0.0141.700	SCREW M4X8 ISO4017 A2-70 SLOTTED	6		X		
12	01-46794-05	SCREW 10-32UNFX8 BRASS	1		X		
13	0.2233.001	LIP SEAL 16X28X7 DPSM	1		X		
14	0.2173.403	O-RING 12.3X2.4 SS1586 NBR70	1			X	
15	0.3431.761	BALL BEARING 6202-2RS1	2			X	
16	01-45186	WASHER F5B-9	1			X	
17	01-45238	COUPLING F5B-9	1			X	
18	01-47826-2	MARKING TAG	1				



ISO VIEW

REVISION HISTORY				
ECN	REV	ECN DESCRIPTION	DATE	SIGN
	P01		14.02.2025	Shetty N.

UNLESS OTHERWISE STATED THE FOLLOWING APPLIES:		NAME	DATE	The component or product design and specified according to this drawing must comply with applicable EHS laws and EU-directives	
Ra in µm	FACES WITHOUT TOLERANCES ACC. TO ISO 2768 - mK	Shetty N.	14-Feb-2025	MASTER	STATUS WorkInProgress
APPROVED		Shetty N.			PROJECTION METHOD ISO 128
MATERIAL			WEIGHT N/A	TYPE F5B-9	SCALE 1:1.25
DIN ISO 13715		PROJECT NUMBER 2652		DESCRIPTION	
Outside edge	Inside edge			EXPLODED VIEW OF F5B-9 IMPELLER PUMP OEM	
0.25	+0.5	SPXFLOW Johnson Pump		DRAWING NUMBER 10-35100-1	
				REVISION P01	

This Drawing/Document and information shown contains proprietary information of SPX FLOW and must not without permission and written consent be reproduced, copied, transmitted, transferred, disclosed, undue use, shown or handed out to any unauthorized person and is to be maintained in confidence.