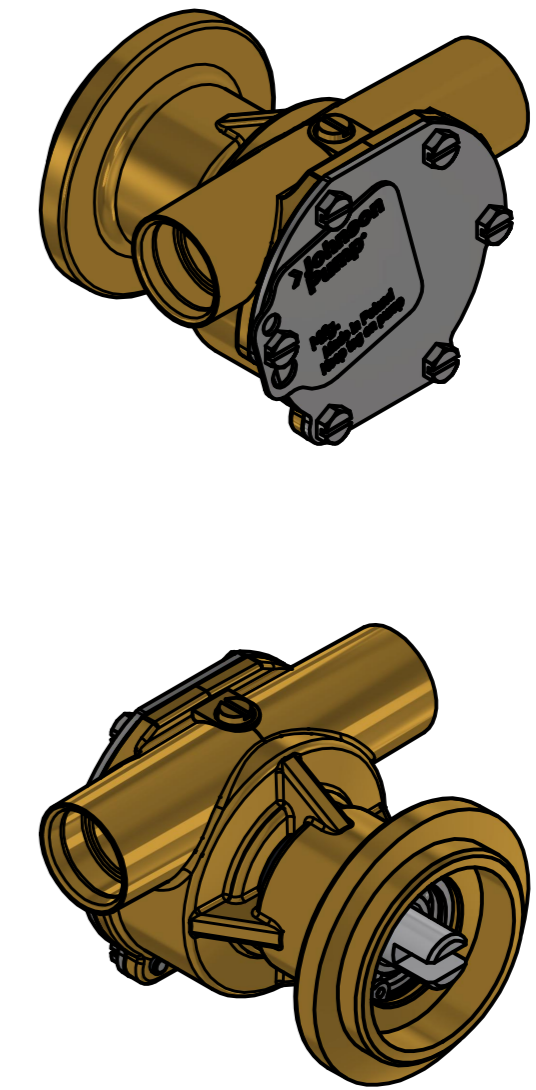
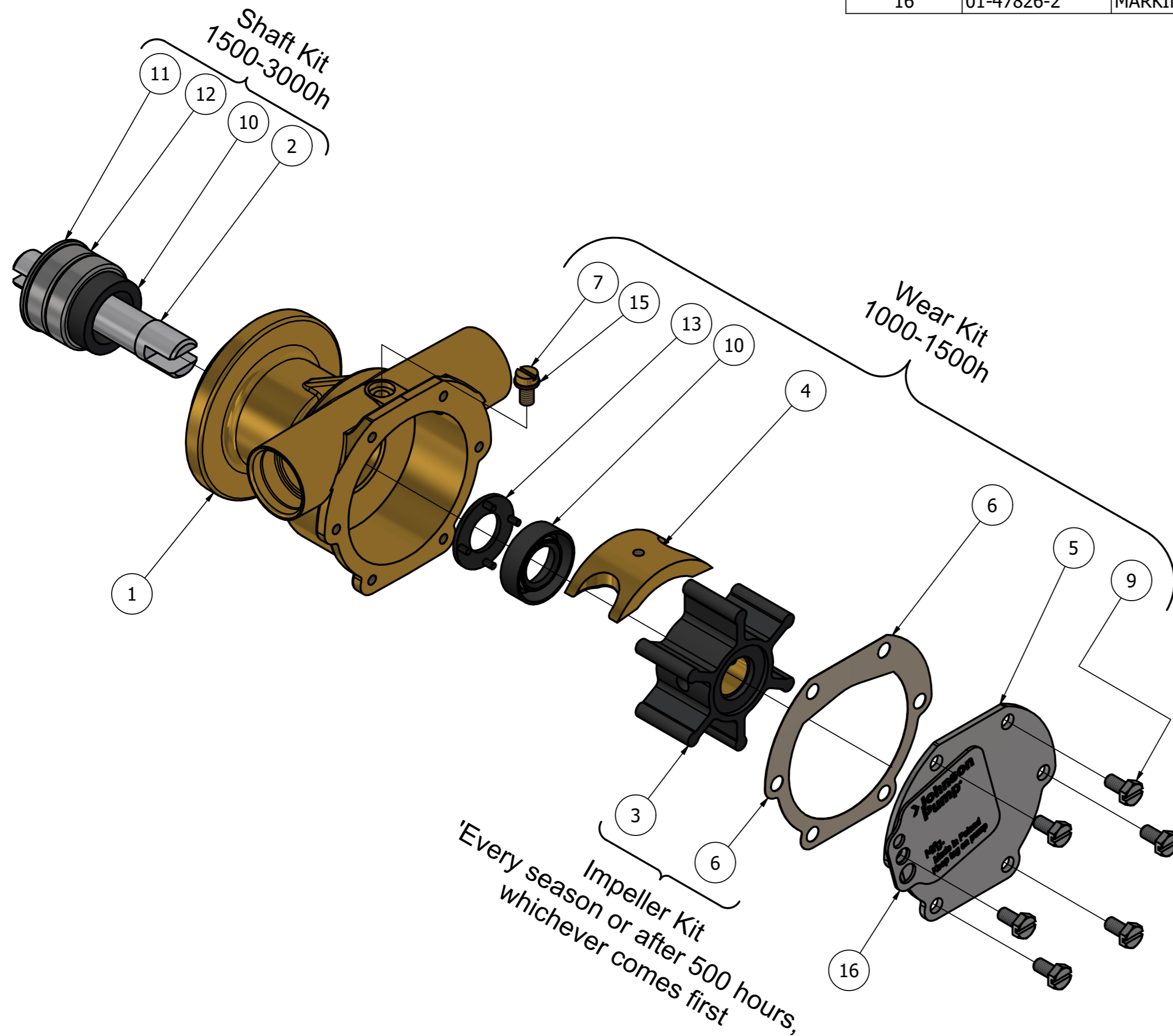


CUSTOMER DETAILS	
OEM PUMP PART NO	829895
MANUFACTURER	VOLVO PENTA
ENGINE	AQ115A;AQ115B;AQ130A;AQ130B;AQ130C;AQ130D;BB115A;BB115B;BB115C;MB20A;MB20B;MB20C;MD17C;MD17D;MD3B;
PUMP DESCRIPTION	F4B-9 IMPELLER PUMP

PART LIST									
DRAWING POSITION	COMPONENTS	COMPONENT DESCRIPTION	QTY	IMPELLER KIT	WEAR KIT	SHAFT KIT	SCREW KIT		
1	01-35099-1	PUMP BODY F4B-9	1						
2	01-45235	SHAFT F4B-9	1			X			
3	08-1026B-1	IMPELLER F4 MC 97	1	09-1026B-1					
4	01-42389	CAM 1/1 F4B	1		X				
5	01-47764-1	END COVER F4B-9	1		X				
6	01-45284	GASKET F4B-9	1	09-1026B-1	X				
7	01-46794-03	SCREW 8-32UNCX8	1		X				
9	0.0141.700	SCREW M4X8 ISO1207	6		X				
10	0.2233.010	LIP SEAL 12X24X7 DPSM	2		X	X			
11	0.0371.028	RETAIN. RING BORE D28 DIN472 SPRST	1			X			
12	0.3431.441	BALL BEARING 6001 ST	2			X			
13	01-45955	WASHER F35/F4B-9	1		X				
15	01-46790-01	WASHER D7.5XD4X1 CU	1		X				
16	01-47826-2	MARKING TAG	1						



ISO VIEW

REVISION HISTORY				
ECN	REV	ECN DESCRIPTION	DATE	SIGN
	P01		22-Nov-2024	

UNLESS OTHERWISE STATED THE FOLLOWING APPLIES:		NAME	DATE	The component or product design and specified according to this drawing must comply with applicable EHS laws and EU-directives	
Ra in µm	FACES WITHOUT TOLERANCES ACC. TO ISO 1302	M.G	22-Nov-2024	MASTER	STATUS WorkInProgress
	ISO 2768 - mK				PROJECTION METHOD ISO 128
				WEIGHT 0.7 kg	TYPE F4B-9
					SCALE 1:1.5
DIN ISO 13715		PROJECT NUMBER 2652		DESCRIPTION EXPLODED VIEW OF F4B-9 IMPELLER PUMP	
Outside edge	Inside edge	SPXFLOW		DRAWING NUMBER 10-35098-3	
0.25	0.5	Johnson Pump		REVISION P01	