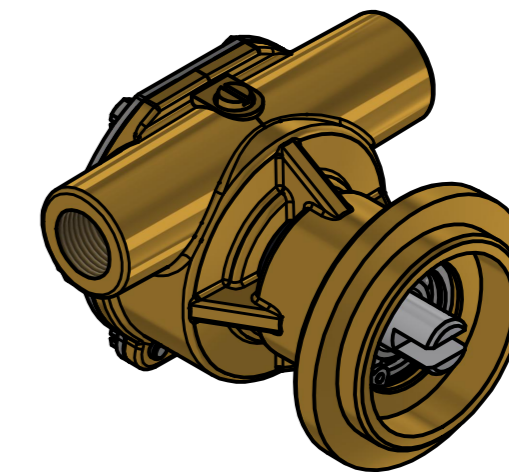
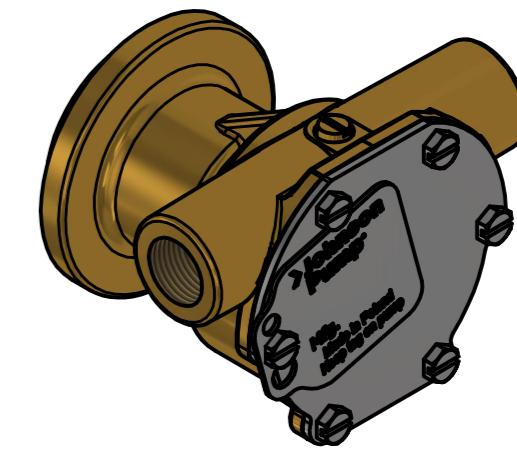
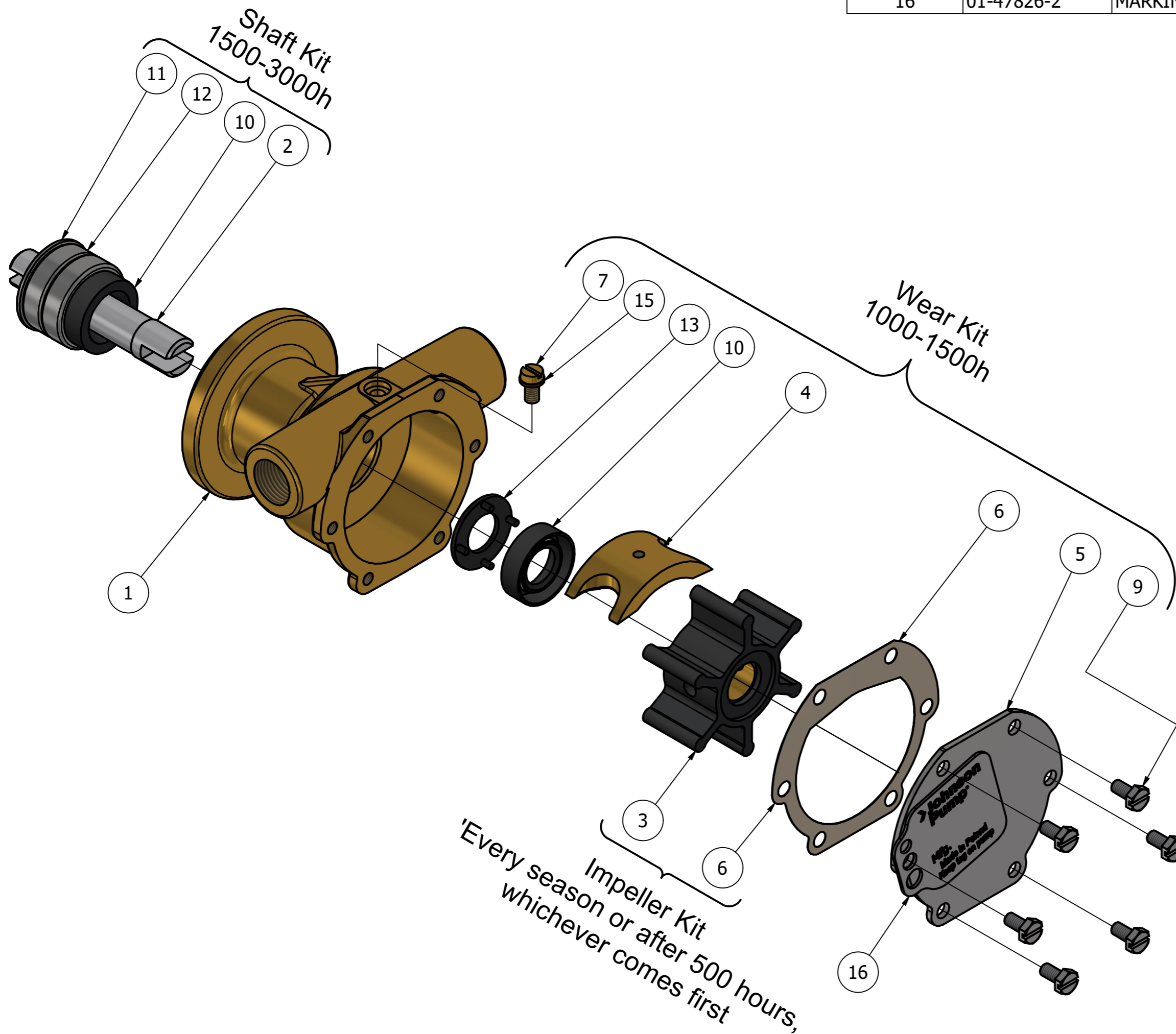


CUSTOMER DETAILS

OEM PUMP PART NO	Miscellaneous
MANUFACTURER	Miscellaneous
ENGINE	Miscellaneous
PUMP DESCRIPTION	F4B-9 IMPELLER PUMP OEM

PART LIST

DRAWING POSITION	COMPONENTS	COMPONENT DESCRIPTION	QTY	IMPELLER KIT	WEAR KIT	SHAFT KIT	SCREW KIT
1	01-35099-2	PUMP BODY F4B-9	1				
2	01-45235	SHAFT F4B-9	1			X	
3	08-1026B-1	IMPELLER F4 MC 97	1	09-1026B-1			
4	01-42389	CAM 1/1 F4B	1		X		
5	01-47764-1	END COVER F4B-9	1		X		
6	01-45284	GASKET F4B-9	1	09-1026B-1	X		
7	01-46794-03	SCREW 8-32UNCX8	1		X		
9	0.0141.700	SCREW M4X8 ISO1207	6		X		
10	0.2233.010	LIP SEAL 12X24X7 DPSM	2		X	X	
11	0.0371.028	RETAIN. RING BORE D28 DIN472 SPRST	1			X	
12	0.3431.441	BALL BEARING 6001 ST	2			X	
13	01-45955	WASHER F35/F4B-9	1		X		
15	01-46790-01	WASHER D7.5XD4X1 CU	1		X		
16	01-47826-2	MARKING TAG	1				



ISO VIEW

REVISION HISTORY				
ECN	REV	ECN DESCRIPTION	DATE	SIGN
	P01		21-Nov-2024	

UNLESS OTHERWISE STATED THE FOLLOWING APPLIES:		NAME	DATE	The component or product design and specified according to this drawing must comply with applicable EHS laws and EU-directives	
Ra in µm	FACES WITHOUT TOLERANCES ACC. TO ISO 1302	M.G	21-Nov-2024	MASTER	STATUS WorkInProgress
	ISO 2768 - mK				PROJECTION METHOD ISO 128
				MATERIAL	TYPE F4B-9
				WEIGHT	N/A
				SCALE	1:1.5
DIN ISO 13715		PROJECT NUMBER	2652	DESCRIPTION	
Outside edge	Inside edge			EXPLODED VIEW OF F4B-9 IMPELLER PUMP OEM	
±0.25	±0.5			DRAWING NUMBER	
				10-35098-2	
				REVISION	
				P01	

This Drawing/Document and information shown contains proprietary information of SPX FLOW and must not without permission and written consent be reproduced, copied, transmitted, transferred, disclosed, undue use, shown or handed out to any unauthorized person and is to be maintained in confidence.