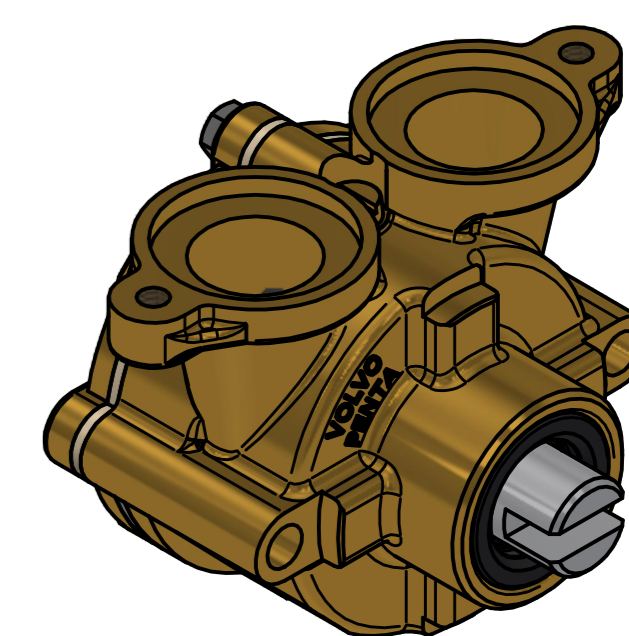
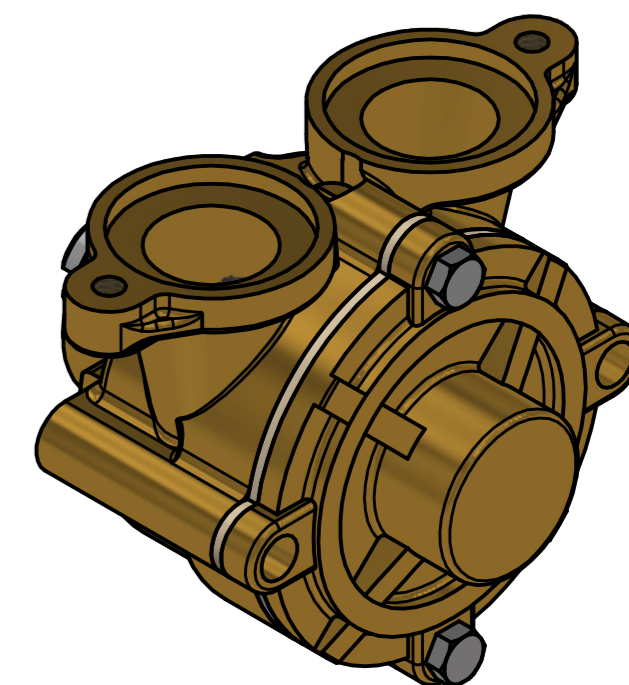
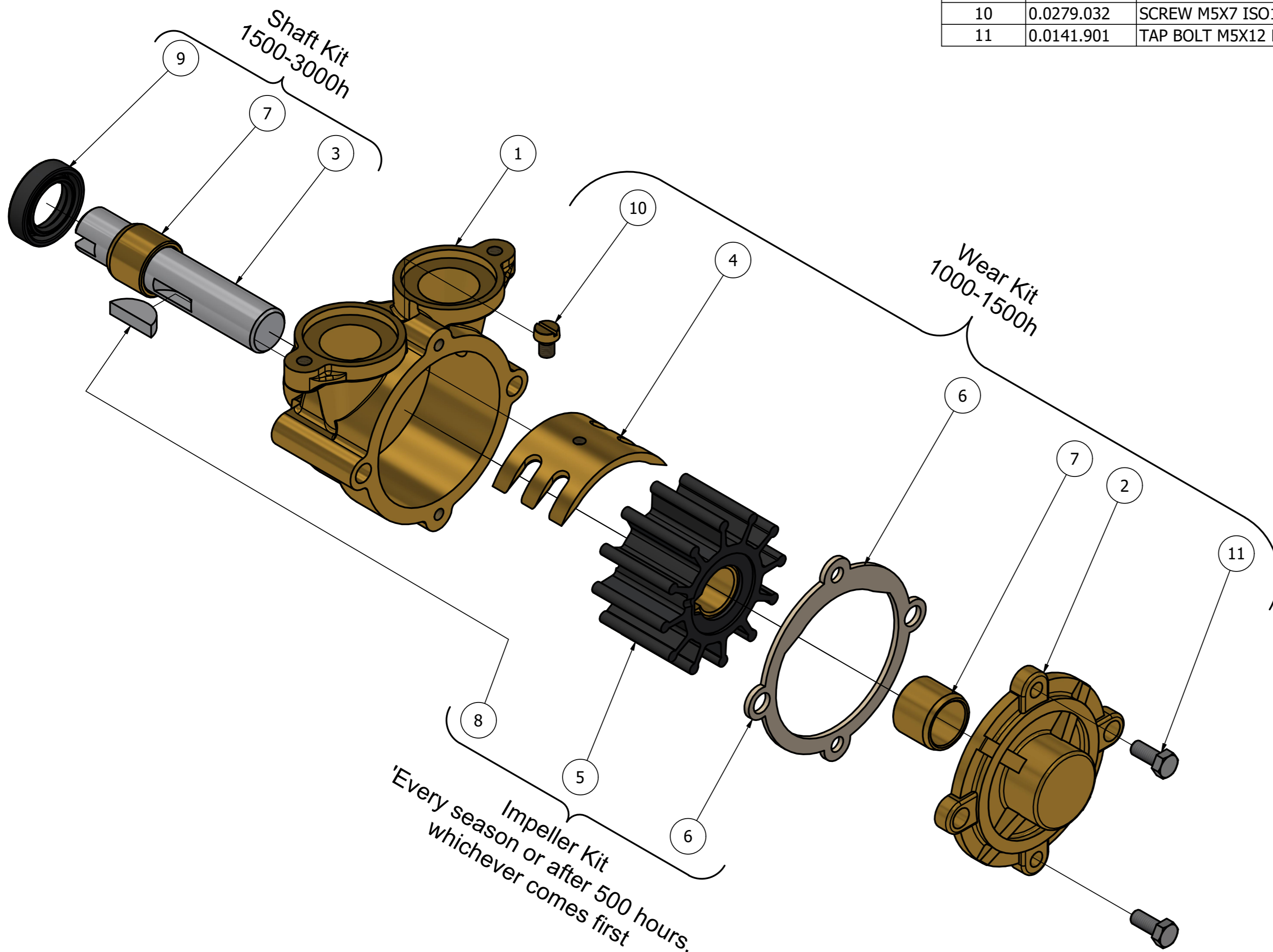


CUSTOMER DETAILS

OEM PUMP PART NO	855578
MANUFACTURER	VOLVO PENTA
ENGINE	230A, 230B, 250A, 250B, AQ120B, AQ125A, AQ140A, BB140A, AQ145A, BB145A, AQ125B, AQ145B, AQ131A, AQ131B, AQ131C, AQ131D, AQ151A, AQ151B, AQ151C
PUMP DESCRIPTION	F5B-902 IMPELLER PUMP

PART LIST

DRAWING POSITION	COMPONENTS	COMPONENT DESCRIPTION	QTY	IMPELLER KIT	WEAR KIT	SHAFT KIT	SCREW KIT
1	01-24030	PUMP BODY F5B-9	1				
2	01-45021	END COVER F5B-902	1		09-47551-108		
3	01-45022	SHAFT F5B-902	1			09-47552-112	
4	01-45014	CAM 1/2 F5B	1		09-47551-108		
5	08-801B	IMPELLER F5 NEOPRENE	1	09-801B			
6	01-45930	GASKET F5B-9	1	09-801B	09-47551-108		
7	01-45023	BUSHING F5B-902	2		09-47551-108	09-47552-112	
8	01-42646	WOODRUFF KEY F5B-9	1	09-801B			
9	0.2233.001	LIP SEAL 16X28X7 DPSM	1			09-47552-112	
10	0.0279.032	SCREW M5X7 ISO1207 BRASS	1		09-47551-108		
11	0.0141.901	TAP BOLT M5X12 DIN933 8.8ZP	2		09-47551-108		



ISO VIEW

Impeller Kit
Every season or after 500 hours,
whichever comes first

This Drawing/Document and information shown contains proprietary information of SPX FLOW and must not without permission and written consent be reproduced, copied, transmitted, transferred, disclosed, undue use, shown or handed out to any unauthorized person and is to be maintained in confidence.

REVISION HISTORY

ECN	REV	ECN DESCRIPTION	DATE	SIGN
	P01		14 Feb 25	M.G

UNLESS OTHERWISE STATED THE FOLLOWING APPLIES:		NAME	DATE	The component or product design and specified according to this drawing must comply with applicable EHS laws and EU-directives	
Ra in µm	FACES WITHOUT TOLERANCES ACC. TO ISO 2768 - mK	N.T.	2/16/2025	MASTER	STATUS WorkInProgress
APPROVED	M.G				PROJECTION METHOD ISO 128
MATERIAL		WEIGHT	1.0 kg	TYPE	F5B-9
		SCALE	1:1.1		
DIN ISO 13715		PROJECT NUMBER	2652	DESCRIPTION	
Outside edge	Inside edge			EXPLODED VIEW OF F5B-902 IMPELLER PUMP	
0.25	0.5			DRAWING NUMBER	
				10-32621-13	
				REVISION	
				P01	