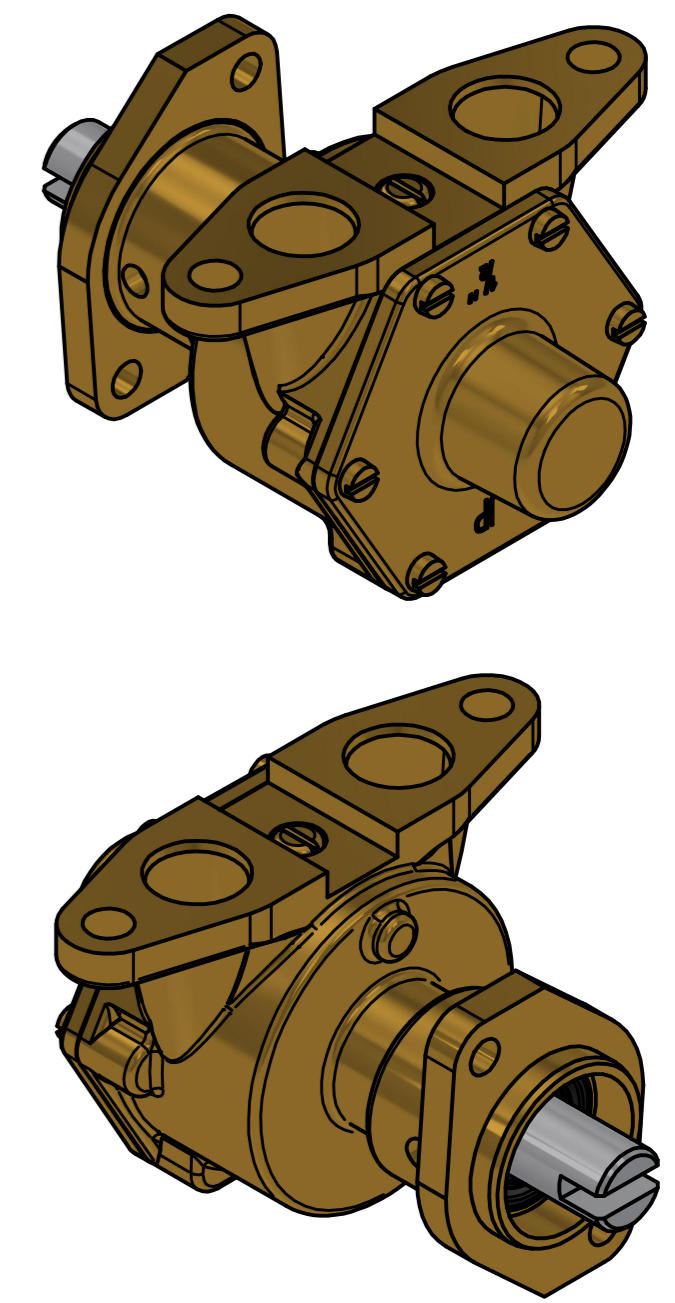
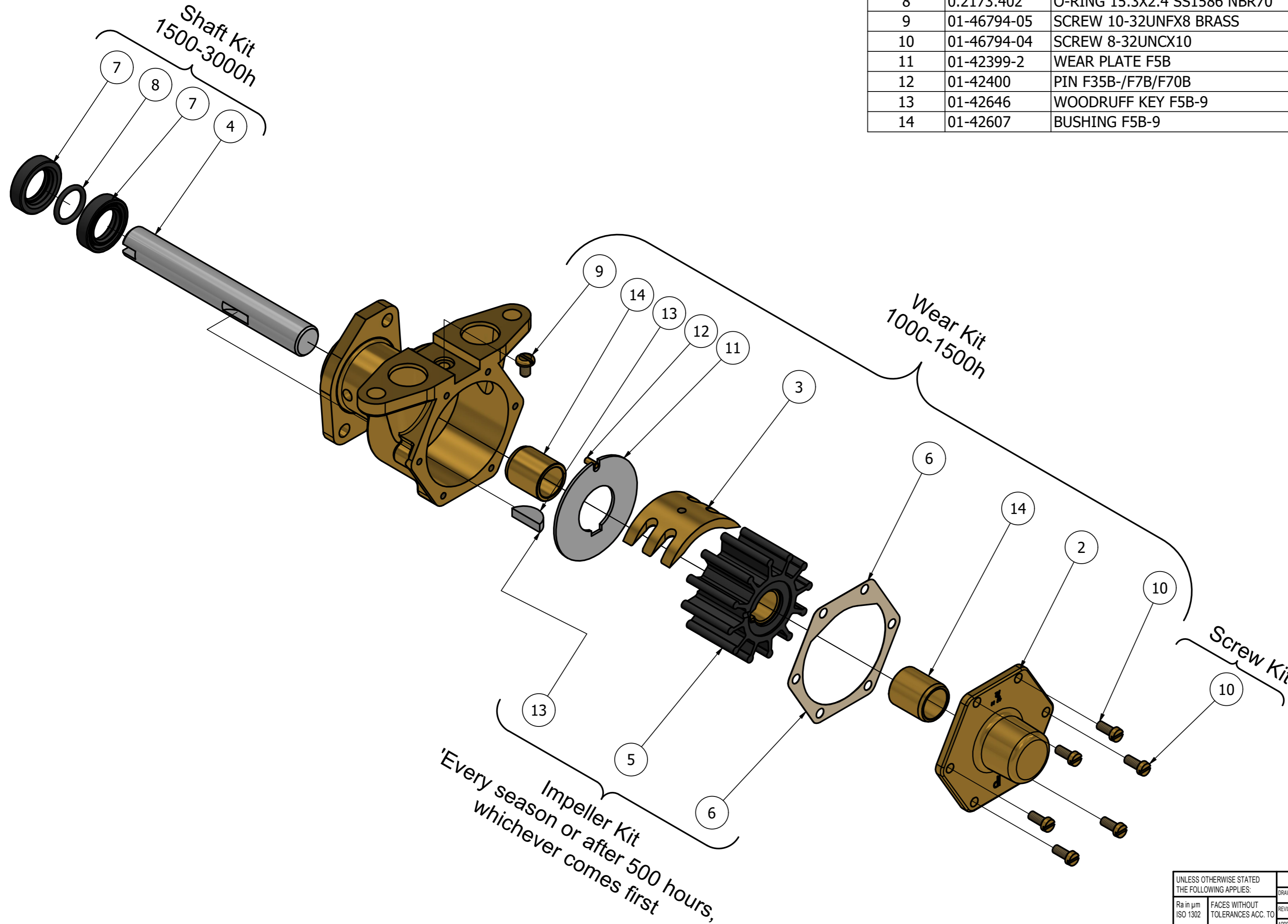


CUSTOMER DETAILS

OEM PUMP PART NO	831178
MANUFACTURER	VOLVO PENTA
ENGINE	AQD21A, AQD21A, AQD21B, AQD21B, MD21A, MD21A, MD21B, MD21B, AQ115A, AQ115B, AQ130A, AQ130B, AQ130C, AQ130D, AQ165A, AQ165A, AQ170A, AQ170A, AQ170B, AQ170B, AQ170C, AQ170C, B20, BB115A, BB115B, BB115C, BB165A, BB165A, BB170A, BB170A, BB170B, BB170B, BB170C, BB170C, MB20A, MB20B, MB20C
PUMP DESCRIPTION	F5B-9 IMPELLER PUMP

PART LIST

DRAWING POSITION	COMPONENTS	COMPONENT DESCRIPTION	QTY	IMPELLER KIT	WEAR KIT	SHAFT KIT	SCREW KIT
1	01-21956	PUMP BODY F5B-9	1				
2	01-32064	END COVER F5B-9	1		09-47808		
3	01-42397	CAM 1/1 F5B-	1		09-47808		
4	01-42644	SHAFT F5B-9	1			09-47809	
5	08-801B	IMPELLER F5 NEOPRENE	1	09-801B			
6	01-42636	GASKET F5B-9	1	09-801B	09-47808		
7	0.2233.001	LIP SEAL 16X28X7 DPSM	2		09-47808	09-47809	
8	0.2173.402	O-RING 15.3X2.4 SS1586 NBR70	1			09-47809	
9	01-46794-05	SCREW 10-32UNFX8 BRASS	1		09-47808		
10	01-46794-04	SCREW 8-32UNCX10	6		09-47808		09-47553-102
11	01-42399-2	WEAR PLATE F5B	1		09-47808		
12	01-42400	PIN F35B-/F7B/F70B	1		09-47808		
13	01-42646	WOODRUFF KEY F5B-9	1	09-801B	09-47808		
14	01-42607	BUSHING F5B-9	2		09-47808		



ISO VIEW

This Drawing/Document and information shown contains proprietary information of SPX FLOW and must not without permission and written consent be reproduced, copied, transmitted, transferred, disclosed, undue use, shown or handed out to any unauthorized person and is to be maintained in confidence.

REVISION HISTORY				
ECN	REV	ECN DESCRIPTION	DATE	SIGN
	P01		14 Feb 25	M.G

UNLESS OTHERWISE STATED THE FOLLOWING APPLIES:		NAME	DATE	The component or product design and specified according to this drawing must comply with applicable EHS laws and EU-directives	
Ra in µm	FACES WITHOUT TOLERANCES ACC. TO ISO 2768 - mK	M.G	16-Feb-2025	MASTER	STATUS WorkInProgress
APPROVED	M.G				PROJECTION METHOD ISO 128
MATERIAL		WEIGHT	1.3 kg	TYPE	F5B-9
PROJECT NUMBER	2652	SCALE	1:1.3		
DIN ISO 13715 Outside edge Ra 0.25 Inside edge Ra 0.5		SPXFLOW Johnson Pump		DESCRIPTION EXPLODED VIEW OF F5B-9 IMPELLER PUMP	
				DRAWING NUMBER	10-32058-11
				REVISION	P01