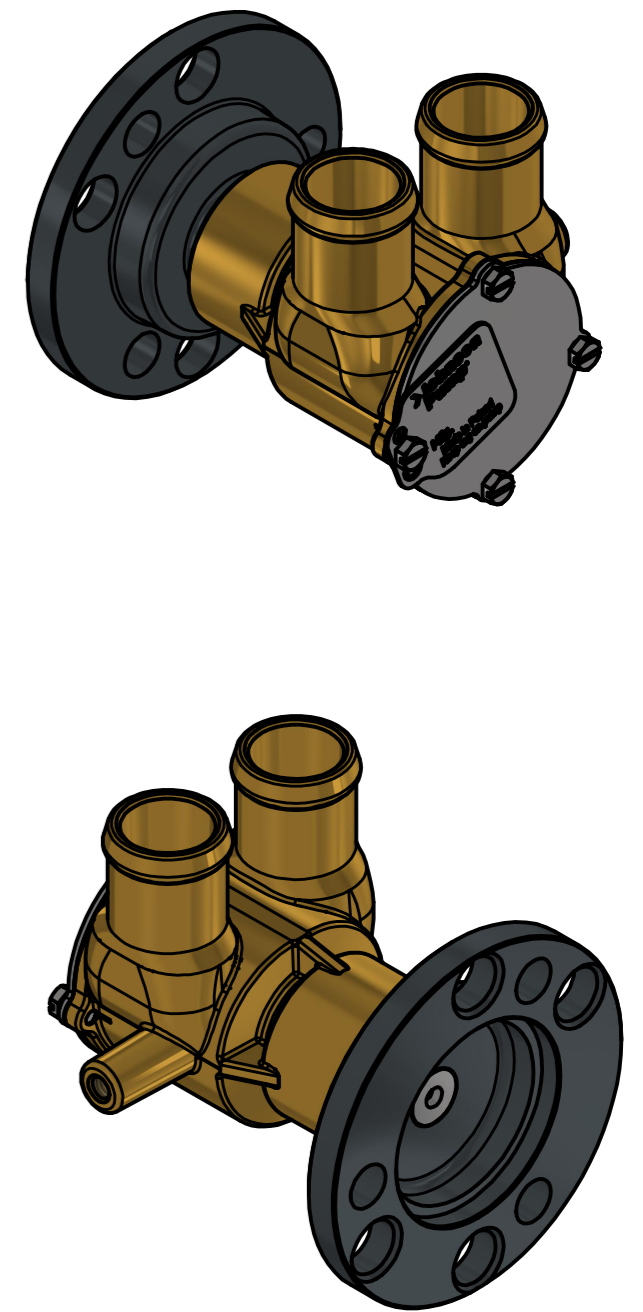
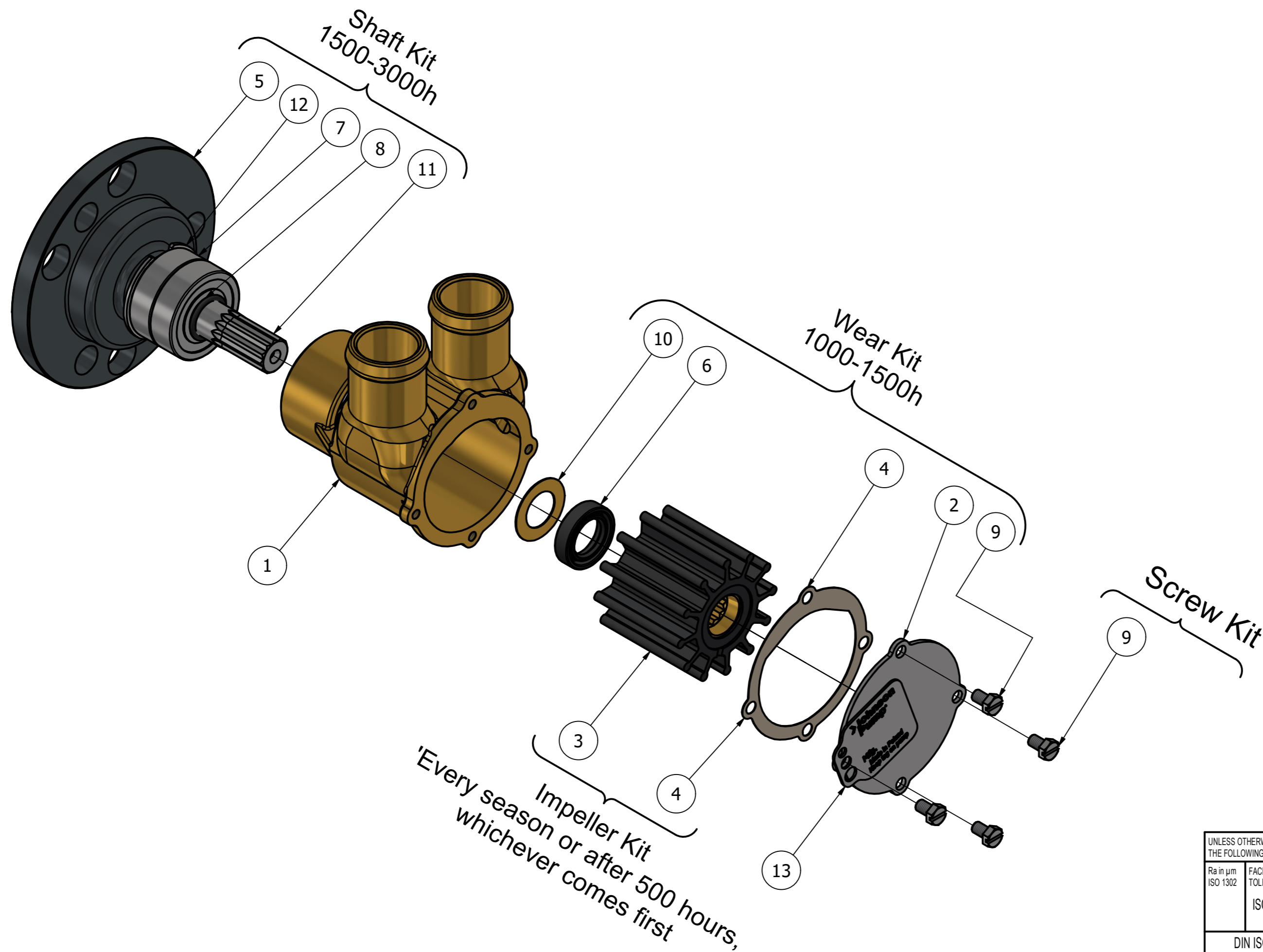


CUSTOMER DETAILS	
OEM PUMP PART NO	685001-4
MANUFACTURER	INDMAR
ENGINE	5.7L Indmar LTR & LT5
PUMP DESCRIPTION	F6B-9 IMPELLER PUMP OEM

		PART LIST						
DRAWING POSITION	COMPONENTS	COMPONENT DESCRIPTION	QTY	IMPELLER KIT	WEAR KIT	SHAFT KIT	SCREW KIT	
1	01-24945-1	PUMP BODY F6B-9	1					
2	01-47765-1	END COVER F5B/F6B-9	1		09-47777			
3	08-812BT-1	IMPELLER F6 MC 97 THREAD	1	09-812BT-1				
4	01-45315	GASKET F5B/F6B-9	1	09-812BT-1	09-47777			
5	01-35199	CARRIER F5/F6/F7B-9	1			09-47778		
6	0.2233.001	LIP SEAL 16X28X7 DPSM	1		09-47777			
7	0.3431.742	BALL BEARING 6203-2RSH	2			09-47778		
8	0.2173.402	O-RING 15.3X2.4 SS1586 NBR70	1			09-47778		
9	0.0141.505	SCREW M5X8 ISO4017 (A2) SLOTTED	4		09-47777		X	
10	01-45680	WASHER F5B/F6B/F7B	1		09-47777			
11	01-45681	SHAFT F5B/F6B-9	1			09-47778		
12	0.0371.040	RETAIN. RING BORE D40 DIN472 SPRST	1			09-47778		
13	01-47826-2	MARKING TAG	1					



ISO VIEW

REVISION HISTORY				
ECN	REV	ECN DESCRIPTION	DATE	SIGN
	P01		20-Nov-2024	M.G

UNLESS OTHERWISE STATED THE FOLLOWING APPLIES:		NAME	DATE	The component or product design and specified according to this drawing must comply with applicable EHS laws and EU-directives	
Ra in µm	FACES WITHOUT TOLERANCES ACC. TO	M.G	20-Nov-2024	MASTER	STATUS WorkInProgress
ISO 1302	ISO 2768 - mK	M.G			PROJECTION METHOD ISO 128
		MATERIAL	WEIGHT 1.9 kg	TYPE F6B-9	SCALE 1:2
DIN ISO 13715		PROJECT NUMBER 2652	DESCRIPTION EXPLODED VIEW OF F6B-9 IMPELLER PUMP OEM		
Outside edge	Inside edge			DRAWING NUMBER 10-24946-01	REVISION P01
0.25	+0.5				