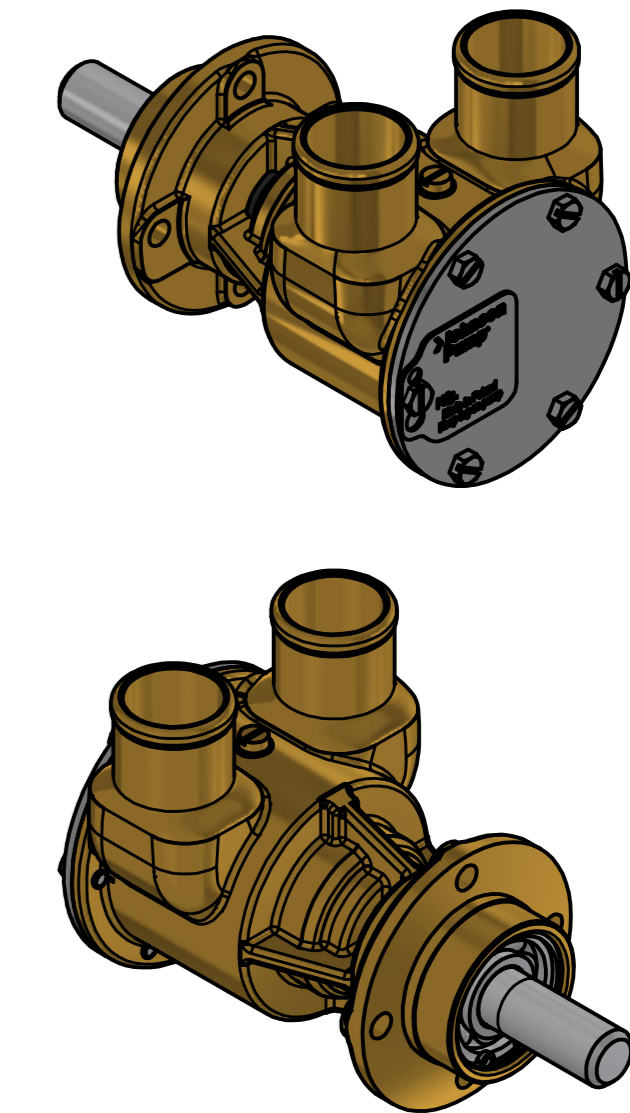
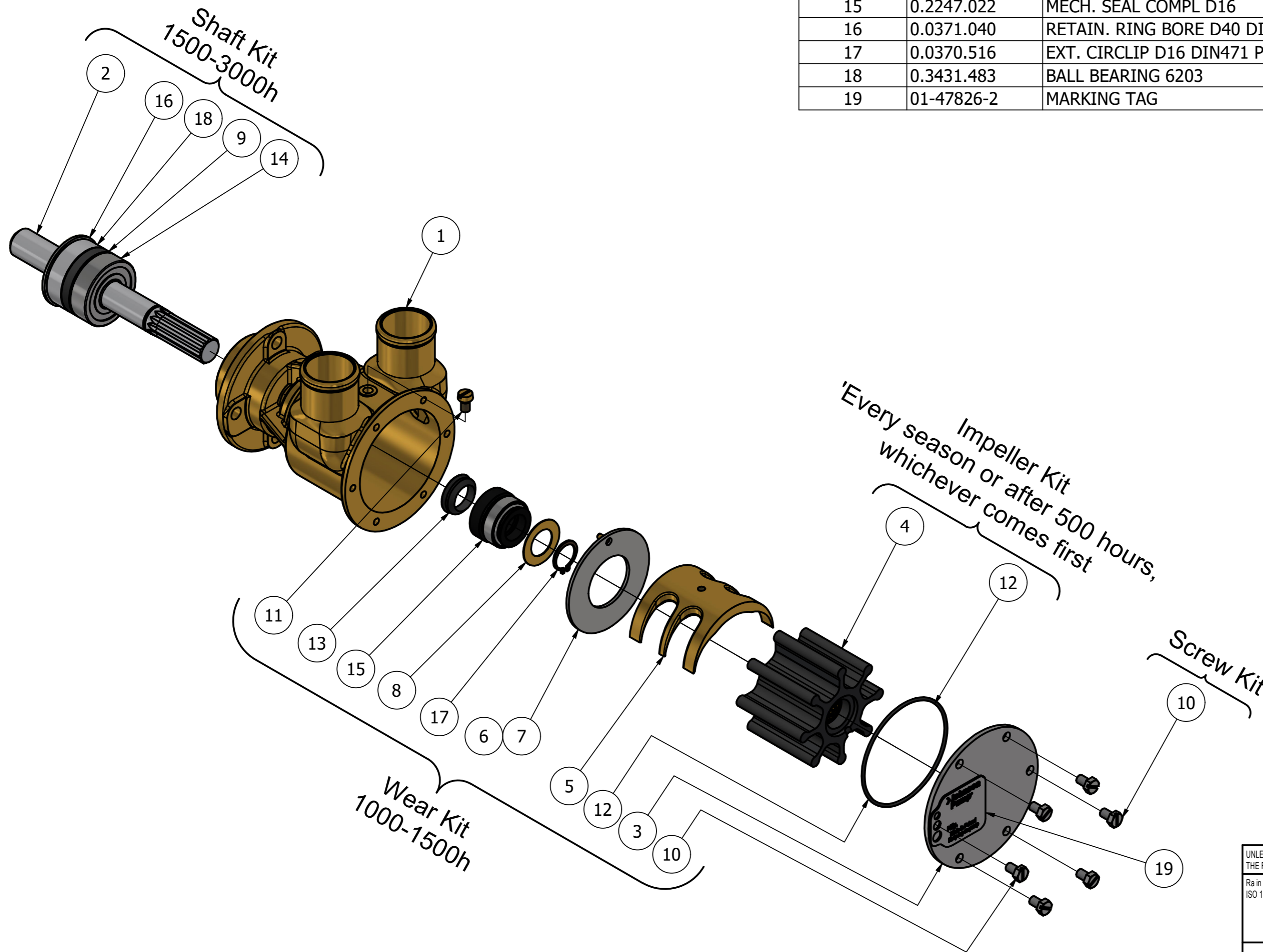


CUSTOMER DETAILS

|                  |                     |
|------------------|---------------------|
| OEM PUMP PART NO | 970316373           |
| MANUFACTURER     | NANNI DIESEL        |
| ENGINE           | N4.115, N4.140      |
| PUMP DESCRIPTION | F7B-9 IMPELLER PUMP |

PART LIST

| DRAWING POSITION | COMPONENTS  | COMPONENT DESCRIPTION              | QTY | IMPELLER KIT | WEAR KIT    | SHAFT KIT | SCREW KIT    |
|------------------|-------------|------------------------------------|-----|--------------|-------------|-----------|--------------|
| 1                | 01-13583    | PUMP BODY F7B-9 WITH MECH.SEAL     | 1   |              |             |           |              |
| 2                | 01-36281    | SHAFT F7B-9                        | 1   |              |             | 09-47791  |              |
| 3                | 01-47769-2  | END COVER F7B                      | 1   |              | 09-47790-02 |           |              |
| 4                | 08-1028BT-1 | IMPELLER F7 MC 97 THREAD           | 1   | 09-1028BT-1  |             |           |              |
| 5                | 01-46899    | CAM 1/1 F7B                        | 1   |              | 09-47790-02 |           |              |
| 6                | 01-42400    | PIN F35B-/F7B/F70B                 | 1   |              | 09-47790-02 |           |              |
| 7                | 01-46798-2  | WEAR PLATE F7B                     | 1   |              | 09-47790-02 |           |              |
| 8                | 01-45680    | WASHER F5B/F6B/F7B                 | 1   |              | 09-47790-02 |           |              |
| 9                | 0.2233.407  | LIP SEAL 17X40X6 NBR               | 1   |              |             | 09-47791  |              |
| 10               | 0.0141.505  | SCREW M5X8 ISO4017 (A2) SLOTTED    | 6   |              | 09-47790-02 |           | 09-47553-105 |
| 11               | 0.0279.301  | SCREW M5X8 ISO1207 BRASS           | 1   |              | 09-47790-02 |           |              |
| 12               | 0.2172.012  | O-RING 63.22X1.78 NBR70            | 1   | 09-1028BT-1  | 09-47790-02 |           |              |
| 13               | 0.2230.015  | V-RING 15.5-17.5 NBR/65SH          | 1   |              | 09-47790-02 |           |              |
| 14               | 0.3431.742  | BALL BEARING 6203-2RSH             | 1   |              |             | 09-47791  |              |
| 15               | 0.2247.022  | MECH. SEAL COMPL D16               | 1   |              | 09-47790-02 |           |              |
| 16               | 0.0371.040  | RETAIN. RING BORE D40 DIN472 SPRST | 1   |              |             | 09-47791  |              |
| 17               | 0.0370.516  | EXT. CIRCLIP D16 DIN471 PHB        | 1   |              | 09-47790-02 |           |              |
| 18               | 0.3431.483  | BALL BEARING 6203                  | 1   |              |             | 09-47791  |              |
| 19               | 01-47826-2  | MARKING TAG                        | 1   |              |             |           |              |



ISO VIEW

| REVISION HISTORY |     |                 |             |      |
|------------------|-----|-----------------|-------------|------|
| ECN              | REV | ECN DESCRIPTION | DATE        | SIGN |
|                  | P01 |                 | 19-Nov-2024 | M.G  |

|  |  |                         |             |  |                           |
|--|--|-------------------------|-------------|--|---------------------------|
| UNLESS OTHERWISE STATED THE FOLLOWING APPLIES: |  | NAME                    | DATE        | The component or product design and specified according to this drawing must comply with applicable EHS laws and EU-directives |                           |
| Ra in µm                                       | FACES WITHOUT TOLERANCES ACC. TO ISO 2768 - mK | M.G                     | 19-Nov-2024 | MASTER   | STATUS WorkInProgress     |
| APPROVED                                       | M.G  |                         |             |  | PROJECTION METHOD ISO 128 |
| MATERIAL                                       | WEIGHT 2.1 kg                                  |                         |             |  | TYPE F7B-9                |
| DIN ISO 13715                                  |  | PROJECT NUMBER 2652     |             |  | SCALE 1:2                 |
| Outside edge                                   | Inside edge                                    | DESCRIPTION             |             | EXPLODED VIEW OF F7B-9 IMPELLER PUMP   |                           |
| 0.25   | 0.5  | SPXFLOW<br>Johnson Pump |             | DRAWING NUMBER 10-24904-12   |                           |
|  |  |                         |             |  | REVISION P01              |

This Drawing/Document and information shown contains proprietary information of SPX FLOW and must not without permission and written consent be reproduced, copied, transmitted, transferred, disclosed, undue use, shown or handed out to any unauthorized person and is to be maintained in confidence.