

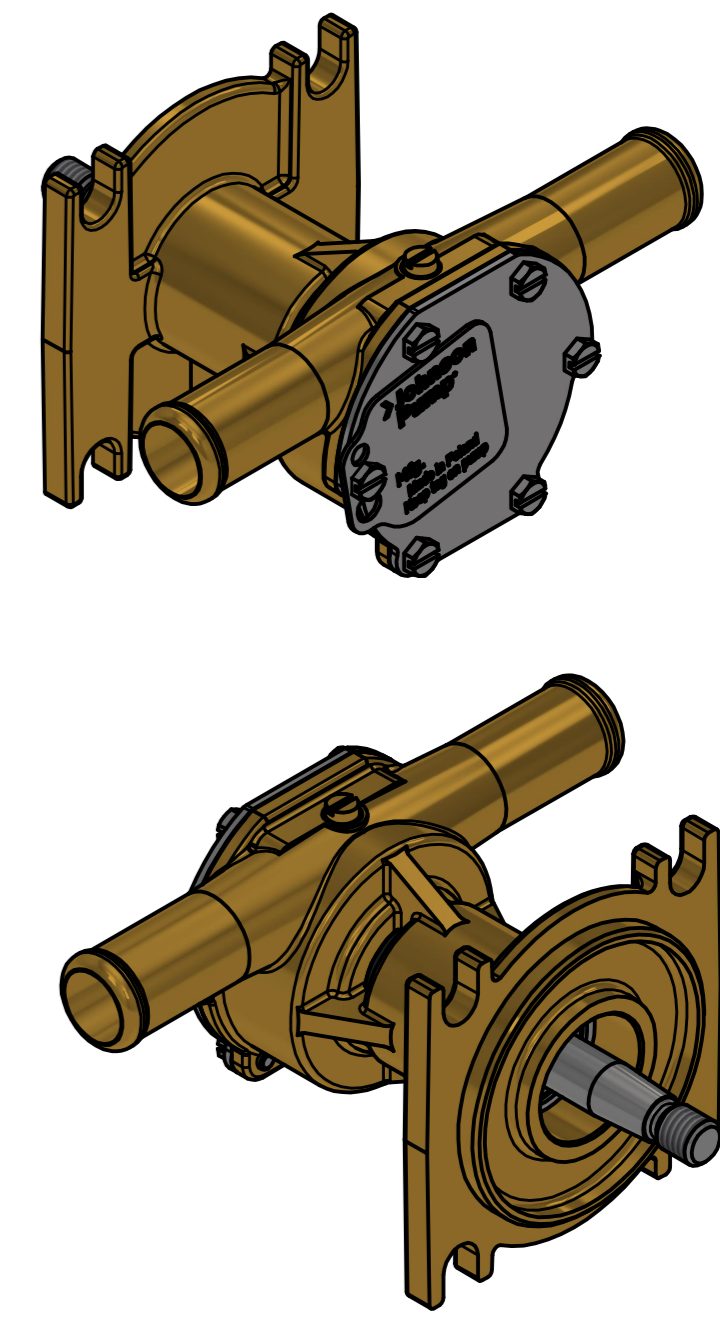
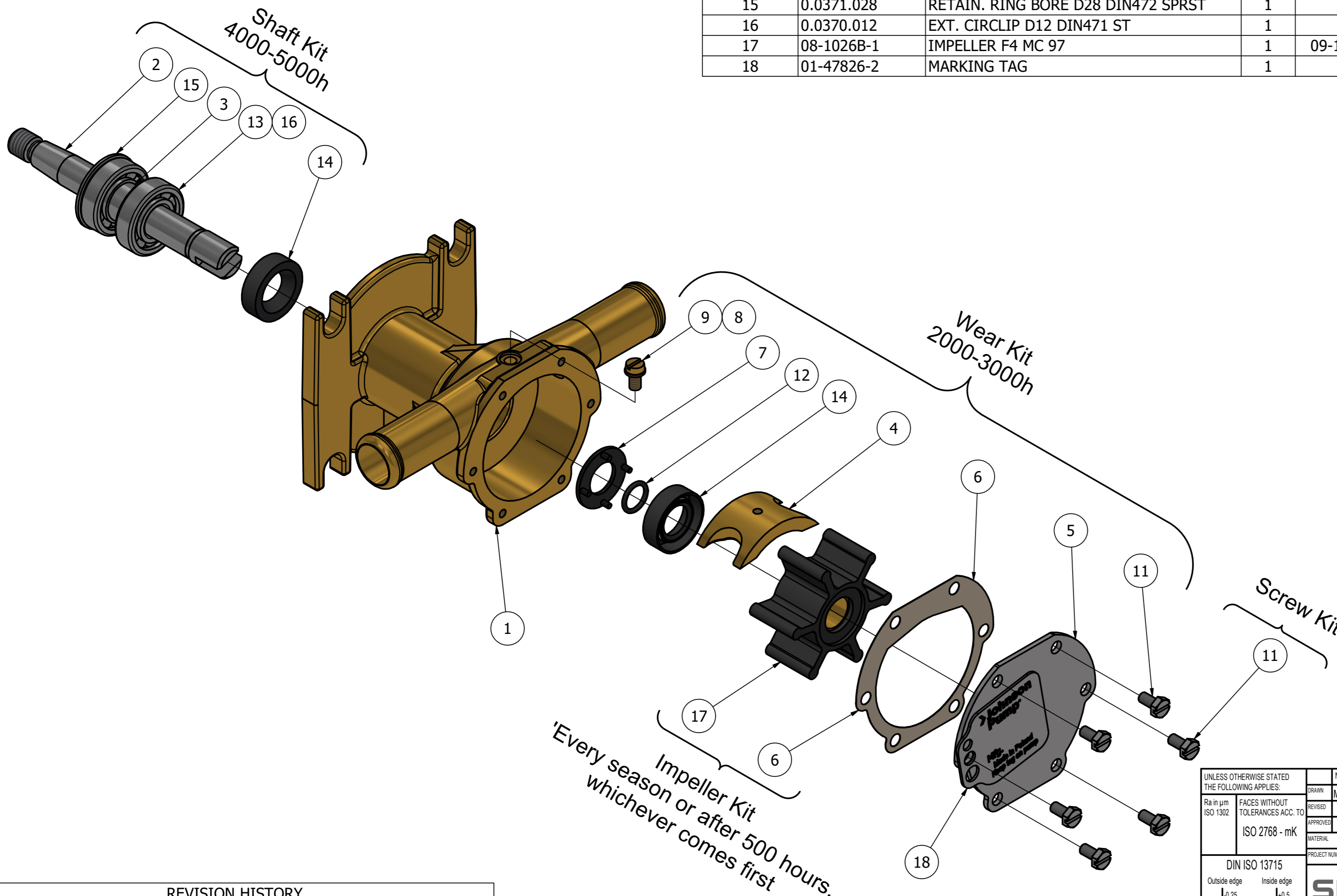
This Drawing/Document and information shown contains proprietary information of SPX FLOW and must not without permission and written consent be reproduced, copied, transmitted, transferred, disclosed, undue use, shown or handed out to any unauthorized person and is to be maintained in confidence.

CUSTOMER DETAILS

OEM PUMP PART NO	3593655
MANUFACTURER	VOLVO PENTA & PERKINS
ENGINE	D1-30, D1-30B, D1-30F, D2-40, D2-40B, D2-40F, MD2010-C, MD2010-D, MD2020-C, MD2020-D, MD2030, MD2030-C, MD2030-D, MD2030B, MD2040, MD2040-C, MD2040-D, MD2040B
PUMP DESCRIPTION	F4B-9 IMPELLER PUMP

PART LIST

DRAWING POSITION	COMPONENTS	COMPONENT DESCRIPTION	QTY	IMPELLER KIT	WEAR KIT	SHAFT KIT	SCREW KIT
1	01-24483-1	PUMP BODY F4B-9 (ISM)	1				
2	01-46491	SHAFT F4B-9	1			09-47552-103	
3	01-46496	SPACER	1			09-47552-103	
4	01-42389	CAM 1/1 F4B	1		09-47551-102		
5	01-47764-1	END COVER F4B-9	1		09-47551-102		
6	01-45284	GASKET F4B-9	1	09-1026B-1	09-47551-102		
7	01-45955	WASHER F35/F4B-9	1		09-47551-102		
8	01-46790-01	WASHER D7,5XD4X1 CU	1		09-47551-102		
9	01-46794-03	SCREW 8-32UNCX8	1		09-47551-102		
11	0.0141.700	SCREW M4X8 ISO4017 A2-70 SLOTTED	6		09-47551-102		09-47553-101
12	0.2173.401	O-RING 11.1X1.6 SS1586 NBR70	1		09-47551-102		
13	0.3431.441	BALL BEARING 6001 ST	2			09-47552-103	
14	0.2233.010	LIP SEAL 12X24X7 DPSM	2		09-47551-102	09-47552-103	
15	0.0371.028	RETAIN. RING BORE D28 DIN472 SPRST	1			09-47552-103	
16	0.0370.012	EXT. CIRCLIP D12 DIN471 ST	1			09-47552-103	
17	08-1026B-1	IMPELLER F4 MC 97	1	09-1026B-1			
18	01-47826-2	MARKING TAG	1				



ISO VIEW

REVISION HISTORY				
ECN	REV	ECN DESCRIPTION	DATE	SIGN
	P01			

UNLESS OTHERWISE STATED THE FOLLOWING APPLIES:		NAME	DATE	The component or product design and specified according to this drawing must comply with applicable EHS laws and EU-directives	
Ra in µm ISO 1302	FACES WITHOUT TOLERANCES ACC. TO ISO 2768 - mK	M.G	19-Nov-2024	MASTER	STATUS WorkInProgress
DIN ISO 13715 Outside edge 0.25 Inside edge 0.5		MATERIAL	WEIGHT N/A	TYPE F4B-9	SCALE 1:1.5
PROJECT NUMBER 2652			DESCRIPTION EXPLODED VIEW OF F4B-9 IMPELLER PUMP		
				DRAWING NUMBER 10-24752-11	
					REVISION P01