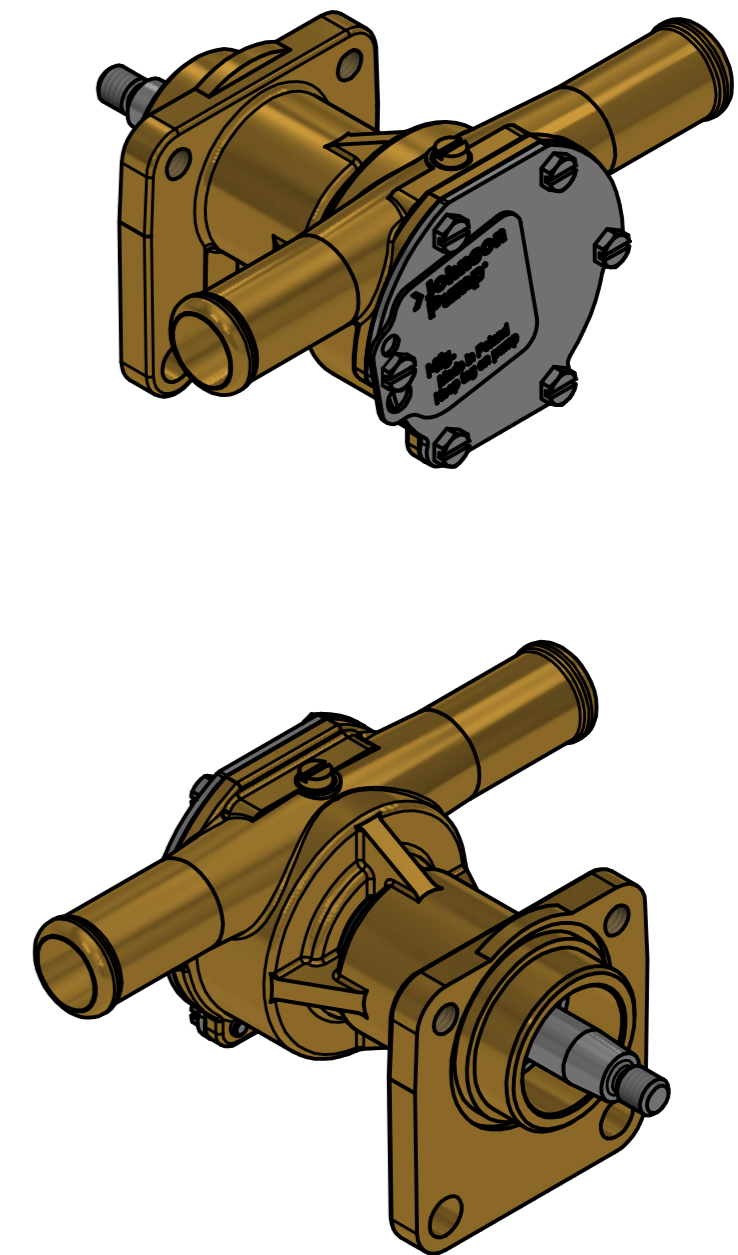
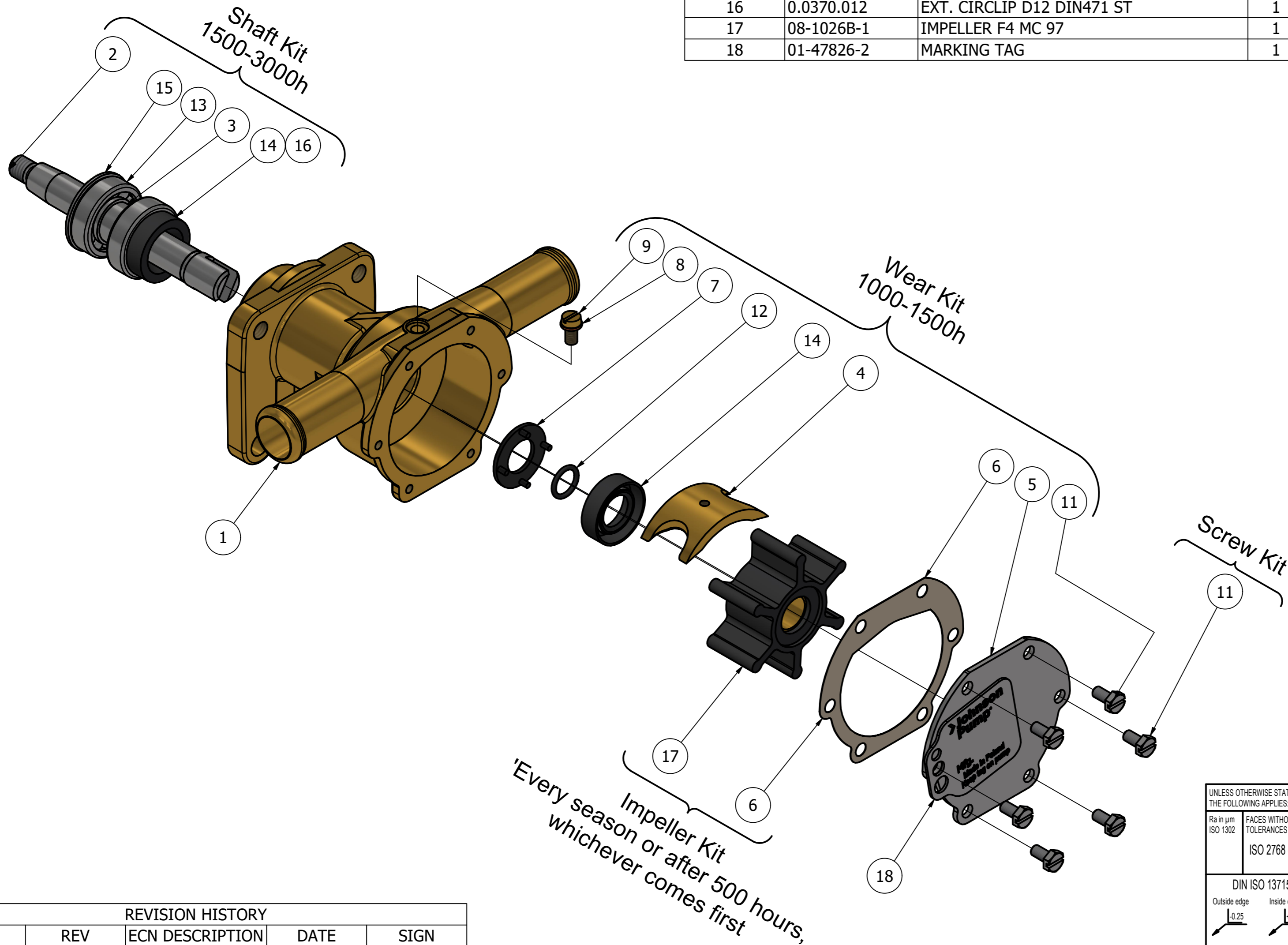


CUSTOMER DETAILS	
OEM PUMP PART NO	3593654
MANUFACTURER	VOLVO PENTA & PERKINS
ENGINE	D1-13, D1-13B, D1-13F, D1-20, D1-20B, D1-20F, MD2010, MD2010-C, MD2010-D, MD2010B, MD2020, MD2020-C, MD2020-D, MD2020B, MD2030-C, MD2030-D, MD2040-C, MD2040-D
PUMP DESCRIPTION	F4B-903 IMPELLER PUMP OEM

		PART LIST						
DRAWING POSITION	COMPONENTS	COMPONENT DESCRIPTION	QTY	IMPELLER KIT	WEAR KIT	SHAFT KIT	SCREW KIT	
1	01-24482-1	PUMP BODY F4B-9 (ISM)	1					
2	01-46492	SHAFT F4B-9	1			09-47552-102		
3	01-46496	SPACER	1			09-47552-102		
4	01-45288	CAM 2/3 F4B-803/-903	1		09-47551-102			
5	01-47764-1	END COVER F4B-9	1		09-47551-102			
6	01-45284	GASKET F4B-9	1	09-1026B-1	09-47551-102			
7	01-45955	WASHER F35/F4B-9	1		09-47551-102			
8	01-46790-01	WASHER D7.5XD4X1 CU	1		09-47551-102			
9	01-46794-03	SCREW 8-32UNCX8	1		09-47551-102			
11	0.0141.700	TAP BOLT M4X8 ISO4017 A2-70	6		09-47551-102		09-47553-101	
12	0.2173.401	O-RING 11.1X1.6 SS1586 NBR70	1		09-47551-102			
13	0.3431.441	BALL BEARING 6001 ST	2			09-47552-102		
14	0.2233.010	LIP SEAL 12X24X7 DPSM	2		09-47551-102	09-47552-102		
15	0.0371.028	RETAIN. RING BORE D28 DIN472 SPRST	1			09-47552-102		
16	0.0370.012	EXT. CIRCLIP D12 DIN471 ST	1			09-47552-102		
17	08-1026B-1	IMPELLER F4 MC 97	1	09-1026B-1				
18	01-47826-2	MARKING TAG	1					



ISO VIEW

REVISION HISTORY				
ECN	REV	ECN DESCRIPTION	DATE	SIGN
	P01		18-Nov-2024	

UNLESS OTHERWISE STATED THE FOLLOWING APPLIES:		NAME	DATE	The component or product design and specified according to this drawing must comply with applicable EHS laws and EU-directives	
Ra in µm	FACES WITHOUT TOLERANCES ACC. TO ISO 2768 - mK	M.G	11/18/2024	MASTER	STATUS WorkInProgress
ISO 1302					PROJECTION METHOD ISO 128
				WEIGHT 0.9 kg	TYPE F4B-903
					SCALE 1:1.5
DIN ISO 13715		PROJECT NUMBER 2652		DESCRIPTION EXPLODED VIEW OF F4B-903 IMPELLER PUMP OEM	
Outside edge	Inside edge	SPXFLOW		DRAWING NUMBER 10-24751-11	
0.25	0.5	Johnson Pump		REVISION P01	

This Drawing/Document and information shown contains proprietary information of SPX FLOW and must not be reproduced, copied, transmitted, transferred, disclosed, undue use, shown or handed out to any unauthorized person and is to be maintained in confidence.