

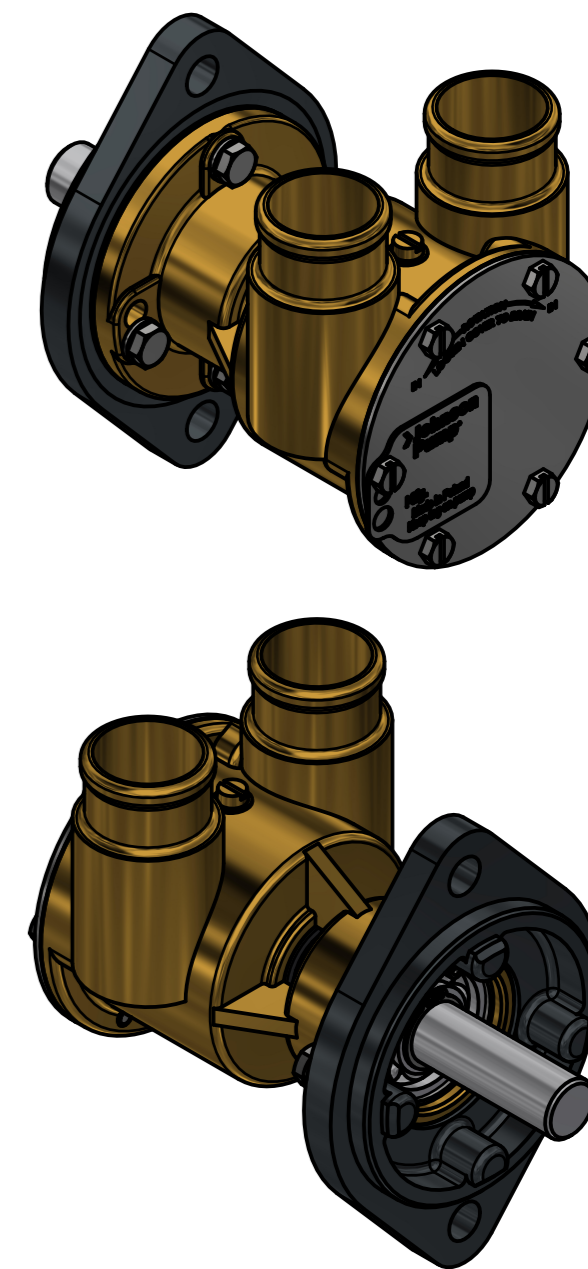
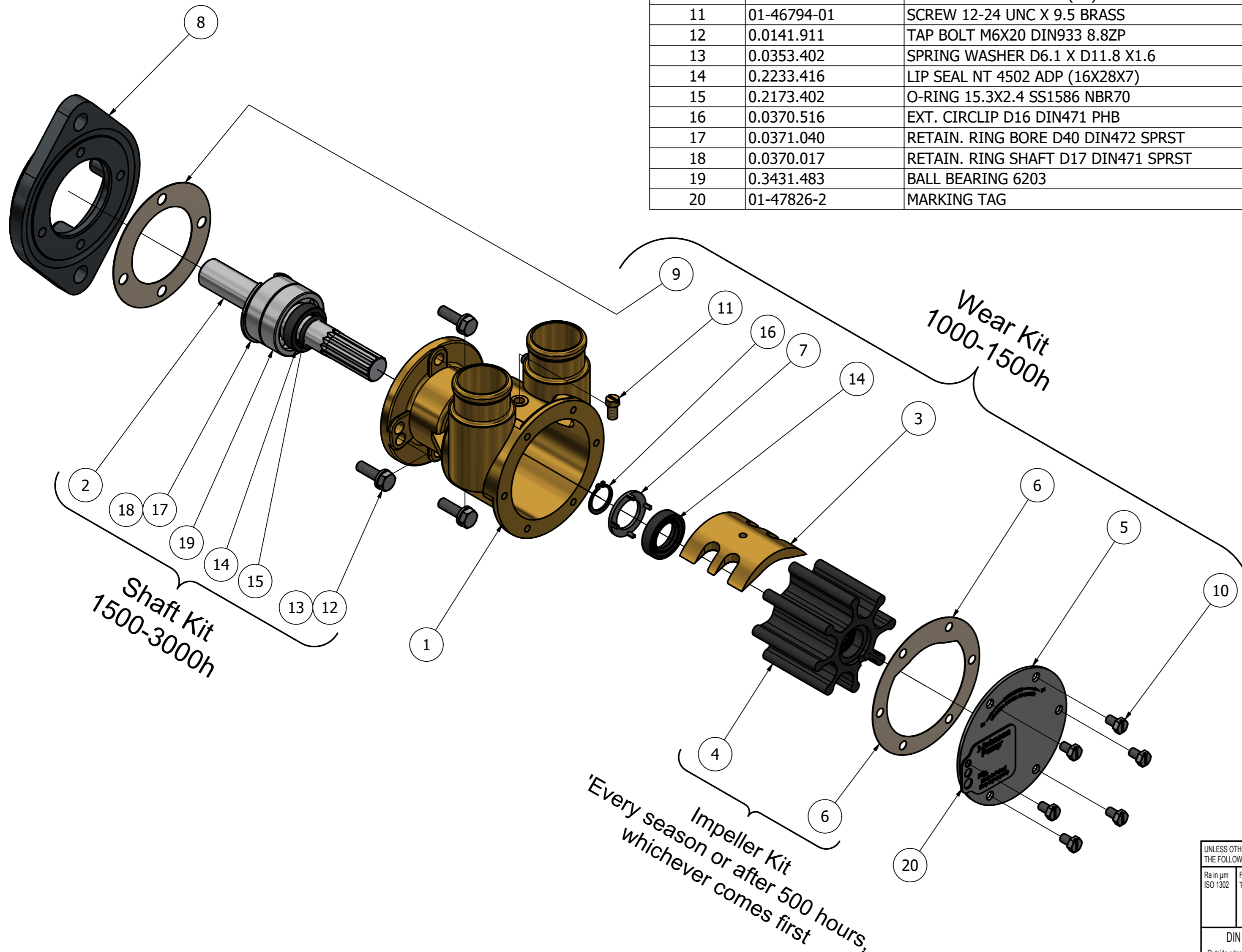
This Drawing/Document and information shown contains proprietary information of SPX FLOW and must not without permission and written consent be reproduced, copied, transmitted, transferred, disclosed, undue use, shown or handed out to any unauthorized person and is to be maintained in confidence.

CUSTOMER DETAILS

| | |
|------------------|--|
| OEM PUMP PART NO | RE47016 |
| MANUFACTURER | JOHN DEERE |
| ENGINE | 4039D and 4045T |
| PUMP DESCRIPTION | F7B-9 IMPELLER PUMP - FLANGE MOUNT OEM |

PART LIST

| DRAWING POSITION | COMPONENTS | COMPONENT DESCRIPTION | QTY | IMPELLER KIT | WEAR KIT | SHAFT KIT | SCREW KIT |
|------------------|-------------|-------------------------------------|-----|--------------|----------|-----------|--------------|
| 1 | 01-24125-2 | PUMP BODY CPL F7B-9 | 1 | | | | |
| 2 | 01-35670 | SHAFT F7B-9 | 1 | | | 09-47859 | |
| 3 | 01-42679 | CAM 1/1 F7B/F70B | 1 | | 09-47858 | | |
| 4 | 08-1028BT-1 | IMPELLER F7 MC 97 THREAD | 1 | 09-1028BT-1 | | | |
| 5 | 01-47769-1 | END COVER F7B- | 1 | | 09-47858 | | |
| 6 | 01-42445 | GASKET F4B/F7B- | 1 | 09-1028BT-1 | 09-47858 | | |
| 7 | 01-45181 | WASHER F5/F7B-9 | 1 | | 09-47858 | | |
| 8 | 01-35213-2 | FLANGE F7B-9 | 1 | | | | |
| 9 | 01-45754 | GASKET F7B-9 | 1 | | 09-47858 | | |
| 10 | 0.0141.505 | SCREW M5X8 ISO4017 (A2) SLOTTED | 6 | | 09-47858 | | 09-47553-105 |
| 11 | 01-46794-01 | SCREW 12-24 UNC X 9.5 BRASS | 1 | | 09-47858 | | |
| 12 | 0.0141.911 | TAP BOLT M6X20 DIN933 8.8ZP | 4 | | | 09-47859 | |
| 13 | 0.0353.402 | SPRING WASHER D6.1 X D11.8 X1.6 | 4 | | | 09-47859 | |
| 14 | 0.2233.416 | LIP SEAL NT 4502 ADP (16X28X7) | 2 | | 09-47858 | 09-47859 | |
| 15 | 0.2173.402 | O-RING 15.3X2.4 SS1586 NBR70 | 1 | | | 09-47859 | |
| 16 | 0.0370.516 | EXT. CIRCLIP D16 DIN471 PHB | 1 | | 09-47858 | | |
| 17 | 0.0371.040 | RETAIN. RING BORE D40 DIN472 SPRST | 1 | | | 09-47859 | |
| 18 | 0.0370.017 | RETAIN. RING SHAFT D17 DIN471 SPRST | 1 | | | 09-47859 | |
| 19 | 0.3431.483 | BALL BEARING 6203 | 2 | | | 09-47859 | |
| 20 | 01-47826-2 | MARKING TAG | 1 | | | | |



ISO VIEW

| REVISION HISTORY | | | | |
|------------------|-----|-----------------|-------------|------|
| ECN | REV | ECN DESCRIPTION | DATE | SIGN |
| | P01 | | 06-Feb-2025 | |

| | | | | | |
|--|--|---------------------|------------|--|---------------------------|
| UNLESS OTHERWISE STATED THE FOLLOWING APPLIES: | | NAME | DATE | The component or product design and specified according to this drawing must comply with applicable EHS laws and EU-directives | |
| Ra in µm | FACES WITHOUT TOLERANCES ACC. TO ISO 2768 - mK | N.T. | 2025-02-06 | MASTER | STATUS WorkInProgress |
| ISO 1302 | | | | | PROJECTION METHOD ISO 128 |
| | | | | WEIGHT 2,4 kg | TYPE F7B-9 |
| | | | | | SCALE 1:1.9 |
| DIN ISO 13715 | | PROJECT NUMBER 2652 | | DESCRIPTION | |
| Outside edge | Inside edge | SPXFLOW | | EXPLODED VIEW OF F7B-9 IMPELLER PUMP - FLANGE MOUNT | |
| ±0.25 | ±0.5 | Johnson Pump | | DRAWING NUMBER 10-24398-01 | |
| | | | | | REVISION P01 |