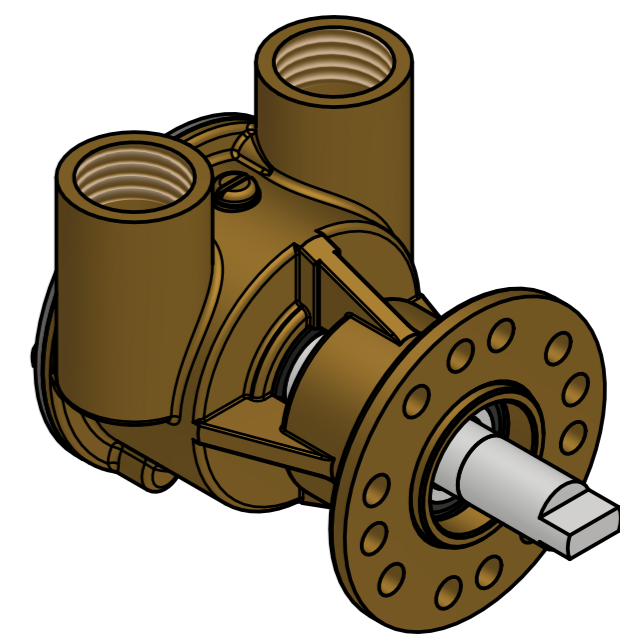
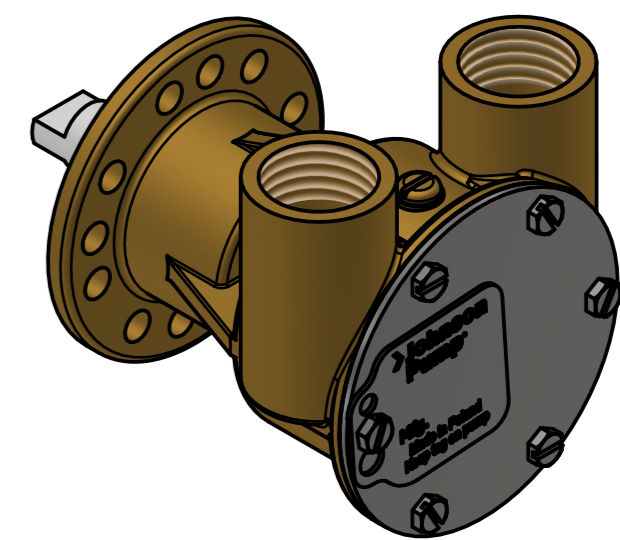
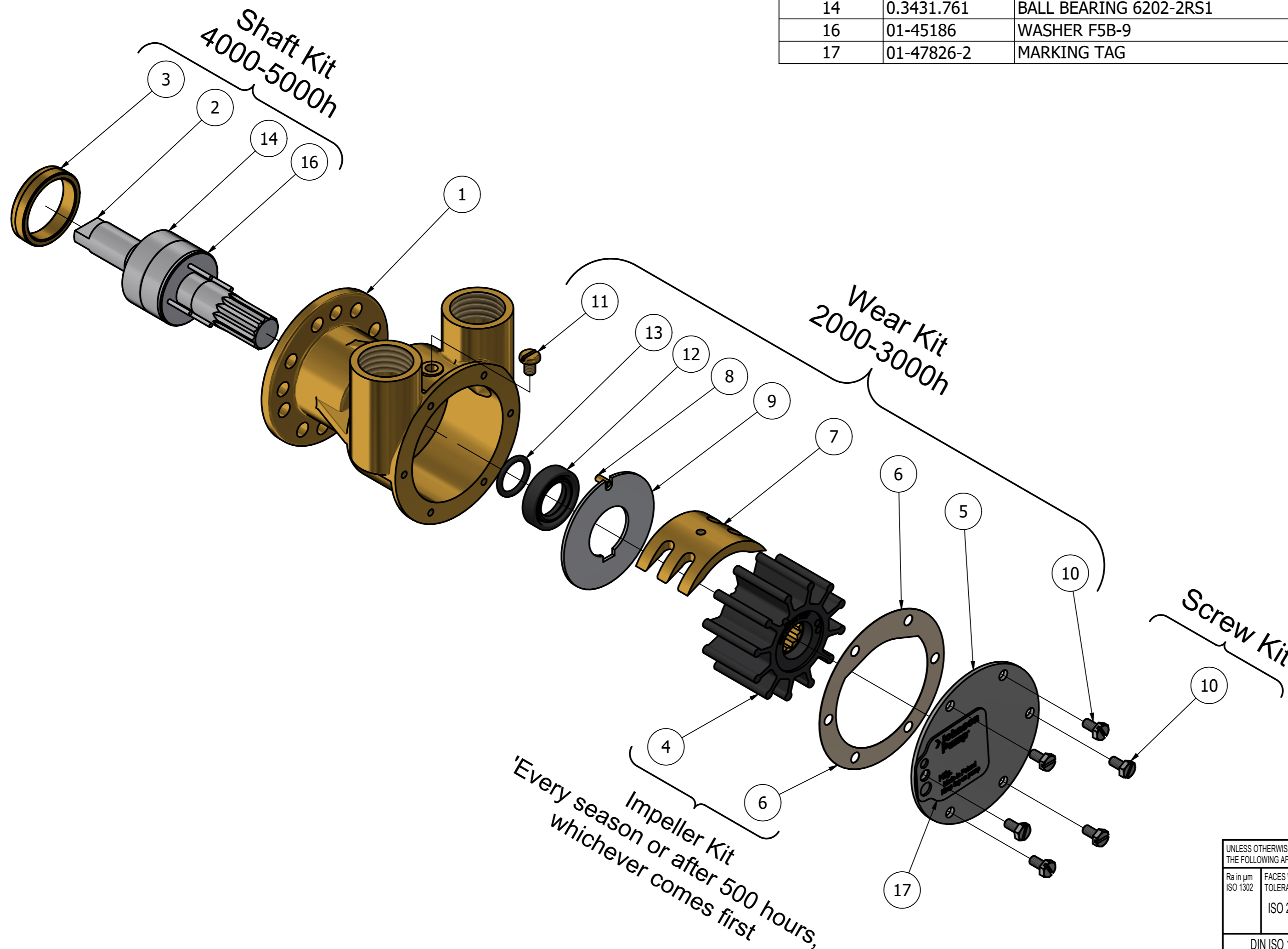


CUSTOMER DETAILS	
OEM PUMP PART NO	970301725 (NANNI) & SEVERAL UNKNOWN
MANUFACTURER	NANNI DIESEL, BETA MARINE, DIECON, WM DIESEL (KUBOTA)
ENGINE	N3.30, N4.38, N4.40, 3.110 HE, 4.110 HE, 4.190 HE, 4.150 HE, N3.30, N4.38, N4.40, 3.110 HE, 4.110 HE, 4.190 HE, 4.150 HE, BETA 60 - 58BHP, BETA 43 - 43BHP, BETA 50 - 50BHP, 3TNE78, 2803, 3TNE84-88, 4TNE84-88, 4TNE94-98, D1403, D1703, SD 23, TD27, V2203, WM 50 (V2203), WM 28 (D1105), WM 22 (D905), WM 35 (V1505)
PUMP DESCRIPTION	F5B-9 IMPELLER PUMP OEM

PART LIST									
DRAWING POSITION	COMPONENTS	COMPONENT DESCRIPTION	QTY	IMPELLER KIT	WEAR KIT	SHAFT KIT	SCREW KIT		
1	01-24115-5	PUMP BODY F5B-9	1						
2	01-35308	SHAFT F5B-9	1					09-47801	
3	01-45024	GUIDE F5B-9	1					09-47801	
4	08-1027B-1	IMPELLER F5 MC 97	1	09-1027B-1					
5	01-47763-1	END COVER F4B-F5B SS	1		09-47800				
6	01-42401	GASKET F5B-	1	09-1027B-1	09-47800				
7	01-42397	CAM 1/1 F5B-	1		09-47800				
8	01-42400	PIN F35B-/F7B/F70B	1		09-47800				
9	01-42399-2	WEAR PLATE SS F5B	1		09-47800				
10	0.0141.700	SCREW M4X8 ISO4017 A2-70 SLOTTED	6		09-47800				09-47553-101
11	01-46794-05	SCREW 10-32UNFX8 BRASS	1		09-47800				
12	0.2233.416	LIP SEAL NT 4502 ADP (16X28X7)	1		09-47800				
13	0.2173.403	O-RING 12.3X2.4 SS1586 NBR70	1		09-47800				
14	0.3431.761	BALL BEARING 6202-2RS1	2			09-47801			
16	01-45186	WASHER F5B-9	1			09-47801			
17	01-47826-2	MARKING TAG	1						



ISO VIEW

REVISION HISTORY				
ECN	REV	ECN DESCRIPTION	DATE	SIGN
	P01			

UNLESS OTHERWISE STATED THE FOLLOWING APPLIES:		NAME	DATE	The component or product design and specified according to this drawing must comply with applicable EHS laws and EU-directives	
Drawn	M.G	2024-11-12	MASTER	STATUS	WorkInProgress
Revised					
Approved					
MATERIAL	ISO 2768 - mK	WEIGHT	N/A	TYPE	F5B-9
PROJECT NUMBER	2652	SCALE	1:1.5	PROJECTION METHOD	ISO 128
DIN ISO 13715	Outside edge ±0.25	Inside edge ±0.5	DESCRIPTION EXPLODED VIEW OF F5B-9 IMPELLER PUMP		
SPXFLOW Johnson Pump			DRAWING NUMBER	10-24334-11	REVISION P01

This Drawing/Document and information shown contains proprietary information of SPX FLOW and must not without permission and written consent be reproduced, copied, transmitted, transferred, disclosed, undue use, shown or handed out to any unauthorized person and is to be maintained in confidence.