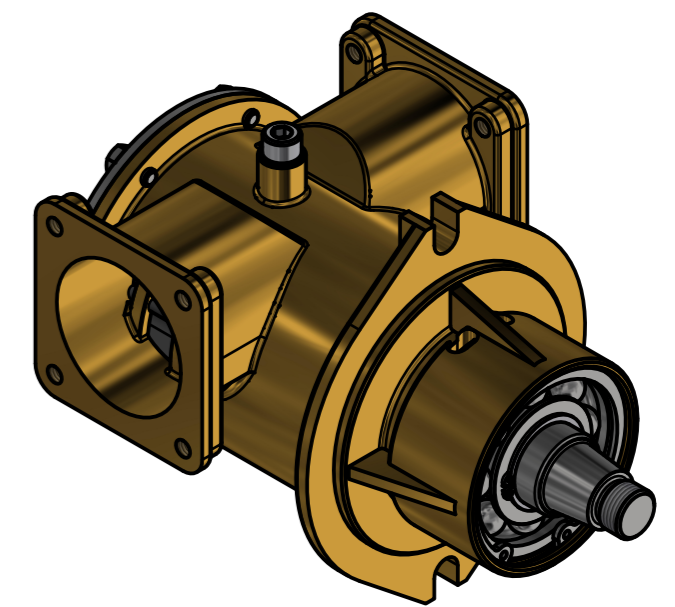
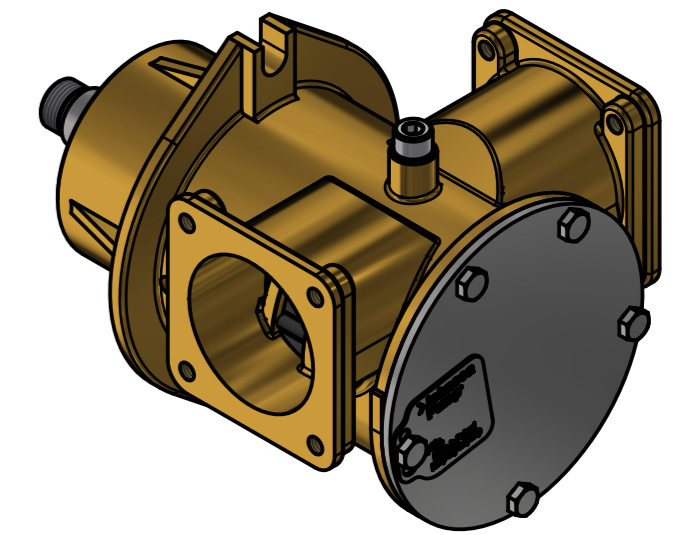
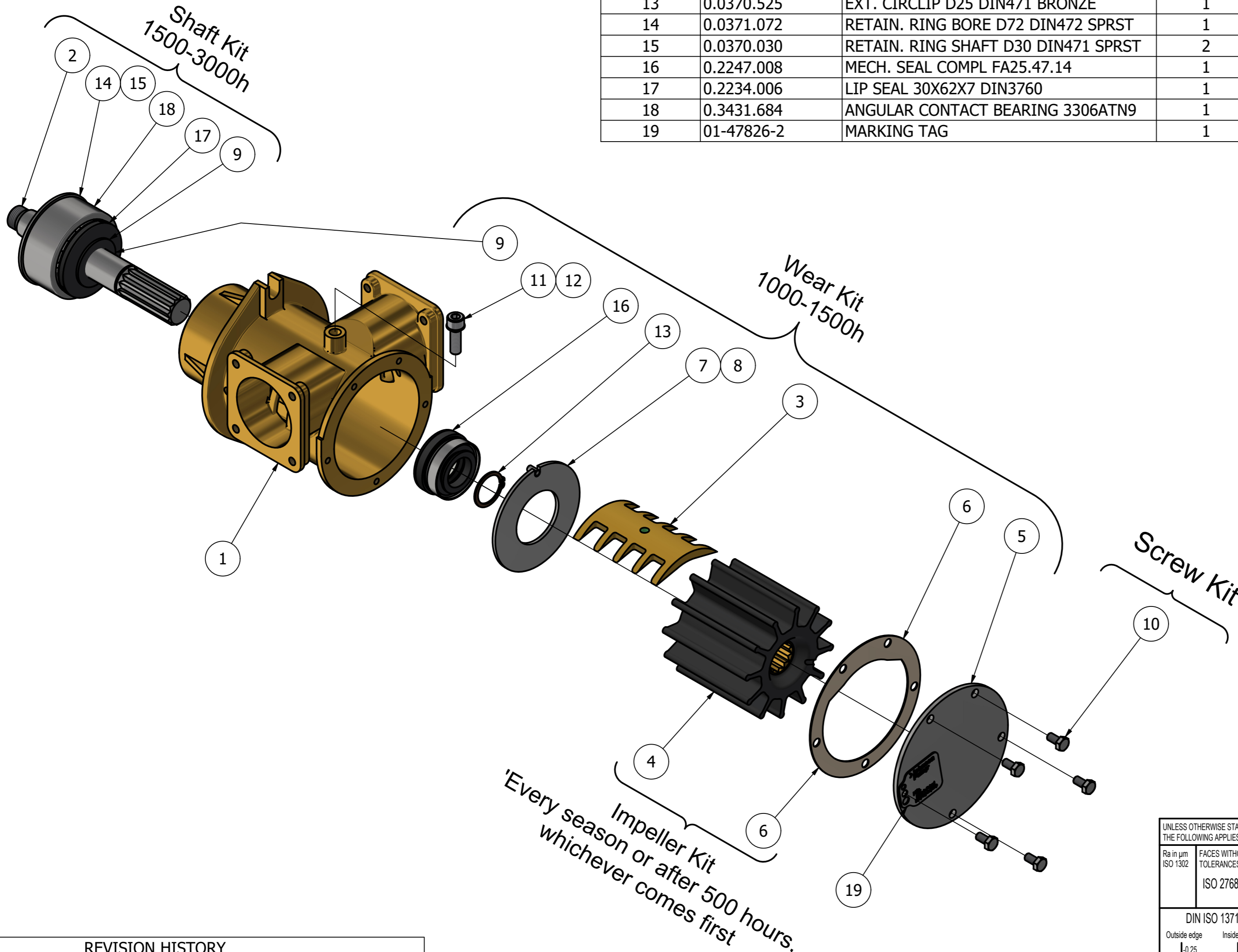


CUSTOMER DETAILS

OEM PUMP PART NO	1785018
MANUFACTURER	SCANIA
ENGINE	DN11, DN9, DS11, DSI11, DI136
PUMP DESCRIPTION	F9B-905 IMPELLER PUMP OEM

PART LIST

DRAWING POSITION	COMPONENTS	COMPONENT DESCRIPTION	QTY	IMPELLER KIT	WEAR KIT	SHAFT KIT	SCREW KIT
1	01-13079-11	PUMP BODY F9B 9B	1				
2	01-35282	SHAFT F9B-9	1			09-47556-106	
3	01-45172	CAM F9B-905	1		09-47555-107		
4	08-814B	IMPELLER F9 NEOPRENE	1	09-814B			
5	01-47771-2	END COVER F8/F9/F95 SS	1		09-47555-107		
6	01-45354-3	GASKET F8/F9B-9/F95B-3000	1	09-814B	09-47555-107		
7	01-46538	WEAR PLATE F8/F9/F95 SS	1		09-47555-107		
8	01-42426-2	PIN SS	1		09-47555-107		
9	01-42427-15	SLINGER F8/F9B-	1		09-47555-107	09-47556-106	
10	0.0138.134	TAP BOLT M6X12 DIN933 A2	5				09-47553-107
11	0.0252.189	ALLEN SCREW M8X25 A4	1		09-47555-107		
12	01-46790-02	WASHER D8.2XD14X1 CU	1		09-47555-107		
13	0.0370.525	EXT. CIRCLIP D25 DIN471 BRONZE	1		09-47555-107		
14	0.0371.072	RETAIN. RING BORE D72 DIN472 SPRST	1			09-47556-106	
15	0.0370.030	RETAIN. RING SHAFT D30 DIN471 SPRST	2			09-47556-106	
16	0.2247.008	MECH. SEAL COMPL FA25.47.14	1		09-47555-107		
17	0.2234.006	LIP SEAL 30X62X7 DIN3760	1			09-47556-106	
18	0.3431.684	ANGULAR CONTACT BEARING 3306ATN9	1			09-47556-106	
19	01-47826-2	MARKING TAG	1				



ISO VIEW

REVISION HISTORY				
ECN	REV	ECN DESCRIPTION	DATE	SIGN
	P01		12-Nov-2024	M.G

UNLESS OTHERWISE STATED THE FOLLOWING APPLIES:		NAME	DATE	The component or product design and specified according to this drawing must comply with applicable EHS laws and EU-directives	
Ra in µm	FACES WITHOUT TOLERANCES ACC. TO	REVISION	2024-11-12	MASTER	STATUS WorkInProgress
ISO 1302	ISO 2768 - mK	APPROVED			PROJECTION METHOD ISO 128
		MATERIAL	WEIGHT 5,8 kg	TYPE F9B-905	SCALE 1:2.5
DIN ISO 13715		PROJECT NUMBER 2652	DESCRIPTION EXPLODED VIEW OF F9B-905 IMPELLER PUMP		
Outside edge	Inside edge	SPXFLOW		DRAWING NUMBER 10-24308-12	
±0.25	±0.5	Johnson Pump		REVISION P01	

This Drawing/Document and information shown contains proprietary information of SPX FLOW and must not without permission and written consent be reproduced, copied, transmitted, transferred, disclosed, undue use, shown or handed out to any unauthorized person and is to be maintained in confidence.