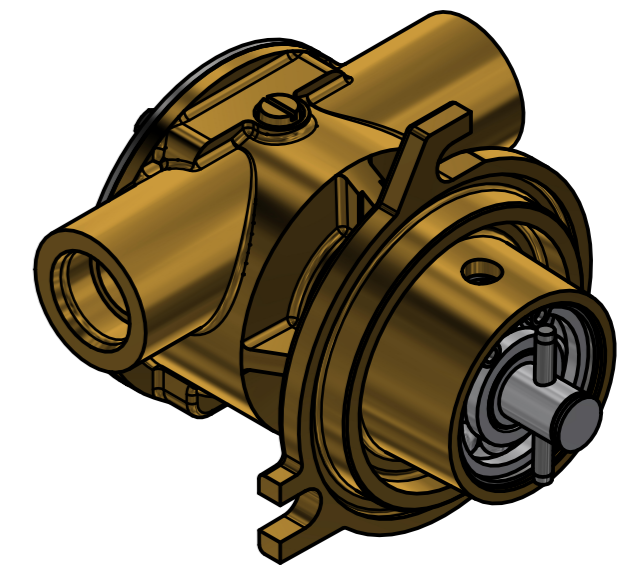
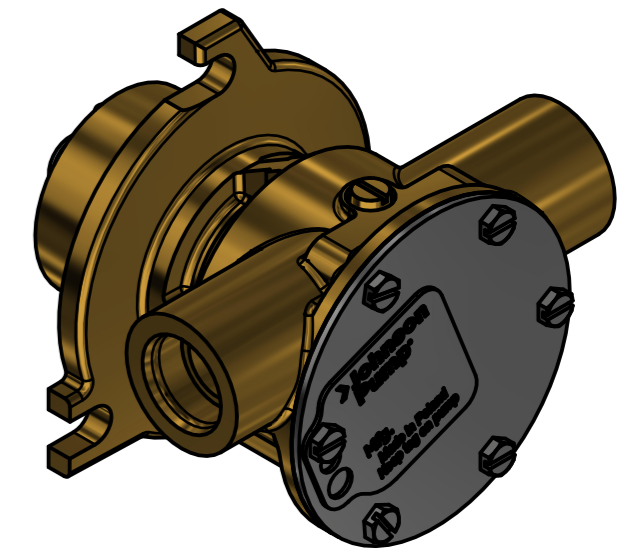
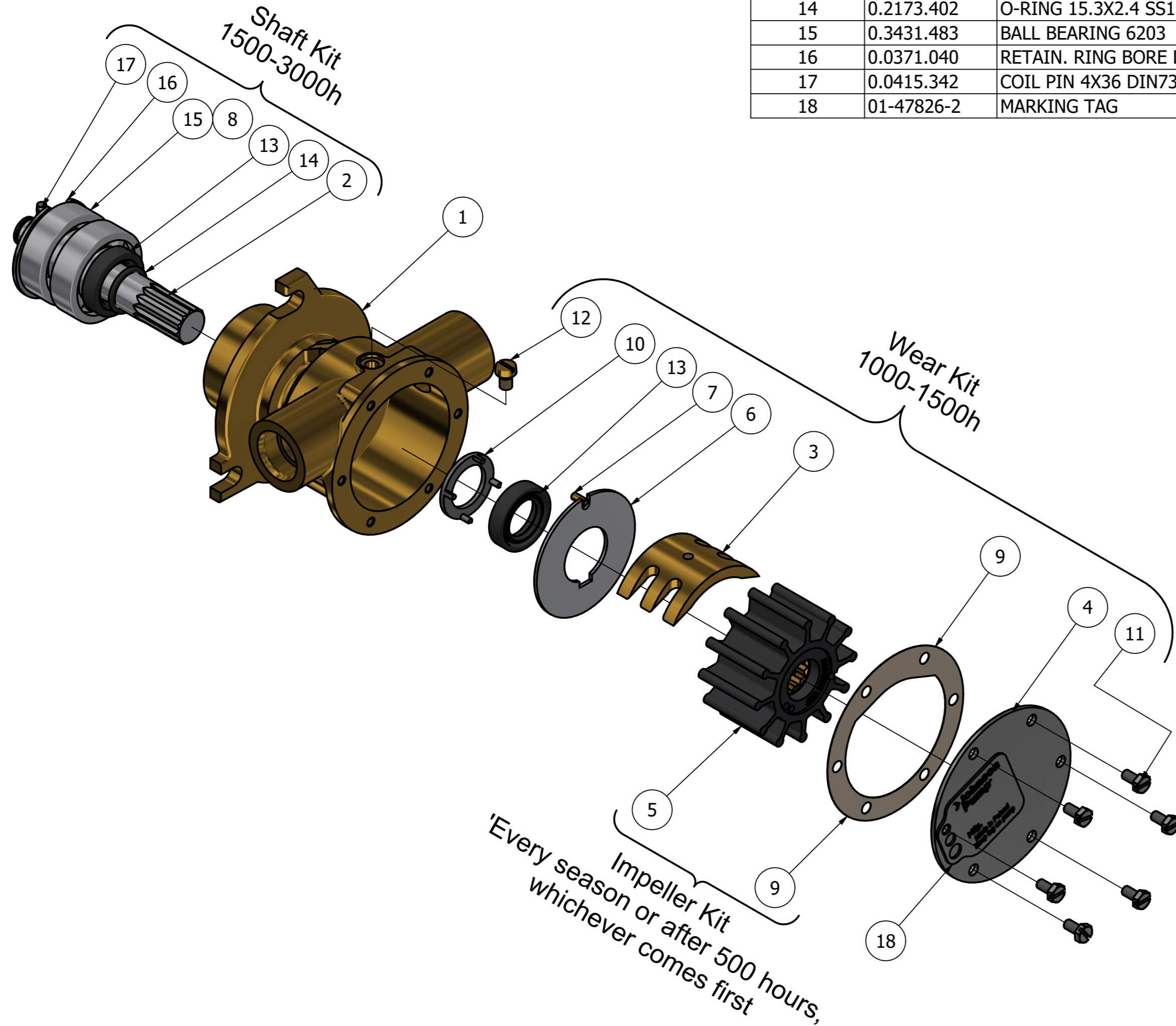


CUSTOMER DETAILS	
OEM PUMP PART NO	858150, 858408, 24761270, 24761272
MANUFACTURER	Volvo Penta
ENGINE	2001, 2001B, 2001AG, 2001BG, 2002, 2002B, 2002D, 2002AG, 2002BG, 2003, 2003B, 2003D, 2003AG, 2003BG, 2003T, 2003TB, 2003 SOLAS, 2003B SOLAS, 2003TB SOLAS, 120S-A, 120S-B, 120S-D, 120S-E, 120SC, MS2A, MS2A-D, MS2A-E, MS2A-S, MS2B, MS2B-A, MS2B-L, MS2B-R, MS2L, MS2L-D, MS2L-E, MS2V, 2003TR, 2001R, 2003R, 2003R SOLAS
PUMP DESCRIPTION	F5B-9 IMPELLER PUMP OEM

		PART LIST						
DRAWING POSITION	COMPONENTS	COMPONENT DESCRIPTION	QTY	IMPELLER KIT	WEAR KIT	SHAFT KIT	SCREW KIT	
1	01-24269	PUMP BODY F5B-9	1					
2	01-45821	SHAFT F5B-9	1			09-47552-109		
3	01-42397	CAM 1/1 F5B-	1			09-47551-105		
4	01-47763-1	END COVER F4/F5B-	1			09-47551-105		
5	08-1027B	IMPELLER F5 NEOPRENE	1	09-1027B-1				
6	01-42399-2	WEAR PLATE SS F5B	1		09-47551-105			
7	01-42400	PIN F35B-/F7B/F70B	1		09-47551-105			
8	01-42537	SPACER F5/F7B-9	1			09-47552-109		
9	01-42401	GASKET F5B-	1	09-1027B-1	09-47551-105			
10	01-45181	WASHER F5/F7B-9	1		09-47551-105			
11	0.0141.700	SCREW M4X8 ISO1207	6		09-47551-105		09-47553-101	
12	01-46794-05	SCREW 10-32UNFX8 BRASS	1		09-47551-105			
13	0.2233.416	LIP SEAL NT 4502 ADP (16X28X7)	2		09-47551-105	09-47552-109		
14	0.2173.402	O-RING 15.3X2.4 SS1586 NBR70	1			09-47552-109		
15	0.3431.483	BALL BEARING 6203	2			09-47552-109		
16	0.0371.040	RETAIN. RING BORE D40 DIN472 SPRST	1			09-47552-109		
17	0.0415.342	COIL PIN 4X36 DIN7343 ST	1			09-47552-109		
18	01-47826-2	MARKING TAG	1					



ISO VIEW

REVISION HISTORY				
ECN	REV	ECN DESCRIPTION	DATE	SIGN
	P01		11-Nov-2024	M.G

UNLESS OTHERWISE STATED THE FOLLOWING APPLIES:		NAME	DATE	The component or product design and specified according to this drawing must comply with applicable EHS laws and EU-directives	
Ra in µm ISO 1302	FACES WITHOUT TOLERANCES ACC. TO ISO 2768 - mK	M.G	2024-11-11	MASTER	STATUS WorkInProgress
		M.G			PROJECTION METHOD ISO 128
				WEIGHT N/A	TYPE F5B-9
					SCALE 1:1.5
DIN ISO 13715		PROJECT NUMBER 2652		DESCRIPTION	
Outside edge	Inside edge	SPXFLOW		EXPLODED VIEW OF F5B-9 IMPELLER PUMP	
±0.25	±0.5	Johnson Pump		DRAWING NUMBER 10-24268-4	
				REVISION P01	

This Drawing/Document and information shown contains proprietary information of SPX FLOW and must not without permission and written consent be reproduced, copied, transmitted, transferred, disclosed, undue use, shown or handed out to any unauthorized person and is to be maintained in confidence.