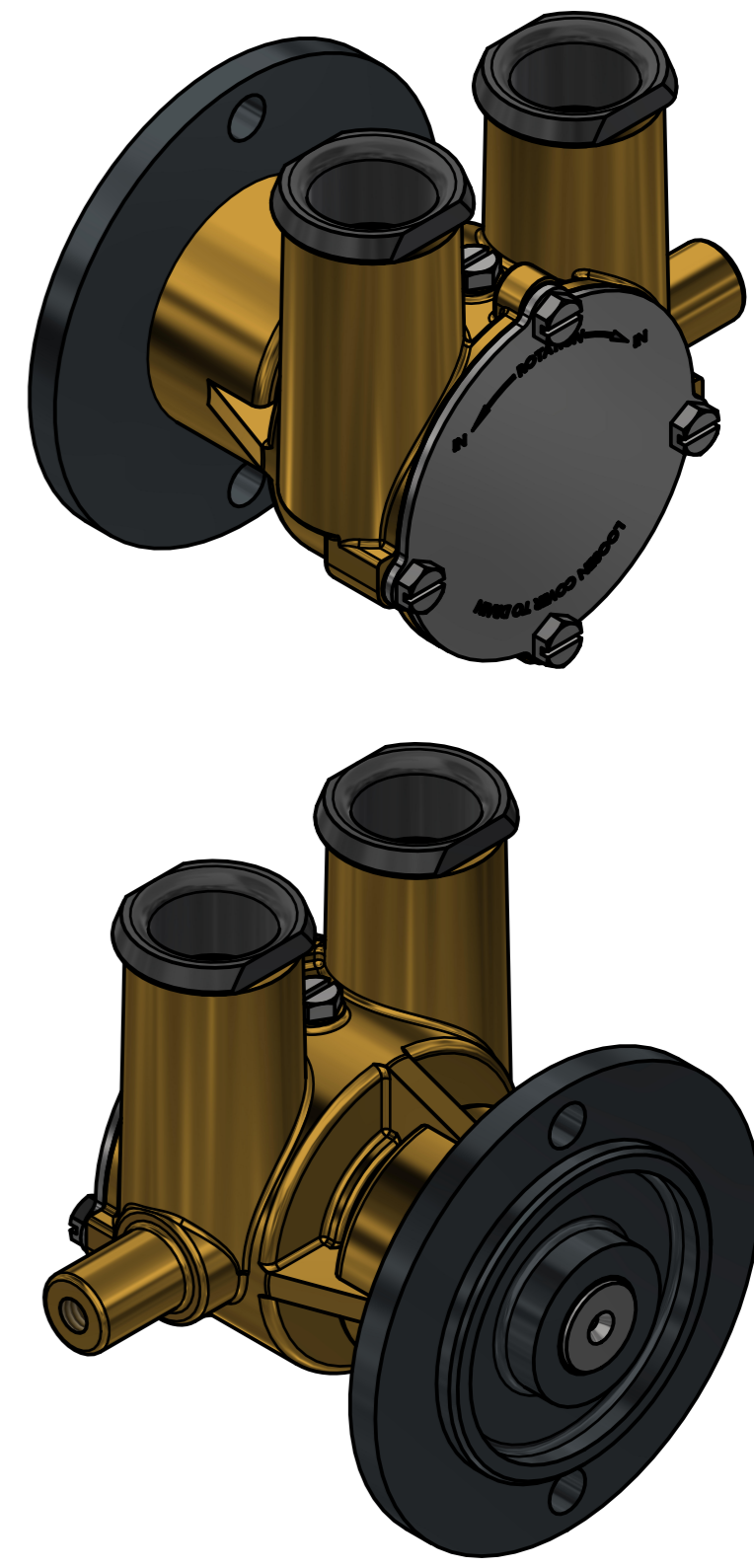
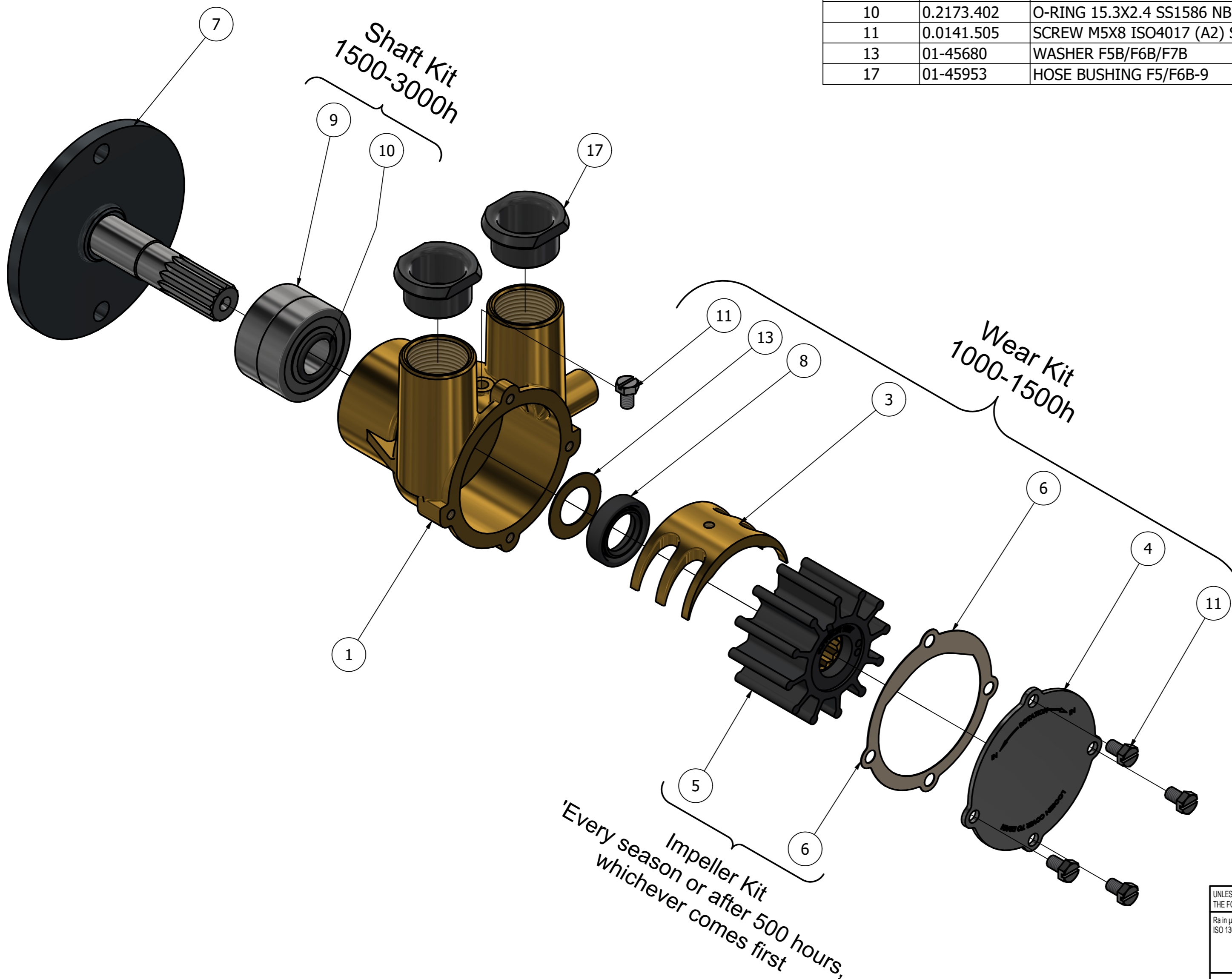


CUSTOMER DETAILS

OEM PUMP PART NO	
MANUFACTURER	
ENGINE	
PUMP DESCRIPTION	F5B-9 IMPELLER PUMP OEM

PART LIST

DRAWING POSITION	COMPONENTS	COMPONENT DESCRIPTION	QTY	IMPELLER KIT	WEAR KIT	SHAFT KIT	SCREW KIT
1	01-24229	PUMP BODY F5B-9	1				
3	01-45329	CAM 1/1 F5B-9	1		X		
4	01-47765-1	END COVER F5B/F6B-9	1		X		
5	08-1027B	IMPELLER F5 NEOPRENE	1	09-1027B			
6	01-45315	GASKET F5B/F6B-9	1	09-1027B	X		
7	04-46406-01	CARRIER COMPLETE	1				
8	0.2233.001	LIP SEAL 16X28X7 DPSM	1		X		
9	0.3431.742	BALL BEARING 6203-2RSH	2			X	
10	0.2173.402	O-RING 15.3X2.4 SS1586 NBR70	1			X	
11	0.0141.505	SCREW M5X8 ISO4017 (A2) SLOTTED	5		X		
13	01-45680	WASHER F5B/F6B/F7B	1		X		
17	01-45953	HOSE BUSHING F5/F6B-9	2				



ISO VIEW

REVISION HISTORY				
ECN	REV	ECN DESCRIPTION	DATE	SIGN
	P01		06-Feb-2025	

UNLESS OTHERWISE STATED THE FOLLOWING APPLIES:		NAME	DATE	The component or product design and specified according to this drawing must comply with applicable EHS laws and EU-directives	
Ra in µm ISO 1302	FACES WITHOUT TOLERANCES ACC. TO ISO 2768 - mK	REVISION	2025-02-06	MASTER	STATUS WorkInProgress
DIN ISO 13715 Outside edge ±0.25 Inside edge ±0.5		APPROVED		PROJECT NUMBER 2652	SCALE 1:1.25
		MATERIAL	WEIGHT N/A	TYPE F5B-9	PROJECTION METHOD ISO 128
DESCRIPTION				EXPLODED VIEW OF F5B-9 IMPELLER PUMP OEM	
DRAWING NUMBER				10-24230-5	
REVISION				P01	

This Drawing/Document and information shown contains proprietary information of SPX FLOW and must not without permission and written consent be reproduced, copied, transmitted, transferred, disclosed, undue use, shown or handed out to any unauthorized person and is to be maintained in confidence.