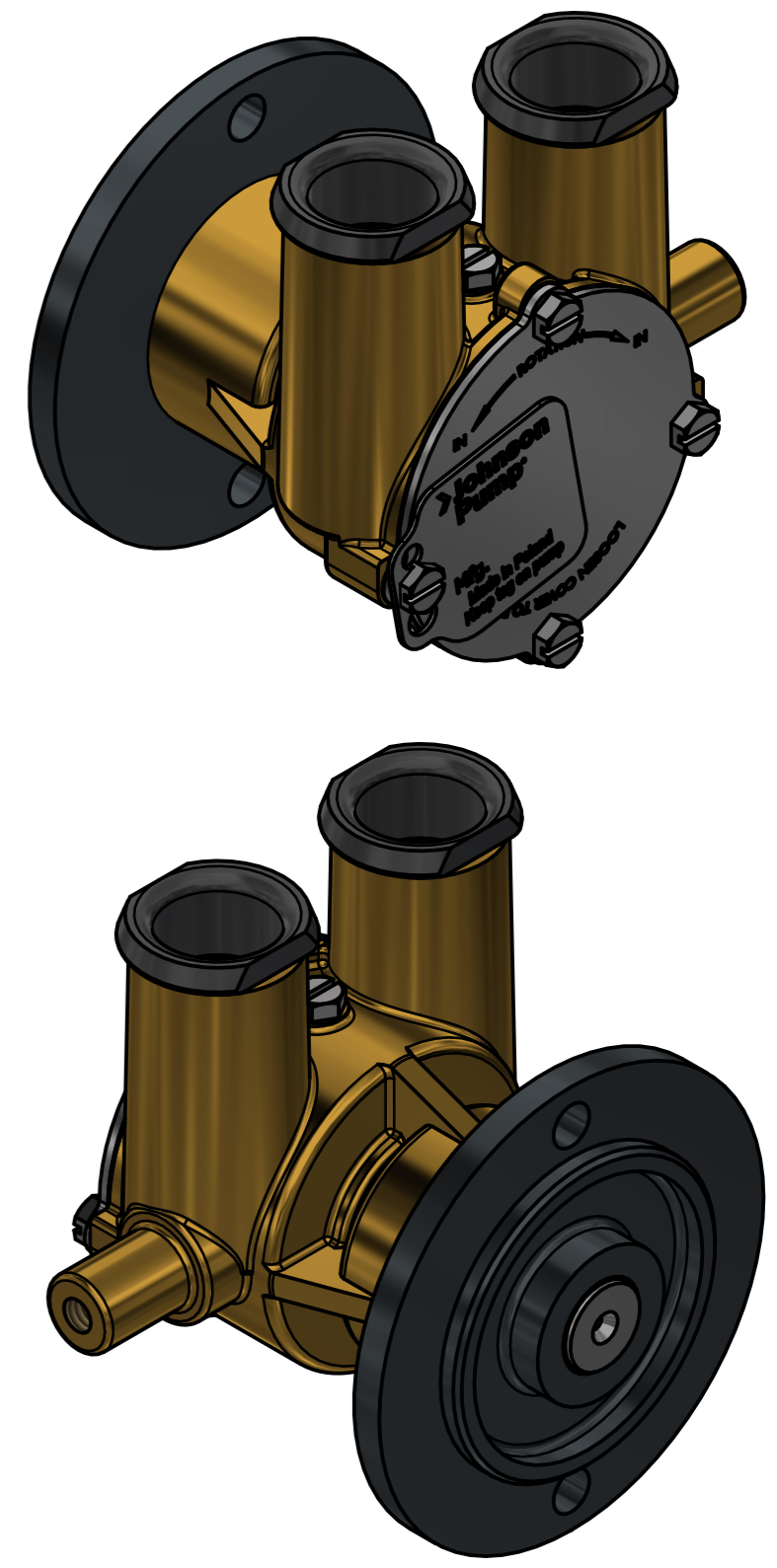
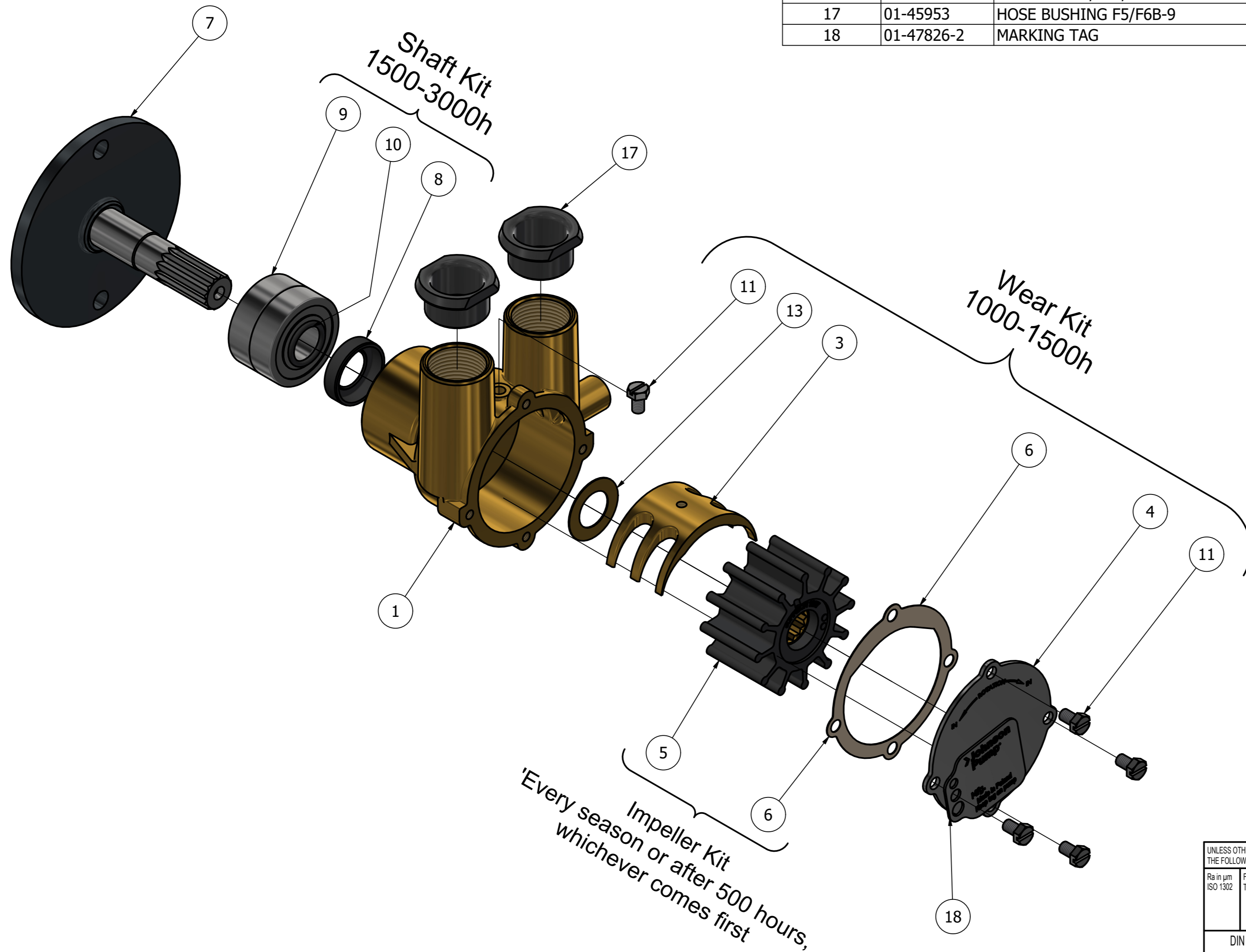


CUSTOMER DETAILS	
OEM PUMP PART NO	
MANUFACTURER	CMD, Mermaid Marine, Pathfinder Marine and Watermota
ENGINE	HP80, FSE 425, 4+5 CYL and Sea Horse 100, Sea Horse 130
PUMP DESCRIPTION	F5B-9 IMPELLER PUMP OEM

PART LIST							
DRAWING POSITION	COMPONENTS	COMPONENT DESCRIPTION	QTY	IMPELLER KIT	WEAR KIT	SHAFT KIT	SCREW KIT
1	01-24229	PUMP BODY F5B-9	1				
3	01-45329	CAM 1/1 F5B-9	1			X	
4	01-47765-1	END COVER F5B/F6B-9	1			X	
5	08-1027B	IMPELLER F5 NEOPRENE	1	09-1027B-1			
6	01-45315	GASKET F5B/F6B-9	1	09-1027B-1	X		
7	04-46406-01	CARRIER COMPLETE	1				
8	0.2233.252	LIP SEAL 16X28X7 B	1			X	
9	0.3431.742	BALL BEARING 6203-2RSH	2			X	
10	0.2173.402	O-RING 15.3X2.4 SS1586 NBR70	1			X	
11	0.0141.505	SCREW M5X8 ISO4017 (A2) SLOTTED	5		X		09-47553-105
13	01-45680	WASHER F5B/F6B/F7B	1		X		
17	01-45953	HOSE BUSHING F5/F6B-9	2				
18	01-47826-2	MARKING TAG	1				



ISO VIEW

REVISION HISTORY				
ECN	REV	ECN DESCRIPTION	DATE	SIGN
	P01		06-Feb-2025	N.T.

UNLESS OTHERWISE STATED THE FOLLOWING APPLIES:		NAME	DATE	The component or product design and specified according to this drawing must comply with applicable EHS laws and EU-directives	
Ra in µm	FACES WITHOUT TOLERANCES ACC. TO ISO 2768 - mK	N.T.	2025-02-06	MASTER	STATUS WorkInProgress
APPROVED		N.T.			PROJECTION METHOD ISO 128
MATERIAL			WEIGHT N/A	TYPE F5B-9	SCALE 1:1.25
DIN ISO 13715		PROJECT NUMBER 2652		DESCRIPTION EXPLODED VIEW OF F5B-9 IMPELLER PUMP OEM	
Outside edge	Inside edge	SPXFLOW		DRAWING NUMBER 10-24230-3	
0.25	0.5	Johnson Pump		REVISION P01	

This Drawing/Document and information shown contains proprietary information of SPX FLOW and must not without permission and written consent be reproduced, copied, transmitted, transferred, disclosed, undue use, shown or handed out to any unauthorized person and is to be maintained in confidence.