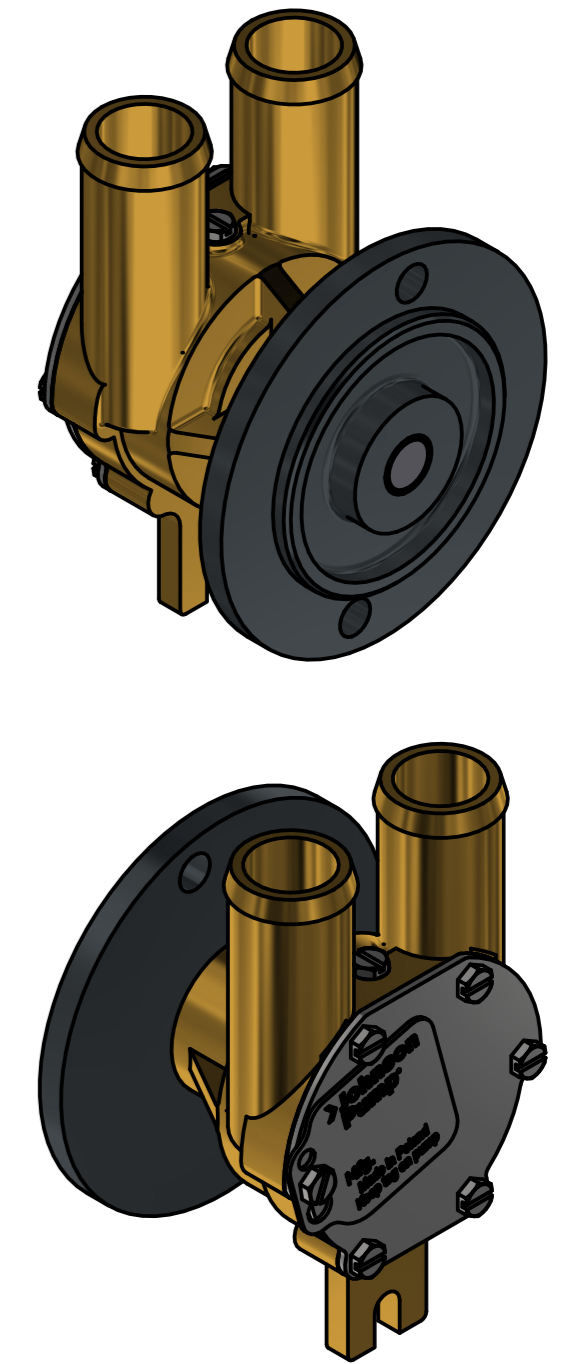
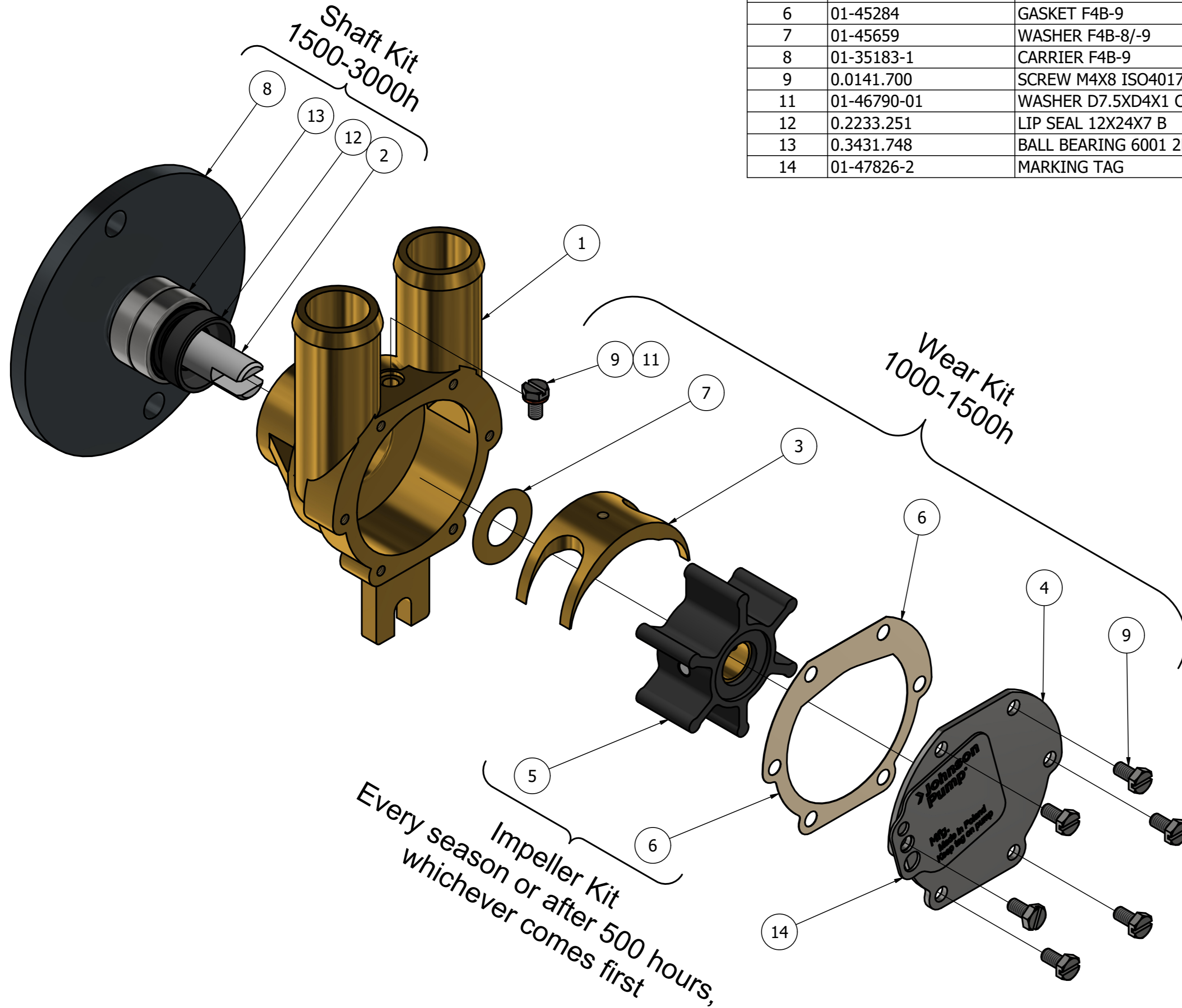


CUSTOMER DETAILS	
OEM PUMP PART NO	BCPU12
MANUFACTURER	CT MARINE, WATERMOTA & VOLKSWAGEN
ENGINE	XLD, SEA PANTHER 60, SEA HORSE 70, SEA PANTHER 75, SEA PANTHER 30, VOLKSWAGEN 4-CYLINDER
PUMP DESCRIPTION	F4B-9 IMPELLER PUMP OEM

DRAWING POSITION		COMPONENTS	COMPONENT DESCRIPTION	QTY	IMPELLER KIT	WEAR KIT	SHAFT KIT	SCREW KIT
1	01-24213	PUMP BODY F4B-9		1				
2	01-45658	SHAFT F4B-9		1			X	
3	01-45660	CAM 1/1 F4B-9		1		X		
4	01-47764-1	END COVER F4B-F5B		1		X		
5	08-810B-1	IMPELLER F4 MC 97		1	09-810B-1			
6	01-45284	GASKET F4B-9		1	09-810B-1	X		
7	01-45659	WASHER F4B-8/-9		1		X		
8	01-35183-1	CARRIER F4B-9		1			X	
9	0.0141.700	SCREW M4X8 ISO4017 A2-70 SLOTTED		7		X		09-47553-101
11	01-46790-01	WASHER D7.5XD4X1 CU		1		X		
12	0.2233.251	LIP SEAL 12X24X7 B		1			X	
13	0.3431.748	BALL BEARING 6001 2RS1 ST		2			X	
14	01-47826-2	MARKING TAG		1				



ISO VIEW

REVISION HISTORY				
ECN	REV	ECN DESCRIPTION	DATE	SIGN
	P01		07.02.2025	Shetty N.

UNLESS OTHERWISE STATED THE FOLLOWING APPLIES:		NAME	DATE	The component or product design and specified according to this drawing must comply with applicable EHS laws and EU-directives	
Ra in µm	FACES WITHOUT TOLERANCES ACC. TO ISO 1302	Shetty N.	2025-02-07	MASTER	STATUS WorkInProgress
	ISO 2768 - mK	APPROVED Shetty N.			PROJECTION METHOD ISO 128
		MATERIAL	WEIGHT 1,0 kg	TYPE F4B-9	SCALE 1:1
DIN ISO 13715		PROJECT NUMBER 2652	DESCRIPTION EXPLODED VIEW OF F4B-9 IMPELLER PUMP OEM		
Outside edge	Inside edge	SPXFLOW		DRAWING NUMBER 10-24214-4	
↙ ±0.25	↘ ±0.5	Johnson Pump		REVISION P01	

This Drawing/Document and information shown contains proprietary information of SPX FLOW and must not without permission and written consent be reproduced, copied, transmitted, transferred, disclosed, undue use, shown or handed out to any unauthorized person and is to be maintained in confidence.