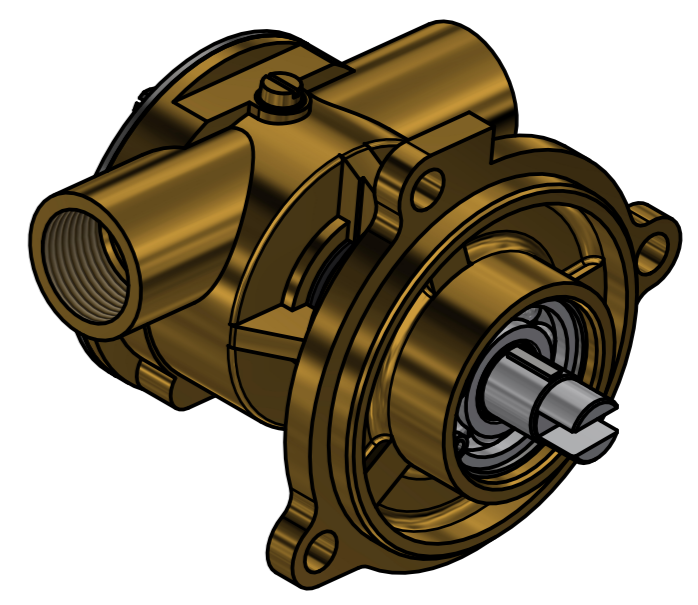
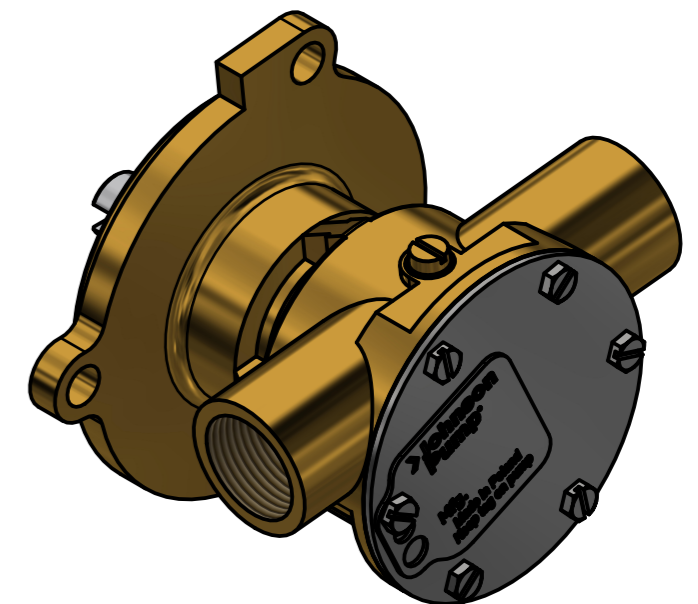
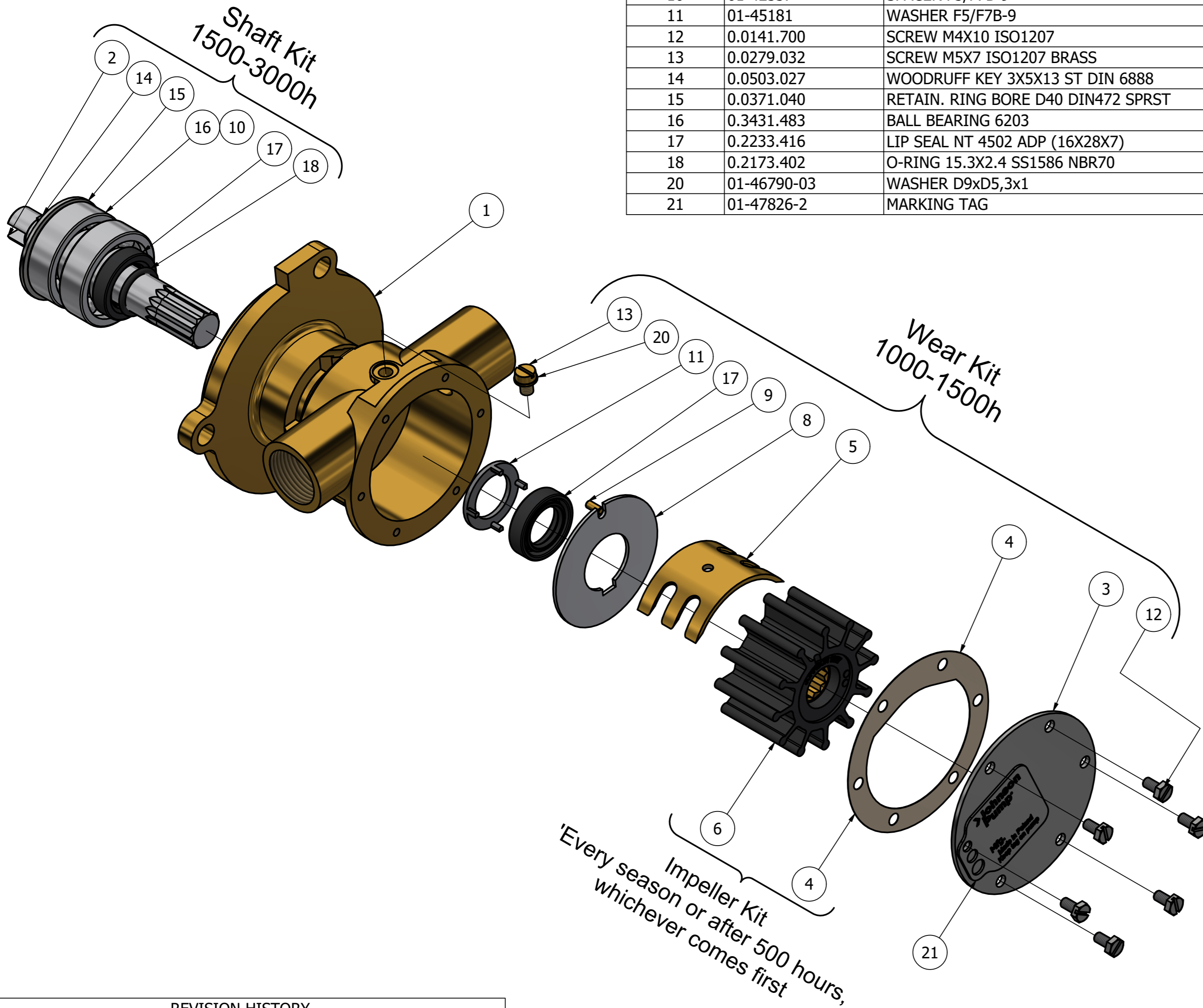


CUSTOMER DETAILS	
OEM PUMP PART NO	610G0320 & 610G0290
MANUFACTURER	Bukh A/S
ENGINE	DV36 / DV48, DV 36 ME/SME, DV 48 ME/SME, MD 30A
PUMP DESCRIPTION	F5B-905 IMPELLER PUMP OEM

		PART LIST						
DRAWING POSITION	COMPONENTS	COMPONENT DESCRIPTION	QTY	IMPELLER KIT	WEAR KIT	SHAFT KIT	SCREW KIT	
1	01-24134	PUMP BODY F5B-9	1					
2	01-45320	SHAFT F5B-9	1			X		
3	01-47763-1	END COVER F4/F5B-	1		X			
4	01-42401	GASKET F5B-	1	09-1027B-1	X			
5	01-45199	CAM F5B-905	1		X			
6	08-1027B	IMPELLER F5 NEOPRENE	1	09-1027B				
8	01-42399-2	WEAR PLATE F5B-	1		X			
9	01-42400	PIN F35B-/F7B/F70B	1		X			
10	01-42537	SPACER F5/F7B-9	1			X		
11	01-45181	WASHER F5/F7B-9	1		X			
12	0.0141.700	SCREW M4X10 ISO1207	6		X		09-47553-101	
13	0.0279.032	SCREW M5X7 ISO1207 BRASS	1		X			
14	0.0503.027	WOODRUFF KEY 3X5X13 ST DIN 6888	1			X		
15	0.0371.040	RETAIN. RING BORE D40 DIN472 SPRST	1			X		
16	0.3431.483	BALL BEARING 6203	2			X		
17	0.2233.416	LIP SEAL NT 4502 ADP (16X28X7)	2		X	X		
18	0.2173.402	O-RING 15.3X2.4 SS1586 NBR70	1			X		
20	01-46790-03	WASHER D9xD5,3x1	1					
21	01-47826-2	MARKING TAG	1					



ISO VIEW

REVISION HISTORY				
ECN	REV	ECN DESCRIPTION	DATE	SIGN
	P01		07-Nov-2024	M.G

UNLESS OTHERWISE STATED THE FOLLOWING APPLIES:		NAME	DATE	The component or product design and specified according to this drawing must comply with applicable EHS laws and EU-directives	
Ra in µm	FACES WITHOUT TOLERANCES ACC. TO ISO 2768 - mK	DRAWN	2024-11-04	MASTER	STATUS WorkInProgress
		APPROVED			PROJECTION METHOD ISO 128
		MATERIAL	WEIGHT N/A	TYPE F5B-905	SCALE 1:1.5
DIN ISO 13715		PROJECT NUMBER 2652	DESCRIPTION		
Outside edge	Inside edge	EXPLODED VIEW OF F5B-905 IMPELLER PUMP			
0.25	0.5			DRAWING NUMBER	REVISION
				10-24131-2	P01

This Drawing/Document and information shown contains proprietary information of SPX FLOW and must not without permission and written consent be reproduced, copied, transmitted, transferred, disclosed, undue use, shown or handed out to any unauthorized person and is to be maintained in confidence.