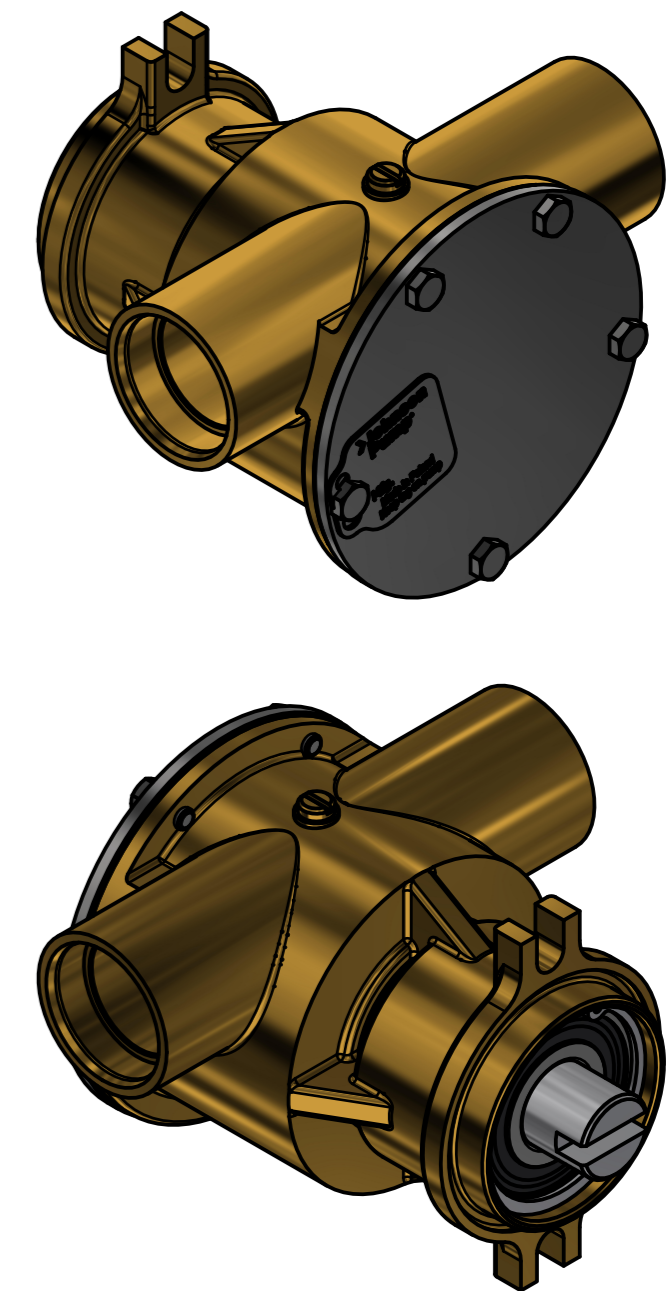
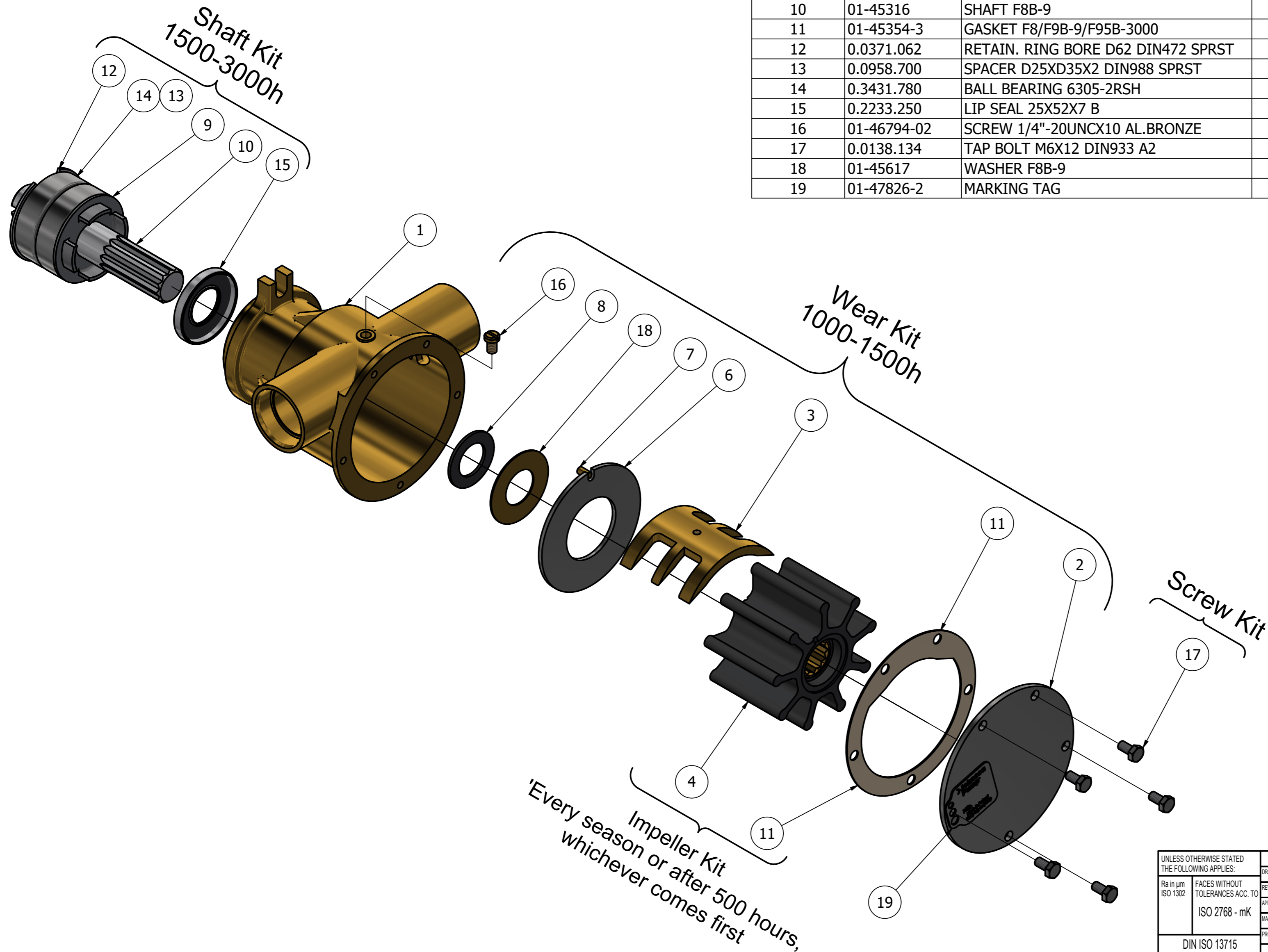


CUSTOMER DETAILS	
OEM PUMP PART NO	24699792 & 838522
MANUFACTURER	VOLVO PENTA
ENGINE	MD40A, TMD40A, TMD40B, TMD40C, AQD40A, TAMD40A, TAMD40B, AD40B, AQAD40A, AQAD40B
PUMP DESCRIPTION	F8B-905 IMPELLER PUMP OEM

		PART LIST						
DRAWING POSITION	COMPONENTS	COMPONENT DESCRIPTION	QTY	IMPELLER KIT	WEAR KIT	SHAFT KIT	SCREW KIT	
1	01-13017	PUMP BODY F8B-905	1					
2	01-47771-1	END COVER F8B/F9B-	1		09-47551-122			
3	01-45317	CAM F8B-905	1		09-47551-122			
4	08-819B	IMPELLER F8 NEOPRENE	1	09-819B				
6	01-46538	WEAR PLATE F8/F80/F9/F95B-	1		09-47551-122			
7	01-42426	PIN	1		09-47551-122			
8	01-42427-15	SLINGER F8/F9B-	1		09-47551-122			
9	01-45634	WASHER F8B-9	1			09-47552-131		
10	01-45316	SHAFT F8B-9	1			09-47552-131		
11	01-45354-3	GASKET F8/F9B-9/F95B-3000	1	09-819B	09-47551-122			
12	0.0371.062	RETAIN. RING BORE D62 DIN472 SPRST	1			09-47552-131		
13	0.0958.700	SPACER D25XD35X2 DIN988 SPRST	1			09-47552-131		
14	0.3431.780	BALL BEARING 6305-2RSH	2			09-47552-131		
15	0.2233.250	LIP SEAL 25X52X7 B	1			09-47552-131		
16	01-46794-02	SCREW 1/4"-20UNCX10 AL.BRONZE	1		09-47551-122			
17	0.0138.134	TAP BOLT M6X12 DIN933 A2	5				09-47553-107	
18	01-45617	WASHER F8B-9	1		09-47551-122			
19	01-47826-2	MARKING TAG	1					



ISO VIEW

REVISION HISTORY				
ECN	REV	ECN DESCRIPTION	DATE	SIGN
	P01		06-Nov-2024	

UNLESS OTHERWISE STATED THE FOLLOWING APPLIES:		NAME	DATE	The component or product design and specified according to this drawing must comply with applicable EHS laws and EU-directives	
Ra in µm	FACES WITHOUT TOLERANCES ACC. TO ISO 2768 - mK	M.G.	2024-11-06	MASTER	STATUS WorkInProgress
ISO 1302					PROJECTION METHOD ISO 128
				WEIGHT N/A	TYPE F8B-905
					SCALE 1:2
DIN ISO 13715		PROJECT NUMBER 2652	DESCRIPTION EXPLODED VIEW OF F8B-905 IMPELLER PUMP OEM		
Outside edge	Inside edge	SPXFLOW		DRAWING NUMBER 10-24130-3	
0.25	0.5	Johnson Pump		REVISION P01	

This Drawing/Document and information shown contains proprietary information of SPX FLOW and must not without permission and written consent be reproduced, copied, transmitted, transferred, disclosed, undue use, shown or handed out to any unauthorized person and is to be maintained in confidence.