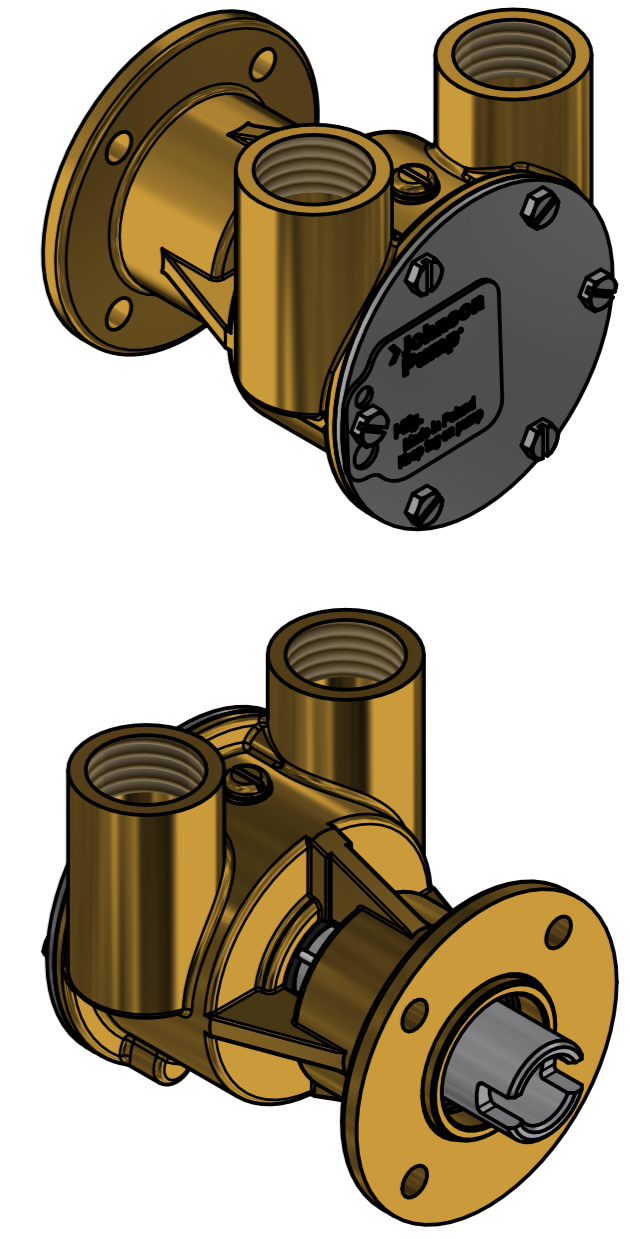
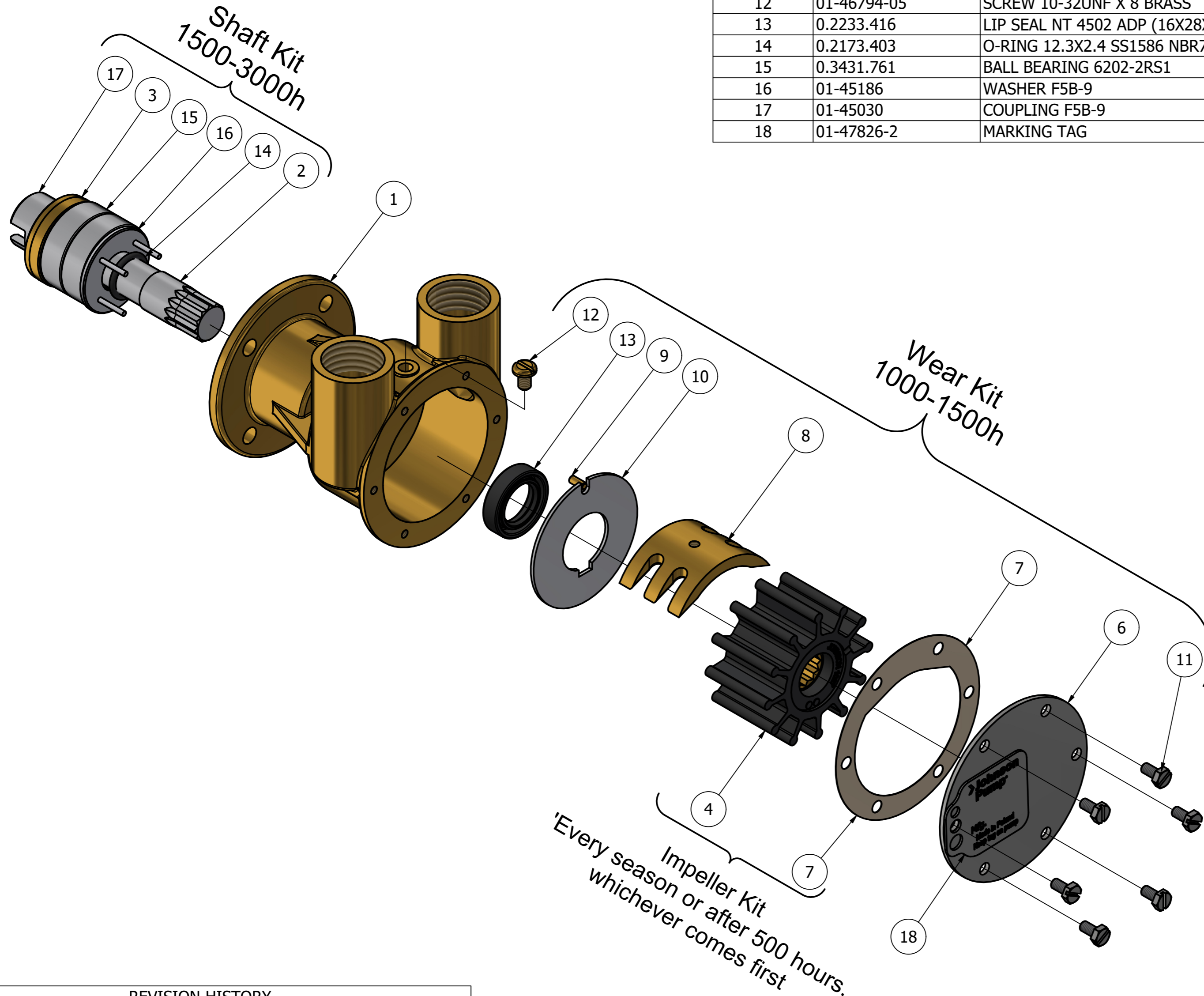


CUSTOMER DETAILS	
OEM PUMP PART NO	970315208
MANUFACTURER	NANNI DIESEL
ENGINE	GENSETS V2203, Nanni Diesel Generators QMS16M; QMS21T; QLS22T, MB 300, MB 180
PUMP DESCRIPTION	F5B-9002 IMPELLER PUMP

		PART LIST						
DRAWING POSITION	COMPONENTS	COMPONENT DESCRIPTION	QTY	IMPELLER KIT	WEAR KIT	SHAFT KIT	SCREW KIT	
1	01-24115-1	PUMP BODY F5B-9	1					
2	01-45187	SHAFT F5B-9	1			09-47857		
3	01-45024	GUIDE F5B-9	1			09-47857		
4	08-1027B	IMPELLER F5 NEOPRENE	1	09-1027B-1				
6	01-47763-1	END COVER F4/F5B-	1		09-47856			
7	01-42401	GASKET F5B-	1	09-1027B-1	09-47856			
8	01-42397	CAM 1/1 F5B-	1		09-47856			
9	01-42400	PIN F35B-/F7B/F70B	1		09-47856			
10	01-42399-2	WEAR PLATE SS F5B-	1		09-47856			
11	0.0141.700	SCREW M4X8 ISO1207	6		09-47856		09-47553-101	
12	01-46794-05	SCREW 10-32UNF X 8 BRASS	1		09-47856			
13	0.2233.416	LIP SEAL NT 4502 ADP (16X28X7)	1		09-47856			
14	0.2173.403	O-RING 12.3X2.4 SS1586 NBR70	1			09-47857		
15	0.3431.761	BALL BEARING 6202-2RS1	2			09-47857		
16	01-45186	WASHER F5B-9	1			09-47857		
17	01-45030	COUPLING F5B-9	1			09-47857		
18	01-47826-2	MARKING TAG	1					



ISO VIEW

REVISION HISTORY				
ECN	REV	ECN DESCRIPTION	DATE	SIGN
	P01		06-Nov-2024	M.G

UNLESS OTHERWISE STATED THE FOLLOWING APPLIES:		NAME	DATE	The component or product design and specified according to this drawing must comply with applicable EHS laws and EU-directives	
Ra in µm	FACES WITHOUT TOLERANCES ACC. TO ISO 2768 - mK	DRAWN	2024-11-04	MASTER	STATUS WorkInProgress
APPROVED		APPROVED			PROJECTION METHOD ISO 128
MATERIAL		WEIGHT	N/A	TYPE F5B-9002	SCALE 1:1.5
DIN ISO 13715		PROJECT NUMBER 2652		DESCRIPTION EXPLODED VIEW OF F5B-9002 IMPELLER PUMP	
Outside edge	Inside edge	SPXFLOW		DRAWING NUMBER 10-24119-2	
0.25	+0.5	Johnson Pump		REVISION P01	

This Drawing/Document and information shown contains proprietary information of SPX FLOW and must not without permission and written consent be reproduced, copied, transmitted, transferred, disclosed, undue use, shown or handed out to any unauthorized person and is to be maintained in confidence.