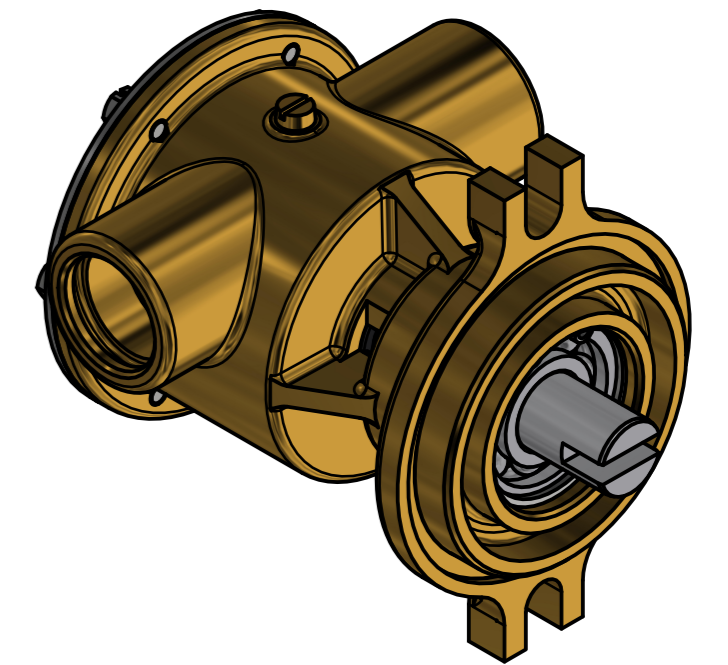
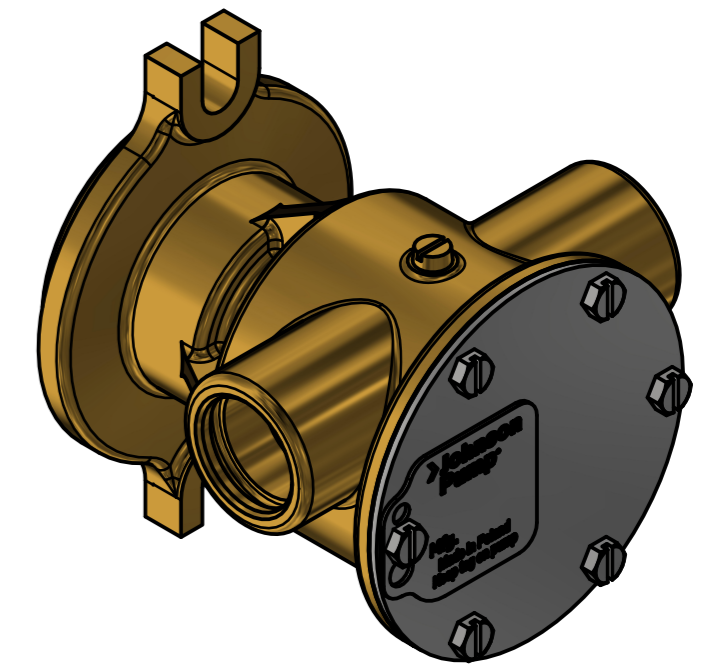
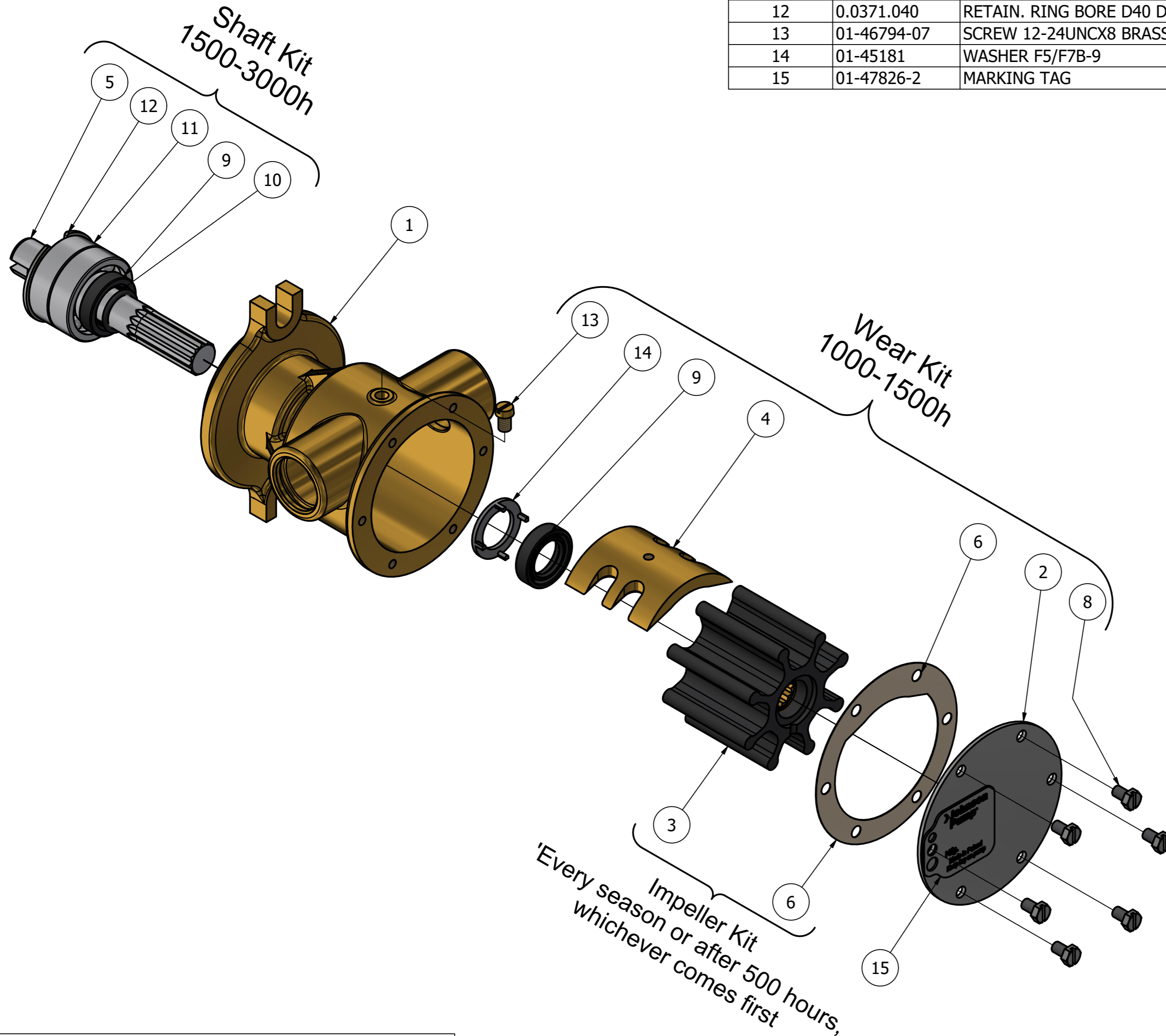


CUSTOMER DETAILS	
OEM PUMP PART NO	842843 & 838314
MANUFACTURER	VOLVO PENTA
ENGINE	AD30A, AQAD30A, MD30A, TAMD30A, TMD30A, AD30, AQAD30, MD30, TAMD30, TMD30; MD40A, TMD40A, TMD40B, TMD40C, AQD40A, TAMD40A, TAMD40B, AD40B, AQAD40A, AQAD40B
PUMP DESCRIPTION	F7B-9 IMPELLER PUMP OEM

PART LIST									
DRAWING POSITION	COMPONENTS	COMPONENT DESCRIPTION	QTY	IMPELLER KIT	WEAR KIT	SHAFT KIT	SCREW KIT		
1	01-24062	PUMP BODY F7B-9	1						
2	01-47769-1	END COVER F7B-	1		09-47551-117				
3	08-1028B	IMPELLER F7 NEOPRENE	1	09-1028B					
4	01-42679	CAM 1/1 F7B/F70B	1		09-47551-117				
5	01-45044	SHAFT F7B-9	1			09-47552-124			
6	01-42445	GASKET F4B/F7B-	1	09-1028B	09-47551-117				
8	0.0141.505	SCREW M5X8 DIN933 SLOTTED BRASS	6		09-47551-117				09-47553-105
9	0.2233.416	LIP SEAL NT 4502 ADP (16X28X7)	2		09-47551-117			09-47552-124	
10	0.2173.402	O-RING 15.3X2.4 SS1586 NBR70	1					09-47552-124	
11	0.3431.483	BALL BEARING 6203	2					09-47552-124	
12	0.0371.040	RETAIN. RING BORE D40 DIN472 SPRST	1					09-47552-124	
13	01-46794-07	SCREW 12-24UNCX8 BRASS	1		09-47551-117				
14	01-45181	WASHER F5/F7B-9	1		09-47551-117				
15	01-47826-2	MARKING TAG	1						



ISO VIEW

REVISION HISTORY				
ECN	REV	ECN DESCRIPTION	DATE	SIGN
	P01		05-Nov-2024	M.G

UNLESS OTHERWISE STATED THE FOLLOWING APPLIES:		NAME	DATE	The component or product design and specified according to this drawing must comply with applicable EHS laws and EU-directives	
Ra in µm	FACES WITHOUT TOLERANCES ACC. TO ISO 2768 - mK	DRAWN	2024-11-05	MASTER	STATUS WorkInProgress
ISO 1302		APPROVED			PROJECTION METHOD ISO 128
		MATERIAL	WEIGHT 1,8 kg	TYPE F7B-9	SCALE 1:1.5
DIN ISO 13715		PROJECT NUMBER 2652	DESCRIPTION EXPLODED VIEW OF F7B-9 IMPELLER PUMP		
Outside edge	Inside edge	SPXFLOW		DRAWING NUMBER 10-24061-3	
±0.25	±0.5	Johnson Pump		REVISION P01	

This Drawing/Document and information shown contains proprietary information of SPX FLOW and must not without permission and written consent be reproduced, copied, transmitted, transferred, disclosed, undue use, shown or handed out to any unauthorized person and is to be maintained in confidence.