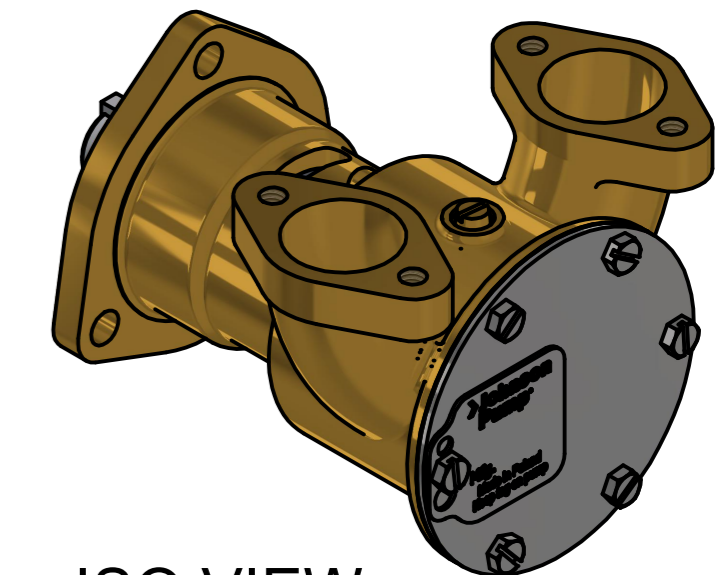
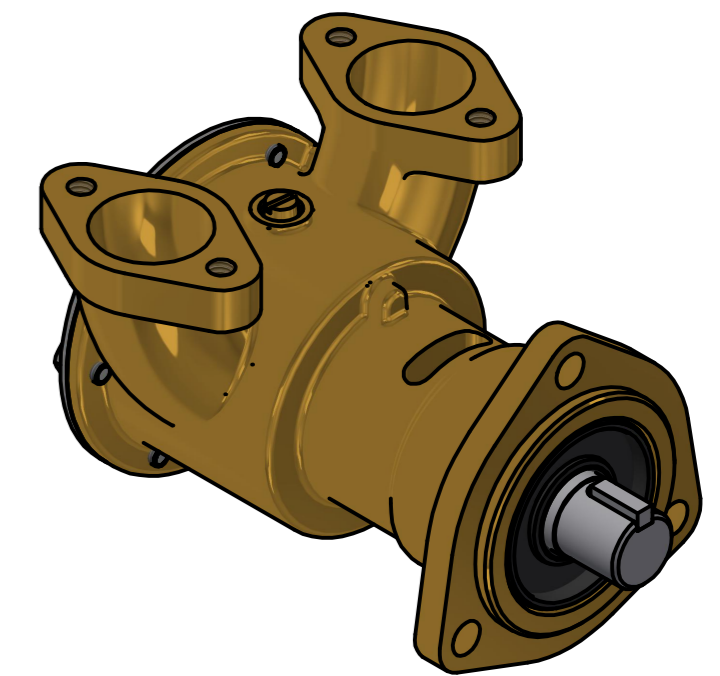
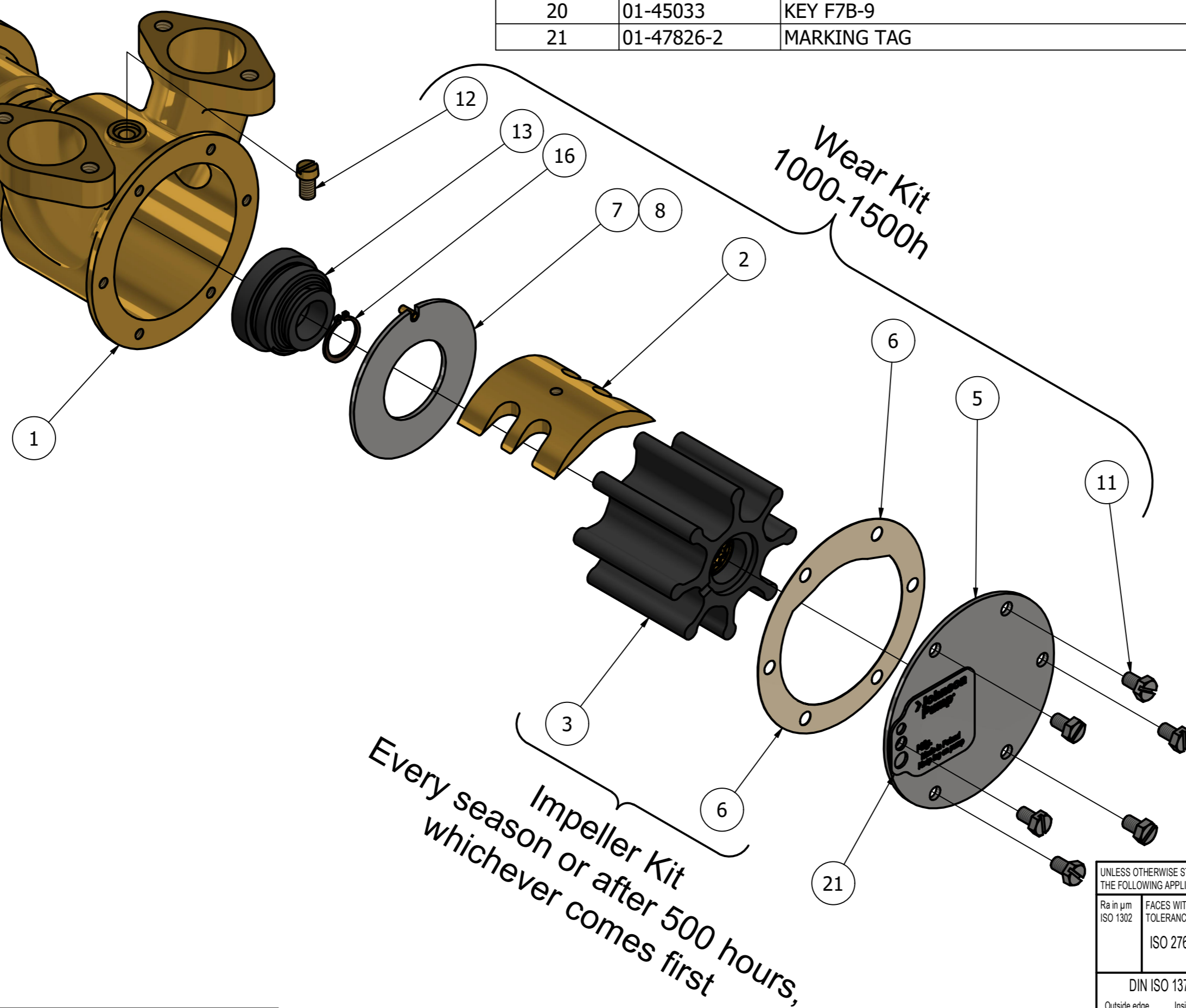
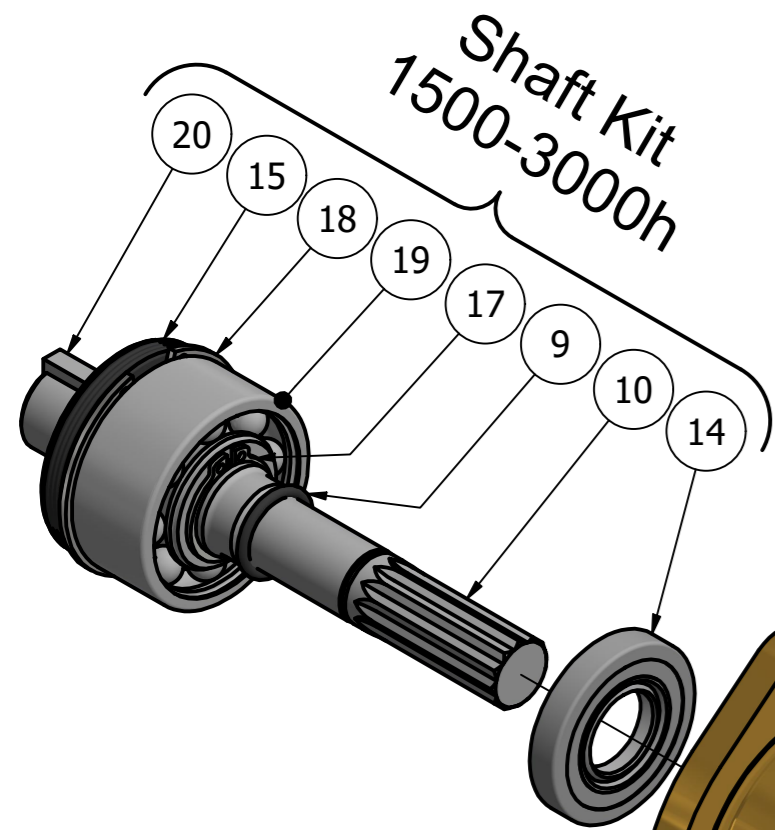


CUSTOMER DETAILS

OEM PUMP PART NO	V836136514
MANUFACTURER	AGCO
ENGINE	UNKNOWN
PUMP DESCRIPTION	F7B-9 IMPELLER PUMP OEM

PART LIST

DRAWING POSITION	COMPONENTS	COMPONENT DESCRIPTION	QTY	IMPELLER KIT	WEAR KIT	SHAFT KIT	SCREW KIT
1	01-24013	PUMP BODY F7B-9	1				
2	01-42679	CAM 1/1 F7B/F70B	1		X		
3	08-1028BT-1	IMPELLER F7 MC 97 THREAD	1	09-1028BT-1			
5	01-47769-1	END COVER F7B-F75B SS	1		X		
6	01-42445	GASKET F4B/F7B-	1	09-1028BT-1	X		
7	01-47725	WEAR PLATE F7B/F70B	1		X		
8	01-42400	PIN F35B-/F7B/F70B	1		X		
9	0.2173.402	O-RING 15.3X2.4 SS1586 NBR70	1			X	
10	01-45006	SHAFT F7B-9	1			X	
11	0.0141.505	SCREW M5X8 ISO4017 (A2) SLOTTED	6		X		09-47553-105
12	01-46794-01	SCREW 12-24UNCX9.5 BRASS	1		X		
13	0.2247.003	MECH. SEAL COMPL PR16.35.12	1		X		
14	0.2233.011	LIP SEAL 18X40X7 DPSM	1			X	
15	0.2233.004	LIP SEAL 5/16"X11/16"X3/16"	1			X	
16	0.0370.516	EXT. CIRCLIP D16 DIN471 PHB	1		X		
17	0.0370.020	RETAIN. RING SHAFT D20 DIN471 SPRST	2			X	
18	0.0371.047	RETAIN. RING BORE D47 DIN472 SPRST	1			X	
19	0.3431.203	ANGULAR CONTACT BALL BEARING 3204 A	1			X	
20	01-45033	KEY F7B-9	1			X	
21	01-47826-2	MARKING TAG	1				



REVISION HISTORY				
ECN	REV	ECN DESCRIPTION	DATE	SIGN
	P01		04.02.2025	Shetty N.

UNLESS OTHERWISE STATED THE FOLLOWING APPLIES:		NAME	DATE	The component or product design and specified according to this drawing must comply with applicable EHS laws and EU-directives	
Drawn	Shetty N.	04-Feb-2025	Master	Status	WorkInProgress
Revised					
Approved	Shetty N.			Type	F7B-9
Material		Weight	1.9 kg	Scale	1:1.5
DIN ISO 13715		Project Number	2652	Description	
Outside edge	+0.25	Inside edge	+0.5	EXPLODED VIEW OF F7B-9 IMPELLER PUMP OEM	
SPXFLOW Johnson Pump			Drawing Number		
			10-24014-1		
					Revision
					P01

This Drawing/Document and information shown contains proprietary information of SPX FLOW and must not without permission and written consent be reproduced, copied, transmitted, transferred, disclosed, undue use, shown or handed out to any unauthorized person and is to be maintained in confidence.