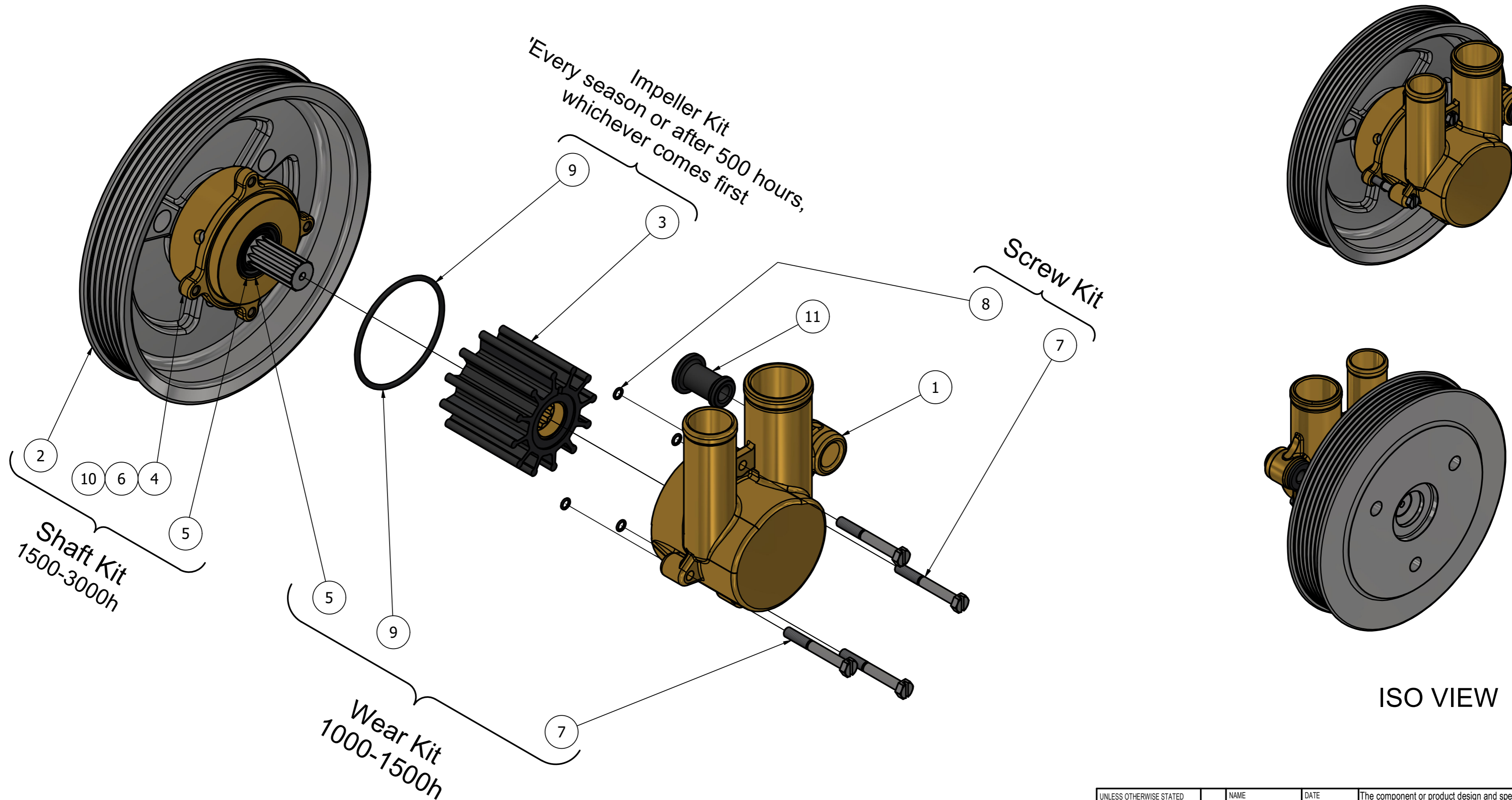


CUSTOMER DETAILS	
OEM PUMP PART NO	21212798
MANUFACTURER	VOLVO PENTA
ENGINE	3.0GLP-D; 3.0GLP-E; 3.0GLP-J, 3.0GLP-N
PUMP DESCRIPTION	F6B-9 IMPELLER PUMP

		PART LIST						
DRAWING POSITION	COMPONENTS	COMPONENT DESCRIPTION	QTY	IMPELLER KIT	WEAR KIT	SHAFT KIT	SCREW KIT	
1	01-13351-2	PUMP BODY F6B-9 (VP) 1/2 CAM	1					
2	01-13585-11	PULLEY F5/F6-9	1			09-47842		
3	08-812BT-1	IMPELLER F6 MC 97	1	09-812BT-1				
4	01-35985	BEARING HOUSING F5B-9 (VP)	1			09-47842		
5	0.2233.416	LIP SEAL 16X28X7 DPSM	1		09-47551-124	09-47842		
6	0.3431.753	BALL BEARING 6006 2RS1/VT901	1			09-47842		
7	0.0141.504	SCREW M5X40 DIN931 A2 SLOTTED	4		09-47551-124		09-47553-104	
8	0.2173.474	O-RING 4.1X1.6 SS1586 NBR70	4				09-47553-104	
9	0.2173.476	O-RING 54.6X2.4 NBR70	1	09-812BT-1	09-47551-124			
10	0.0371.058	RETAIN. RING BORE D55 DIN 472 SPRST	1			09-47842		
11	01-47129	SUPPORT BUSH 20X8 26 RUBBER	1					



ISO VIEW

REVISION HISTORY				
ECN	REV	ECN DESCRIPTION	DATE	SIGN
	P01			M.G

UNLESS OTHERWISE STATED THE FOLLOWING APPLIES:		NAME	DATE	The component or product design and specified according to this drawing must comply with applicable EHS laws and EU-directives	
Ra in µm	FACES WITHOUT TOLERANCES ACC. TO ISO 2768 - mK	M.G	04-Nov-2024	MASTER	STATUS WorkInProgress
APPROVED	M.G				PROJECTION METHOD ISO 128
MATERIAL		WEIGHT	3.0 kg	TYPE	F6B-9
PROJECT NUMBER	2652	SCALE	1:1.5		
DIN ISO 13715 Outside edge Ra 0.25 Inside edge Ra 0.5		SPXFLOW Johnson Pump		DESCRIPTION EXPLODED VIEW OF F6B-9 IMPELLER PUMP	
				DRAWING NUMBER	10-13569-14
				REVISION	P01

This Drawing/Document and information shown contains proprietary information of SPX FLOW and must not without permission and written consent be reproduced, copied, transmitted, transferred, disclosed, undue use, shown or handed out to any unauthorized person and is to be maintained in confidence.