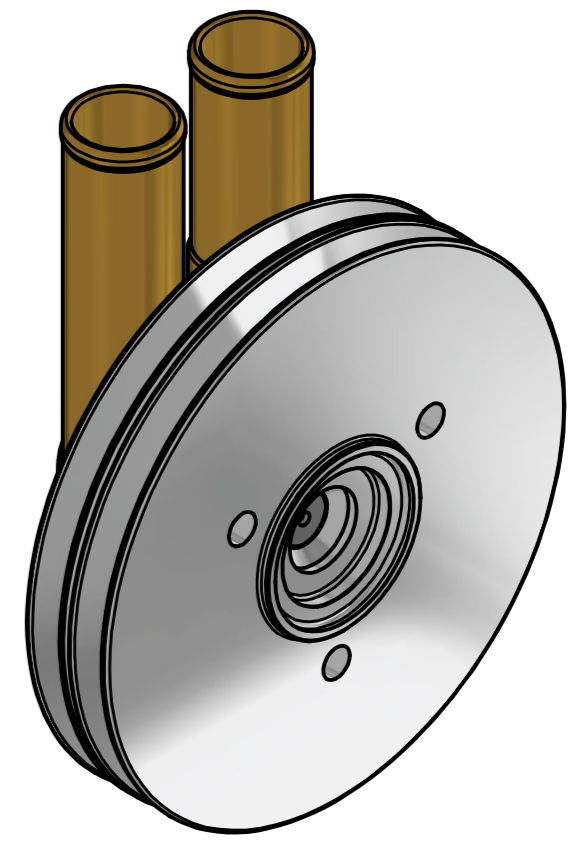
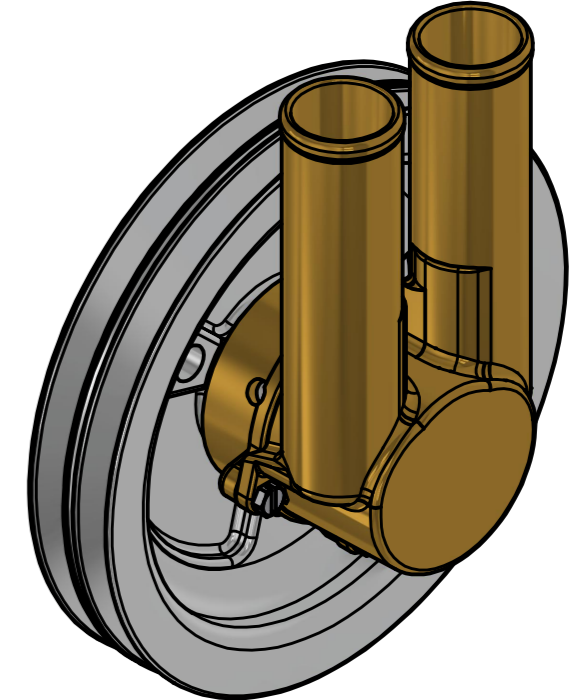
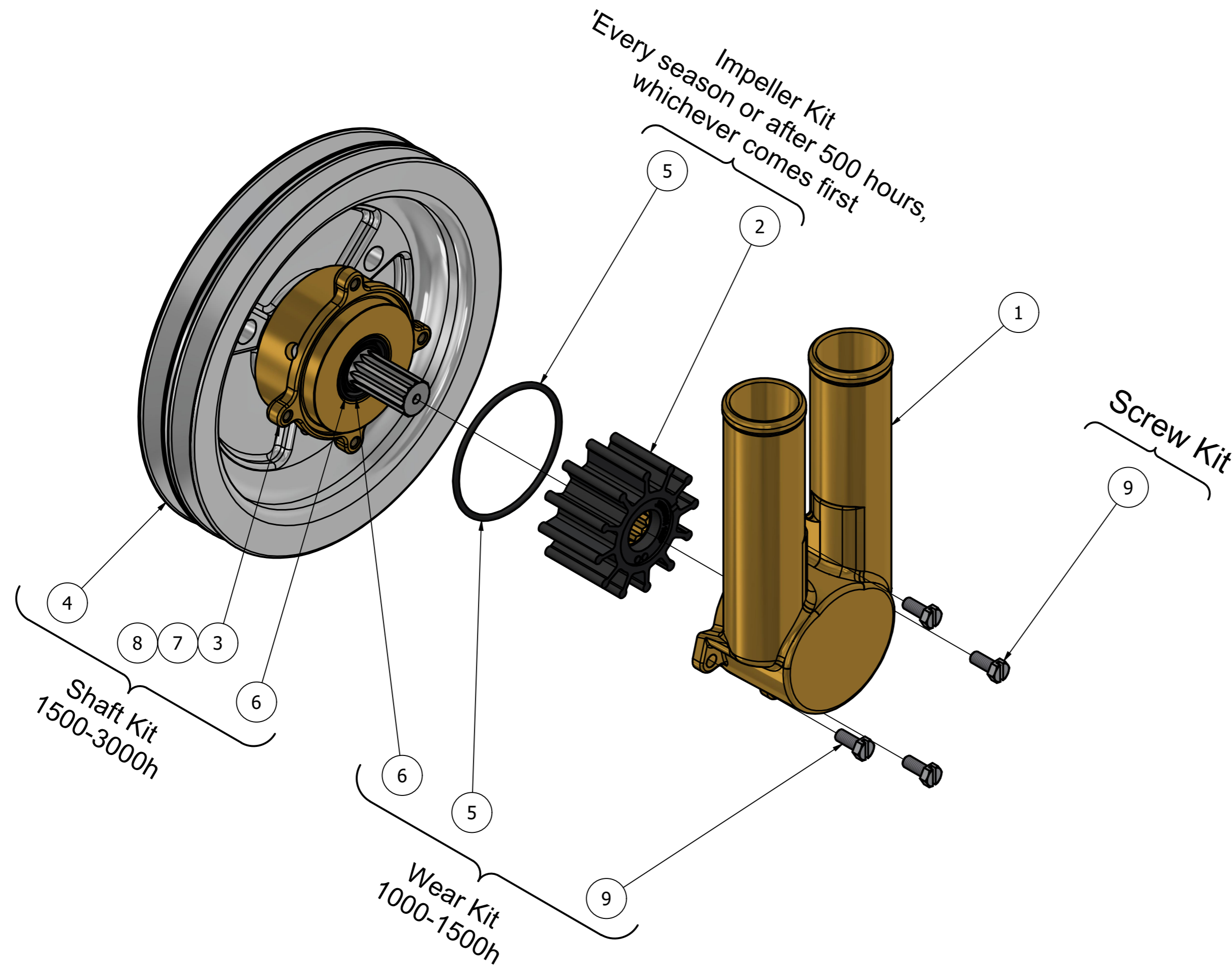


CUSTOMER DETAILS

|                  |  |
|------------------|--|
| OEM PUMP PART NO | 21427729   |
| MANUFACTURER     | VOLVO PENTA  |
| ENGINE           | 7.4GIPWTR, 7.4GSIPWTR, 8.2GSIPWTR, DPX385XWTR, DPX415XWTR; 7.4GiPEFS, 7.4GSiPEFS, 8.2GSiPEFS, DPX385XEFS, DPX415XEFS |
| PUMP DESCRIPTION | F5B-9 IMPELLER PUMP  |

PART LIST

| DRAWING POSITION | COMPONENTS  | COMPONENT DESCRIPTION               | QTY | IMPELLER KIT | WEAR KIT     | SHAFT KIT | SCREW KIT    |
|------------------|-------------|-------------------------------------|-----|--------------|--------------|-----------|--------------|
| 1                | 01-24665-1  | PUMP BODY F5B-9 (VP)                | 1   |              |              |           |              |
| 2                | 08-1027B-10 | IMPELLER F5 MC 97                   | 1   | 09-1027B-10  |              |           |              |
| 3                | 01-35985    | BEARING HOUSING F5B-9 (VP)          | 1   |              |              | 09-47839  |              |
| 4                | 01-13586-12 | PULLEY F5/F6                        | 1   |              |              | 09-47839  |              |
| 5                | 0.2173.476  | O-RING 54.6X2.4 NBR70               | 1   | 09-1027B-10  | 09-47551-124 |           |              |
| 6                | 0.2233.416  | LIP SEAL 16X28X7 DPSM               | 1   |              | 09-47551-124 | 09-47839  |              |
| 7                | 0.3431.753  | BALL BEARING 6006 2RS1/VT901        | 1   |              |              | 09-47839  |              |
| 8                | 0.0371.058  | RETAIN. RING BORE D55 DIN 472 SPRST | 1   |              |              | 09-47839  |              |
| 9                | 0.0141.503  | SCREW M5X12 ISO4017 (A4) SLOTTED    | 4   |              | 09-47551-124 |           | 09-47553-109 |



ISO VIEW

| REVISION HISTORY |     |                 |      |      |
|------------------|-----|-----------------|------|------|
| ECN              | REV | ECN DESCRIPTION | DATE | SIGN |
|                  | P01 |                 |      | M.G  |

|  |  |                     |             |  |                           |
|--|--|---------------------|-------------|--|---------------------------|
| UNLESS OTHERWISE STATED THE FOLLOWING APPLIES: |  | NAME                | DATE        | The component or product design and specified according to this drawing must comply with applicable EHS laws and EU-directives |                           |
| Ra in µm                                       | FACES WITHOUT TOLERANCES ACC. TO ISO 2768 - mK | M.G                 | 25-Oct-2024 | MASTER   | STATUS WorkInProgress     |
| APPROVED                                       | M.G  |                     |             |  | PROJECTION METHOD ISO 128 |
| MATERIAL                                       | N/A  |                     |             | F5B-9  | SCALE 1:1.5               |
| DIN ISO 13715                                  |  | PROJECT NUMBER 2652 |             | DESCRIPTION EXPLODED VIEW OF F5B-9 IMPELLER PUMP   |                           |
| Outside edge                                   | Inside edge                                    | SPXFLOW             |             | DRAWING NUMBER 10-13568-12   |                           |
| 0.25   | +0.5   | Johnson Pump        |             | REVISION P01   |                           |

This Drawing/Document and information shown contains proprietary information of SPX FLOW and must not without permission and written consent be reproduced, copied, transmitted, transferred, disclosed, undue use, shown or handed out to any unauthorized person and is to be maintained in confidence.