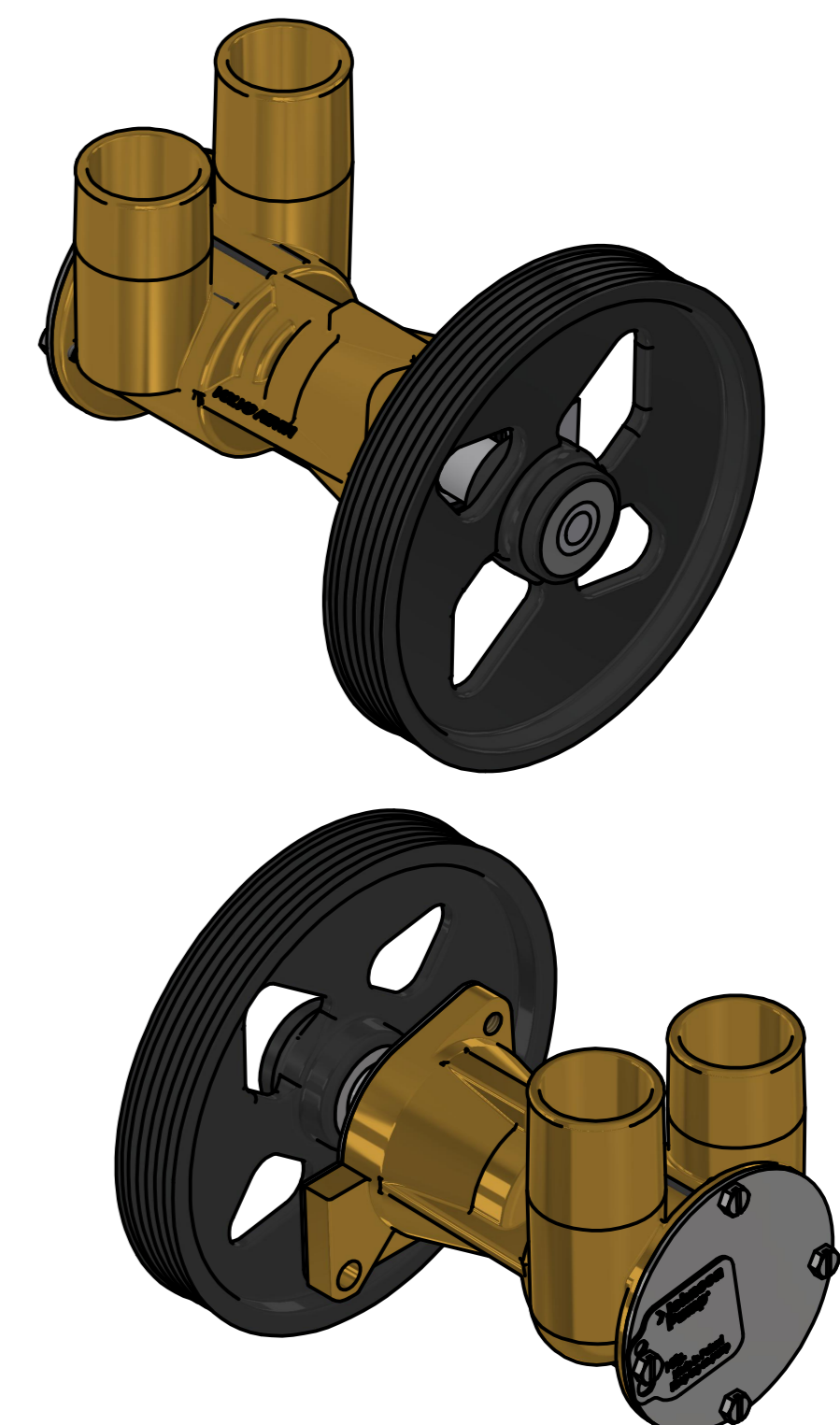
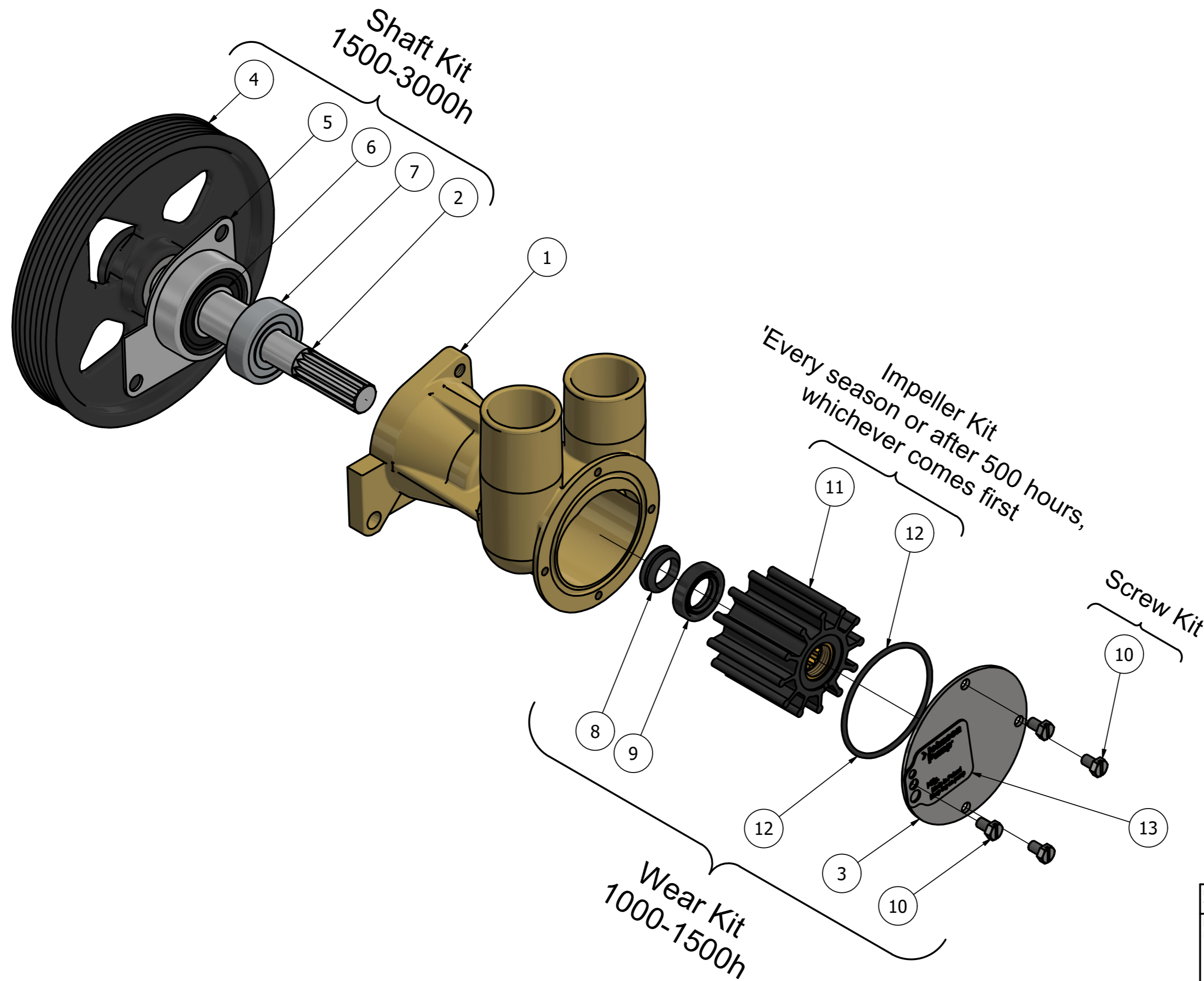


CUSTOMER DETAILS	
OEM PUMP PART NO	21141637
MANUFACTURER	VOLVO PENTA
ENGINE	D3-110I-A, D3-110I-B, D3-110I-C, D3-130A-A, D3-130A-B, D3-130A-C, D3-130I-A, D3-130I-B, D3-130I-C, D3-160A-A, D3-160A-B, D3-160A-C, D3-160I-A, D3-160I-B, D3-160I-C, D3-190A-B, D3-190A-C, D3-190I-A, D3-190I-B, D3-190I-C
PUMP DESCRIPTION	F6B-9 IMPELLER PUMP

		PART LIST					
DRAWING POSITION	COMPONENTS	COMPONENT DESCRIPTION	QTY	IMPELLER KIT	WEAR KIT	SHAFT KIT	SCREW KIT
1	01-13330-11	PUMP BODY F6B-9	1				
2	01-36007	SHAFT F6B-9	1			09-47552-113	
3	01-46556	END COVER F6B-9	1		09-47551-109		
4	01-36307-1	PULLEY VP	1			09-47552-113	
5	01-36008	PLATE	1			09-47552-113	
6	0.3431.779	BALL BEARING 6304-2RSH	1			09-47552-113	
7	0.3431.742	BALL BEARING 6203-2RSH	1			09-47552-113	
8	0.2230.015	V-RING 15.5-17.5 NBR/65SH	1		09-47551-109		
9	0.2233.416	LIP SEAL 16X28X7 DPSM	1		09-47551-109		
10	0.0141.505	SCREW M5X8 ISO4017 (A2) SLOTTED	4		09-47551-109		09-47553-105
11	08-812BT-1	IMPELLER F6 MC 97 THREAD	1	09-812BT-1			
12	0.2173.475	O-RING 57.6X2.4 SS1586 NBR70	1	09-812BT-1	09-47551-109		
13	01-47826-2	MARKING TAG	1				



ISO VIEW

REVISION HISTORY				
ECN	REV	ECN DESCRIPTION	DATE	SIGN
	P01			SHETTY N.

UNLESS OTHERWISE STATED THE FOLLOWING APPLIES:		NAME	DATE	The component or product design and specified according to this drawing must comply with applicable EHS laws and EU-directives	
Ra in µm	FACES WITHOUT TOLERANCES ACC. TO ISO 2768 - mK	SHETTY N.	13-Nov-2024	MASTER	STATUS WorkInProgress
ISO 1302		APPROVED			PROJECTION METHOD ISO 128
		SHETTY N.			SCALE 1:1.75
		MATERIAL	WEIGHT 2.8 kg	TYPE F6B-9	
DIN ISO 13715		PROJECT NUMBER 2652	DESCRIPTION EXPLODED VIEW OF F6B-9 IMPELLER PUMP		
Outside edge	Inside edge	SPXFLOW		DRAWING NUMBER 10-13449-11	
0.25	+0.5	Johnson Pump		REVISION P01	

This Drawing/Document and information shown contains proprietary information of SPX FLOW and must not without permission and written consent be reproduced, copied, transmitted, transferred, disclosed, undue use, shown or handed out to any unauthorized person and is to be maintained in confidence.