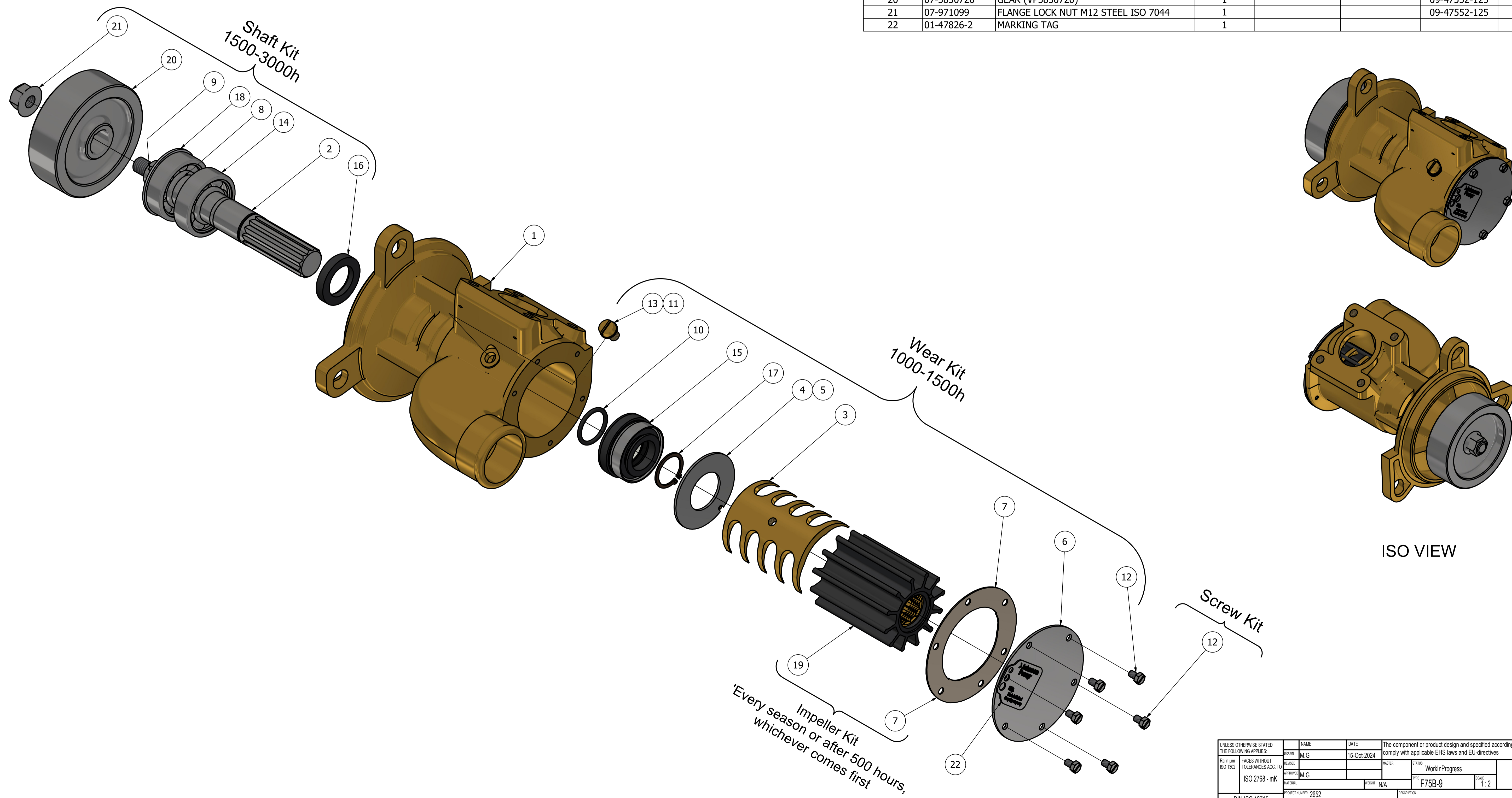


CUSTOMER DETAILS	
OEM PUMP PART NO	3836563
MANUFACTURER	VOLVO PENTA
ENGINE	TAMD63L-A, TAMD63P-A, TAMD72A
PUMP DESCRIPTION	F75B-9 IMPELLER PUMP

DRAWING POSITION	COMPONENTS	COMPONENT DESCRIPTION	PART LIST				
			QTY	IMPELLER KIT	WEAR KIT	SHAFT KIT	SCREW KIT
1	01-13264-1	PUMP HOUSING F75B-9 (VP)	1				
2	01-35911	SHAFT F75B-9	1			09-47552-125	
3	01-46146	CAM 1/1 F75B	1		09-47551-118		
4	01-47725	WEAR PLATE F75B-9	1		09-47551-118		
5	01-42400	PIN F35B-/F7B/F70B	1		09-47551-118		
6	01-47770-1	END COVER F75B-9	1		09-47551-118		
7	01-46286-3	GASKET F75B	1	09-821BT-1	09-47551-118		
8	01-46832	SPACER	1			09-47552-125	
9	0.0503.027	WOODRUFF KEY 3X5X13 ST DIN 6888	1			09-47552-125	
10	0.2172.573	O-RING 23.4X3.53 BS1806 NBR70	1		09-47551-118		
11	01-46790-02	WASHER D8.2XD14X1 CU	1		09-47551-118		
12	0.0141.505	SCREW M5X8 ISO4017 (A2) SLOTTED	6		09-47551-118		09-47553-105
13	01-46794-12	SCREW M8X12 AL.BRONZE	1		09-47551-118		
14	0.3431.030	BALL BEARING 6304/C3	2			09-47552-125	
15	0.2247.008	MECH. SEAL COMPL FA25.47.14	1		09-47551-118		
16	0.2233.008	OIL SEAL 25X40X7 BAUSL NBR	1			09-47552-125	
17	0.0370.525	EXT. CIRCLIP D25 DIN471 BRONZE	1		09-47551-118		
18	0.0371.052	RETAIN. RING BORE D52 DIN472 SPRST	1			09-47552-125	
19	08-821BT	IMPELLER F75 NEOPRENE THREAD	1	09-821BT-1			
20	07-3830720	GEAR (VP3830720)	1			09-47552-125	
21	07-971099	FLANGE LOCK NUT M12 STEEL ISO 7044	1			09-47552-125	
22	01-47826-2	MARKING TAG	1				



ISO VIEW

This Drawing/Document and information shown contains proprietary information of SPX FLOW and must not without permission and written consent be reproduced, copied, transmitted, transferred, disclosed, used, shown or handed out to any unauthorized person and is to be maintained in confidence.

REVISION HISTORY				
ECN	REV	ECN DESCRIPTION	DATE	SIGN
	P01			M.G

UNLESS OTHERWISE STATED THE FOLLOWING APPLIES:		DATE	The component or product design and specified according to this drawing must comply with applicable EHS laws and EU-directives	
DRWN	M.G	15-Oct-2024	STATUS	WorkInProgress
REVIS			TITLE	F75B-9
APPROV	M.G		SCALE	1:2
ISO 2768 - mK		REPORT	N/A	
DIN ISO 13715		PROJECT NUMBER	2652	DESCRIPTION
Outside edge	+0.25	EXPLODED VIEW OF F75B-9 IMPELLER PUMP		
Inside edge	+0.5	DRAWING NUMBER		
		10-13306-11		REVISION
				P01