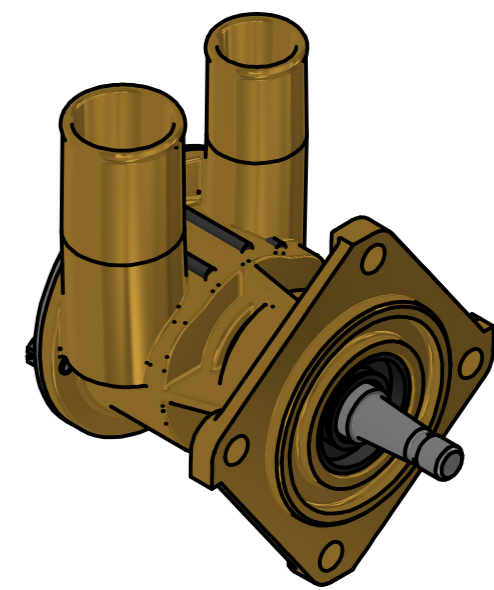
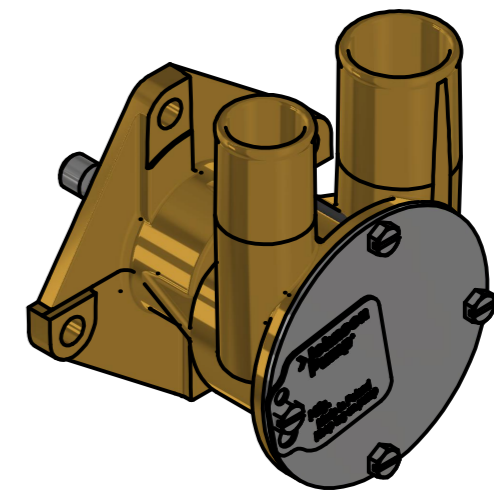
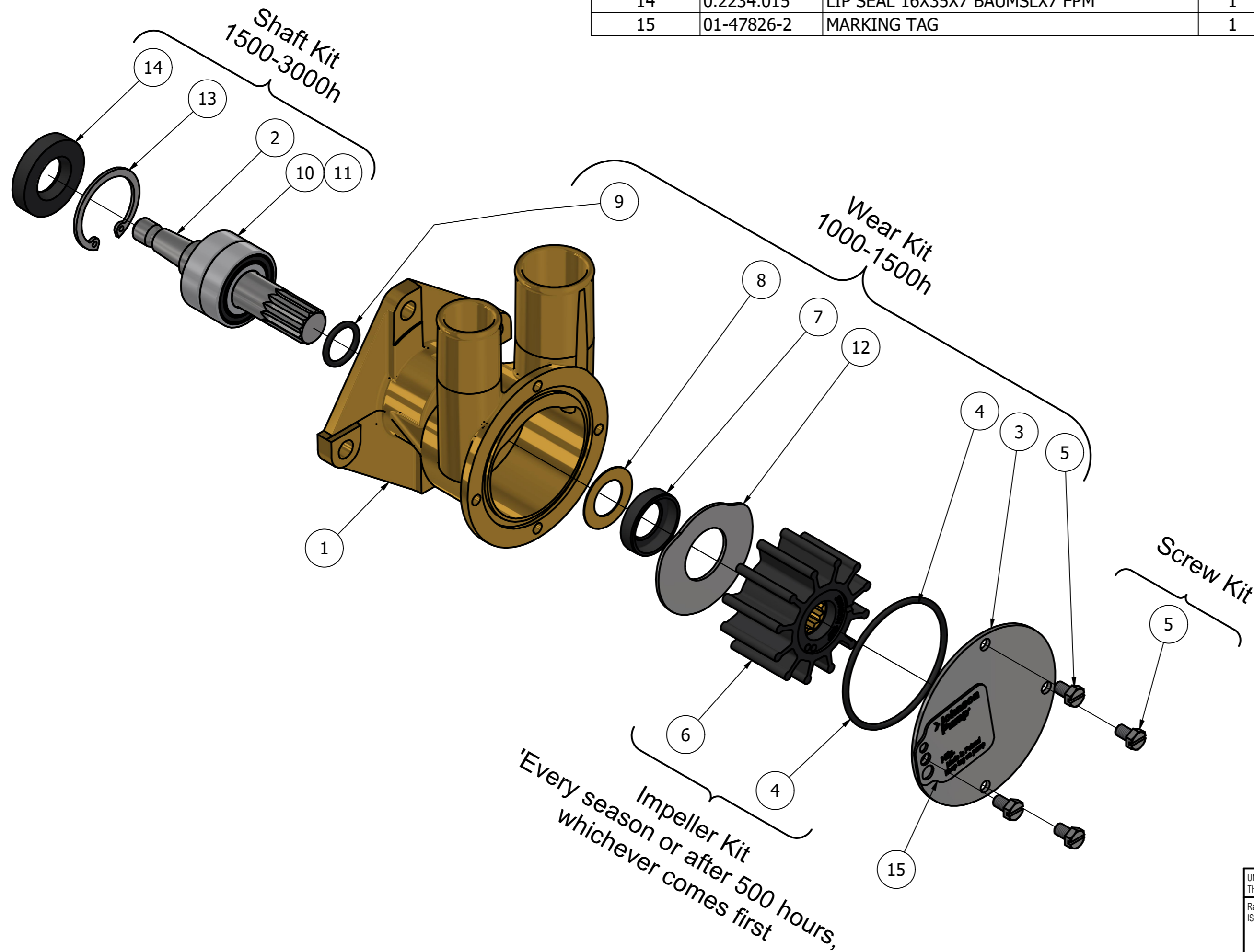


CUSTOMER DETAILS	
OEM PUMP PART NO	3583089
MANUFACTURER	VOLVO PENTA & PERKINS
ENGINE	D2-50F, D2-55, D2-55B, D2-55C, D2-55D, D2-55E, D2-55F, D2-60F, D2-75, D2-75B, D2-75C, D2-75F
PUMP DESCRIPTION	F5B-9 IMPELLER PUMP

PART LIST			QTY	IMPELLER KIT	WEAR KIT	SHAFT KIT	SCREW KIT
DRAWING POSITION	COMPONENTS	COMPONENT DESCRIPTION					
1	01-13335-1	PUMP BODY F5B-P (VP)	1				
2	01-46896	SHAFT F5B-9	1			09-47552-108	
3	01-47768-1	END COVER F6B SS	1		09-47551-104		
4	0.2173.475	O-RING 57.6X2.4 SS1586 NBR70	1	09-1027B-1	09-47551-104		
5	0.0141.505	SCREW M5X8 ISO4017 (A2) SLOTTED	4		09-47551-104		09-47553-105
6	08-1027B	IMPELLER F5 NEOPRENE	1	09-1027BT / 09-1027B-1			
7	0.2233.252	LIP SEAL 16X28X7 B	1		09-47551-104		
8	01-45680	WASHER F5B/F6B/F7B	1		09-47551-104		
9	0.2173.402	O-RING 15.3X2.4 SS1586 NBR70	1		09-47551-104		
10	0.3431.755	BALL BEARING 6003 2RS1 ST	2			09-47552-108	
11	0.0370.017	RETAIN. RING SHAFT D17 DIN471 SPRST	1			09-47552-108	
12	01-46532	WEAR PLATE SS F5B-9	1		09-47551-104		
13	0.0371.035	RETAIN. RING BORE D35 DIN472 SPRST	1			09-47552-108	
14	0.2234.015	LIP SEAL 16X35X7 BAUMSLX7 FPM	1			09-47552-108	
15	01-47826-2	MARKING TAG	1				



ISO VIEW

REVISION HISTORY				
ECN	REV	ECN DESCRIPTION	DATE	SIGN
	P01			M.G

UNLESS OTHERWISE STATED THE FOLLOWING APPLIES:		NAME	DATE	The component or product design and specified according to this drawing must comply with applicable EHS laws and EU-directives	
Ra in µm	FACES WITHOUT TOLERANCES ACC. TO ISO 2768 - mK	M.G	25-Oct-2024	MASTER	STATUS WorkInProgress
APPROVED	M.G				PROJECTION METHOD ISO 128
MATERIAL		WEIGHT	N/A	TYPE	F5B-9
				SCALE	1:1.5
DIN ISO 13715		PROJECT NUMBER	2652	DESCRIPTION	
Outside edge	Inside edge			EXPLODED VIEW OF F5B-9 IMPELLER PUMP	
0.25	+0.5			DRAWING NUMBER	
				10-13283-11	
				REVISION	
				P01	

This Drawing/Document and information shown contains proprietary information of SPX FLOW and must not without permission and written consent be reproduced, copied, transmitted, transferred, disclosed, undue use, shown or handed out to any unauthorized person and is to be maintained in confidence.