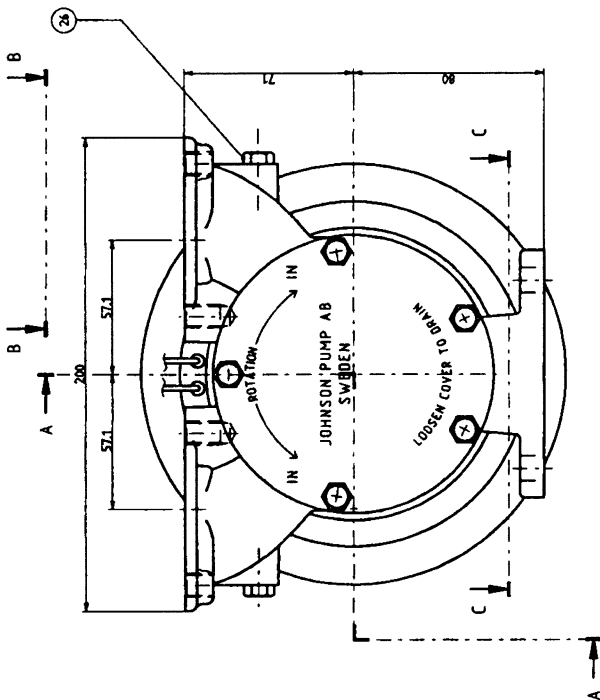
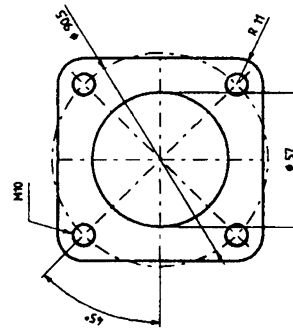


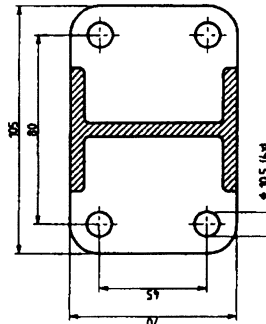
A-spacer
A-groove



VY B-B



SMTI C-C



Revisering nr	Pump nr / tryckskilts nr / parts list	Pump typ	Meritering på lock
Drawing no	10-13178-99	Pump Type	Mark on endcover
03-13178	10-13178-99	F9B-5600-TSS	Pump nr + pump nr + Hlv. nr + version nr
			Pump Type + pump nr + max. year + version

Part nr enligt tryckskilts nr
Part nr enligt parts list

REVISERING	DATE	BY	REASON
1			
2			
3			
4			
5			
6			
7			
8			
9			
10			
11			
12			
13			
14			
15			
16			
17			
18			
19			
20			
21			
22			
23			
24			
25			
26			
27			
28			
29			
30			
31			
32			
33			
34			
35			
36			
37			
38			
39			
40			
41			
42			
43			
44			
45			
46			
47			
48			
49			
50			
51			
52			
53			
54			
55			
56			
57			
58			
59			
60			
61			
62			
63			
64			
65			
66			
67			
68			
69			
70			
71			
72			
73			
74			
75			
76			
77			
78			
79			
80			
81			
82			
83			
84			
85			
86			
87			
88			
89			
90			
91			
92			
93			
94			
95			
96			
97			
98			
99			
100			

10-13178-99

P01

03-13178

Johnson Impellerpump
F9B-5600-TSS

10-13178-99

10-13178-99

10-13178-99

10-13178-99

10-13178-99

10-13178-99

10-13178-99

10-13178-99

10-13178-99

10-13178-99

10-13178-99

10-13178-99

10-13178-99

10-13178-99

10-13178-99

10-13178-99

10-13178-99

10-13178-99

10-13178-99

10-13178-99

10-13178-99

10-13178-99

10-13178-99

F9B-5600-TSS Impeller pump W/O Clutch

Article No. 10-13178-99

Service Kit No. 09-45582

Position	Quantity	Part No.	Description
1	1	01-13003	Body F9B
2	1	01-42422-1	Endcover F8/F9B-
3	1	01-35138	Shaft F8/F9B-5000
4	1	01-43137	Cam 1/1 F9B-
5	1	08-814B	Impeller
6	1	01-42424	Gasket F8B/F9B
7	1	01-42426	Pin
8	1	01-42423	Wearplate F8/F80/F9/F95B-
9	1	01-13020	Pedestal F8/F9B-3000/-5000
10	1	01-42747	Spacer F8/F9
11	1	01-35144-2	Adaptor F8/F9B-5000
12	1	05-19-505	V-ring
13	1	05-20-118	Mech. seal compl.
14	2	05-08-504	Ball bearing
15	1	05-34-118	Retaining ring
16	2	05-34-108	Retaining ring
19	4	05-02-101	Washer
22	3	05-04-139	Set screw
25	4	05-04-128	Screw
27	1	05-04-108	Screw
28	5	05-04-46	Screw