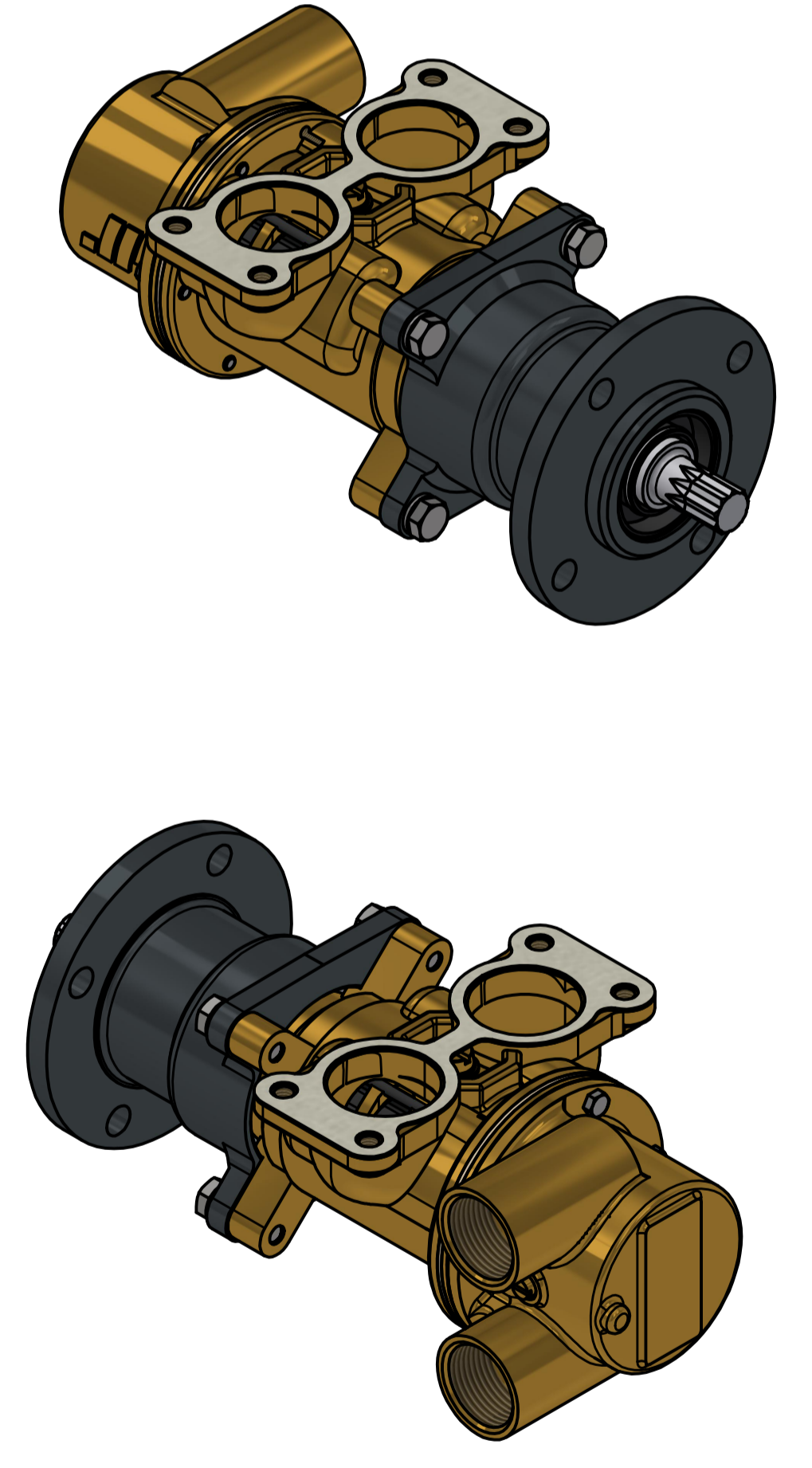
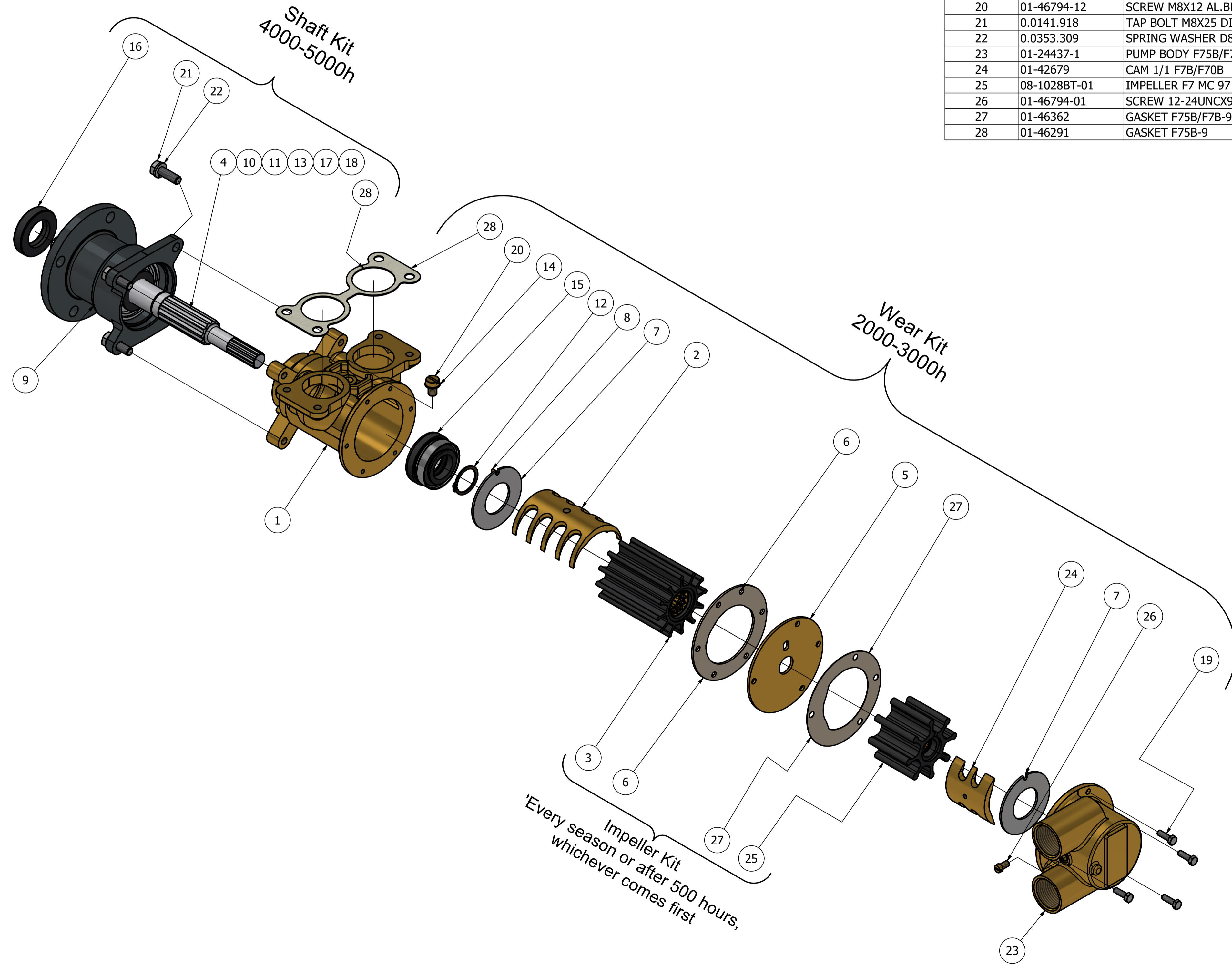


| CUSTOMER DETAILS |                                    |
|------------------|------------------------------------|
| OEM PUMP PART NO | 51.06500-7034                      |
| MANUFACTURER     | MAN TRUCK & BUS                    |
| ENGINE           | D2866LE401, 402, 403. 405          |
| PUMP DESCRIPTION | F75B/F7B-9 IMPELLER PUMP OEM (MAN) |

| DRAWING POSITION | COMPONENTS   | COMPONENT DESCRIPTION              | PART LIST |              |          |           |           |
|------------------|--------------|------------------------------------|-----------|--------------|----------|-----------|-----------|
|                  |              |                                    | QTY       | IMPELLER KIT | WEAR KIT | SHAFT KIT | SCREW KIT |
| 1                | 01-13123-1   | PUMP BODY F75B-9                   | 1         |              |          |           |           |
| 2                | 01-46146     | CAM 1/1 F75B                       | 1         |              | X        |           |           |
| 3                | 08-821BT-1   | IMPELLER F75 MC 97 THREAD          | 1         | 09-821BT-1   |          |           |           |
| 4                | 01-35702     | SHAFT F75B/F7B-                    | 1         |              |          | X         |           |
| 5                | 01-46361     | WASHER F75B/F7B-9                  | 1         |              | X        |           |           |
| 6                | 01-46286-3   | GASKET F75B                        | 1         | 09-821BT-1   | X        |           |           |
| 7                | 01-47725     | WEAR PLATE F7B/F70B                | 2         |              | X        |           |           |
| 8                | 01-42400     | PIN F35B-/F7B/F70B                 | 1         |              | X        |           |           |
| 9                | 01-24439-1   | BEARING HOUSING F75B/F7B-9         | 1         |              |          |           |           |
| 10               | 01-46284-2   | SPACER F75B-9                      | 1         |              |          | X         |           |
| 11               | 01-42427-15  | SLINGER F8/F9B-                    | 1         |              |          | X         |           |
| 12               | 0.0370.525   | EXT. CIRCLIP D25 DIN471 BRONZE     | 2         |              | X        | X         |           |
| 13               | 0.0371.062   | RETAIN. RING BORE D62 DIN472 SPRST | 1         |              |          | X         |           |
| 14               | 01-46790-02  | WASHER D8.2XD14X1 CU               | 1         |              | X        |           |           |
| 15               | 0.2247.008   | MECH. SEAL COMPL FA25.47.14        | 1         |              | X        |           |           |
| 16               | 0.2233.352   | LIP SEAL 25X47X7 BAUM3X7 VITON     | 1         |              |          | X         |           |
| 17               | 0.3431.001   | BALL BEARING 6205 2 RS C3 ST       | 1         |              |          | X         |           |
| 18               | 0.3431.044   | BALL BEARING 6305-2RS1 C3 ST       | 1         |              |          | X         |           |
| 19               | 0.0138.921   | TAP BOLT M5X16 M DIN933 A4         | 4         |              | X        |           |           |
| 20               | 01-46794-12  | SCREW M8X12 AL.BRONZE              | 1         |              | X        |           |           |
| 21               | 0.0141.918   | TAP BOLT M8X25 DIN933 8.8ZP        | 4         |              |          | X         |           |
| 22               | 0.0353.309   | SPRING WASHER D8.1 DIN127B STZN    | 4         |              |          | X         |           |
| 23               | 01-24437-1   | PUMP BODY F75B/F7B-9               | 1         |              |          |           |           |
| 24               | 01-42679     | CAM 1/1 F7B/F70B                   | 1         |              | X        |           |           |
| 25               | 08-1028BT-01 | IMPELLER F7 MC 97 THREAD           | 1         | 09-1028BT-1  |          |           |           |
| 26               | 01-46794-01  | SCREW 12-24UNCX9.5 BRASS           | 1         |              | X        |           |           |
| 27               | 01-46362     | GASKET F75B/F7B-9                  | 1         | 09-1028BT-1  | X        |           |           |
| 28               | 01-46291     | GASKET F75B-9                      | 1         |              | X        | X         |           |



ISO VIEW

| REVISION HISTORY |     |                 |      |      |
|------------------|-----|-----------------|------|------|
| ECN              | REV | ECN DESCRIPTION | DATE | SIGN |
|                  | P01 |                 |      | M.G  |

|  |                                 |                         |             |  |   |
|--|---------------------------------|-------------------------|-------------|--|---|
| UNLESS OTHERWISE STATED THE FOLLOWING APPLIES: |                                 | NAME                    | DATE        | The component or product design and specified according to this drawing must comply with applicable EHS laws and EU-directives |   |
| ISO 1312                                       | FACES WITHOUT TOLERANCES ACC TO | DESIGN                  | 12-Mar-2025 | STATUS   | WorkInProgress                            |
| ISO 2768 - mK                                  |                                 | APPROVED                |             | PROJECT NUMBER   | F75B/F7B-9                                |
| DIN ISO 13715                                  |                                 | PROJECT NUMBER          |             | SCALE  | 1:2                                       |
| Outside edge                                   | Inside edge                     | 2652                    |             | DESCRIPTION  | EXPLODED VIEW OF F75B/F7B-9 IMPELLER PUMP |
| 0.25   | 0.5                             | SPXFLOW<br>Johnson Pump |             | DRAWING NUMBER   | 10-13142-11                               |
|  |                                 |                         |             |  | REVISION                                  |
|  |                                 |                         |             |  | P01                                       |

This Drawing/Document and information shown contains proprietary information of SPX FLOW and must not without permission and written consent be reproduced, copied, transmitted, transferred, disclosed, or used in any way by any unauthorized person and is to be maintained in confidence.