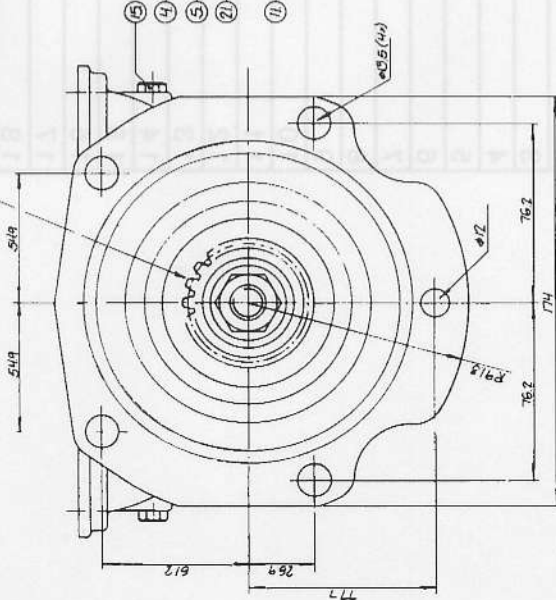


Pluck = 10/2
 RIVET = 1/8" x 20
 PRESSURE = 200 PSI



Pos.	Qty.	Description	Material	Dimension	Drawing no.
1	1	Service kit	Service kit		02-45582
30	1	Washer	Bricka		05-02-511
24	6	Washer	Bricka		05-02-518
28	6	Screw	Skruv		05-04-159
27	1	Flange	Flans		01-24339
26	1	Coupling	Koppling		01-35350
24	1	Gasket	Packning		01-35351
24	1	Gasket	Packning		01-40060
23	1	Nut	Mutter		05-05-513
22	1	Washer	Bricka		05-01-521
21	1	Screw	Skruv		05-04-46
20	5	Screw	Skruv		05-04-108
19	1	Screw	Skruv		05-04-128
18	4	Washer	Bricka		05-02-101
17	4	Key	Kil		01-46352
16	1	Ball bearing	Kullager		05-08-505
15	2	Plug	Plugg		05-03-127
14*	1	Mech. seal	Mek. tätning		05-20-118
13	1	Lip seal	Läpp tätning		05-20-517
12	1	Slinger	Kastring		01-42427-15
11	1	End cover	Lock		01-42422-1
10	1	Retaining ring	Låsring		05-34-502
9*	1	Retaining ring	Låsring		05-34-108
8*	1	Gasket	Packning		01-42424
7	1	Wear plate	Siltbricka		01-42423
6	1	Pin	Stift		01-42426
5*	1	Impeller	Impeller		08-814B
4	1	Cam	Kam		01-43151
3	1	Shaft	Axel		01-35212
2	1	Bearing house	Lagerhus		01-25246
1	1	Body	Pumphus		01-25340

ANSI 115 mm B5
 3/8" x 1/2" x 20
 3/8" x 1/2" x 20
 3/8" x 1/2" x 20
 3/8" x 1/2" x 20



JOHNSON PUMP

Engine cooling