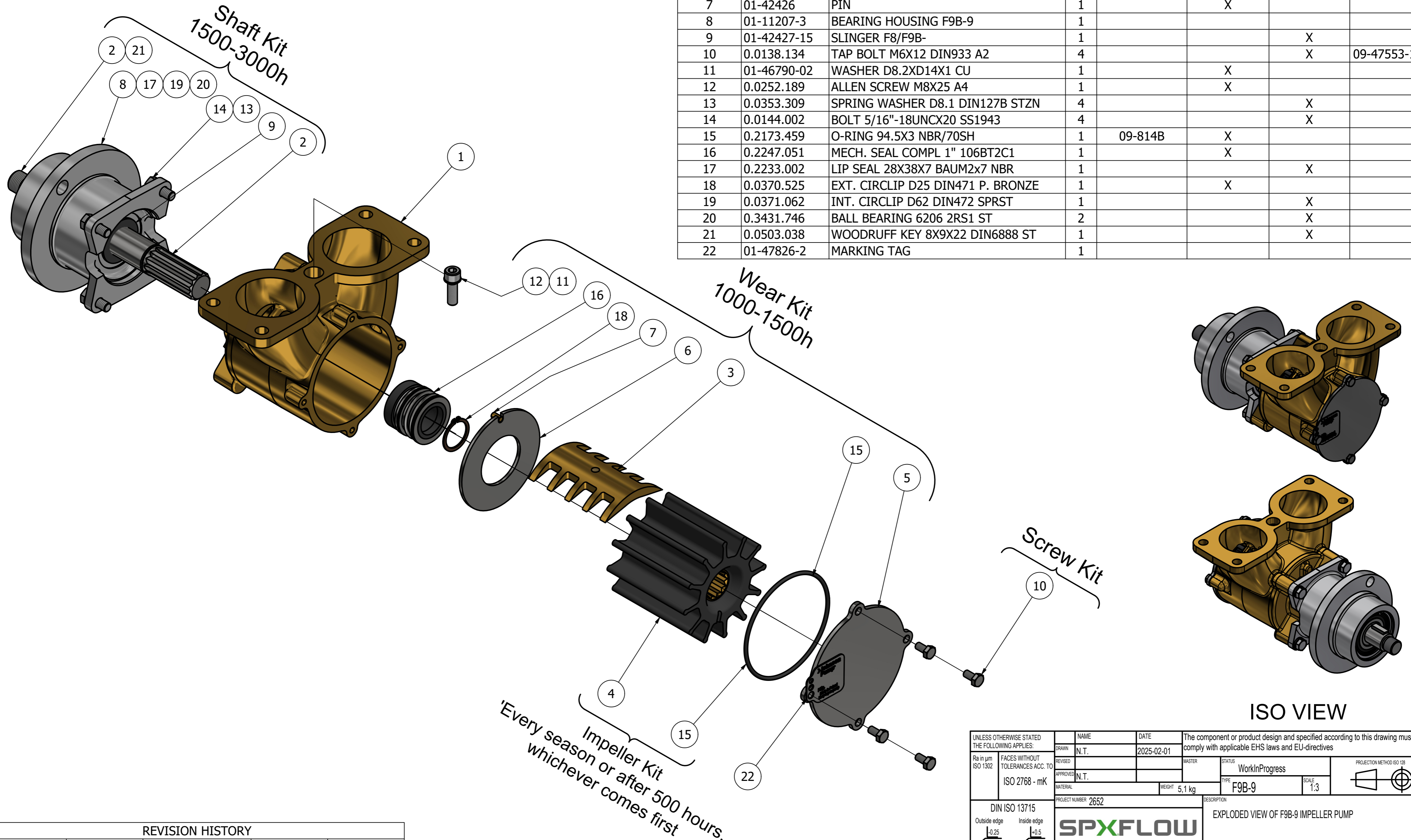


CUSTOMER DETAILS	
OEM PUMP PART NO	5062040000
MANUFACTURER	MTU
ENGINE	Series 183
PUMP DESCRIPTION	F9B-9 IMPELLER PUMP

DRAWING POSITION	COMPONENTS	COMPONENT DESCRIPTION	QTY	PART LIST			
				IMPELLER KIT	WEAR KIT	SHAFT KIT	SCREW KIT
1	01-11370	PUMP BODY F9B-9	1				
2	01-35276	SHAFT F9B-9	1			X	
3	01-45173	CAM 1/1 F9B-9	1		X		
4	08-814B	IMPELLER F9 NEOPRENE	1	09-814B			
5	01-47772-1	END COVER F9B-9	1		X		
6	01-46538	WEAR PLATE F8/F9/F95 SS	1		X		
7	01-42426	PIN	1		X		
8	01-11207-3	BEARING HOUSING F9B-9	1				
9	01-42427-15	SLINGER F8/F9B-	1			X	
10	0.0138.134	TAP BOLT M6X12 DIN933 A2	4			X	09-47553-107
11	01-46790-02	WASHER D8.2XD14X1 CU	1		X		
12	0.0252.189	ALLEN SCREW M8X25 A4	1		X		
13	0.0353.309	SPRING WASHER D8.1 DIN127B STZN	4			X	
14	0.0144.002	BOLT 5/16"-18UNCX20 SS1943	4			X	
15	0.2173.459	O-RING 94.5X3 NBR/70SH	1	09-814B	X		
16	0.2247.051	MECH. SEAL COMPL 1" 106BT2C1	1		X		
17	0.2233.002	LIP SEAL 28X38X7 BAUM2x7 NBR	1			X	
18	0.0370.525	EXT. CIRCLIP D25 DIN471 P. BRONZE	1		X		
19	0.0371.062	INT. CIRCLIP D62 DIN472 SPRST	1			X	
20	0.3431.746	BALL BEARING 6206 2RS1 ST	2			X	
21	0.0503.038	WOODRUFF KEY 8X9X22 DIN6888 ST	1			X	
22	01-47826-2	MARKING TAG	1				



This Drawing/Document and information shown contains proprietary information of SPX FLOW and must not be reproduced, copied, transmitted, transferred, disclosed, undue use, shown or handed out to any unauthorized person and is to be maintained in confidence.

REVISION HISTORY				
ECN	REV	ECN DESCRIPTION	DATE	SIGN
	P01		04-Feb-2025	N.T.

UNLESS OTHERWISE STATED THE FOLLOWING APPLIES:		NAME	DATE	The component or product design and specified according to this drawing must comply with applicable EHS laws and EU-directives	
Ra in µm	FACES WITHOUT TOLERANCES ACC. TO ISO 2768 - mK	N.T.	2025-02-01	MASTER	STATUS WorkInProgress
APPROVED		N.T.			PROJECTION METHOD ISO 128
MATERIAL			WEIGHT 5,1 kg	TYPE F9B-9	SCALE 1:3
DIN ISO 13715		PROJECT NUMBER 2652		DESCRIPTION EXPLODED VIEW OF F9B-9 IMPELLER PUMP	
Outside edge	Inside edge	SPXFLOW		DRAWING NUMBER 10-13080-01	
±0.25	±0.5	Johnson Pump		REVISION P01	