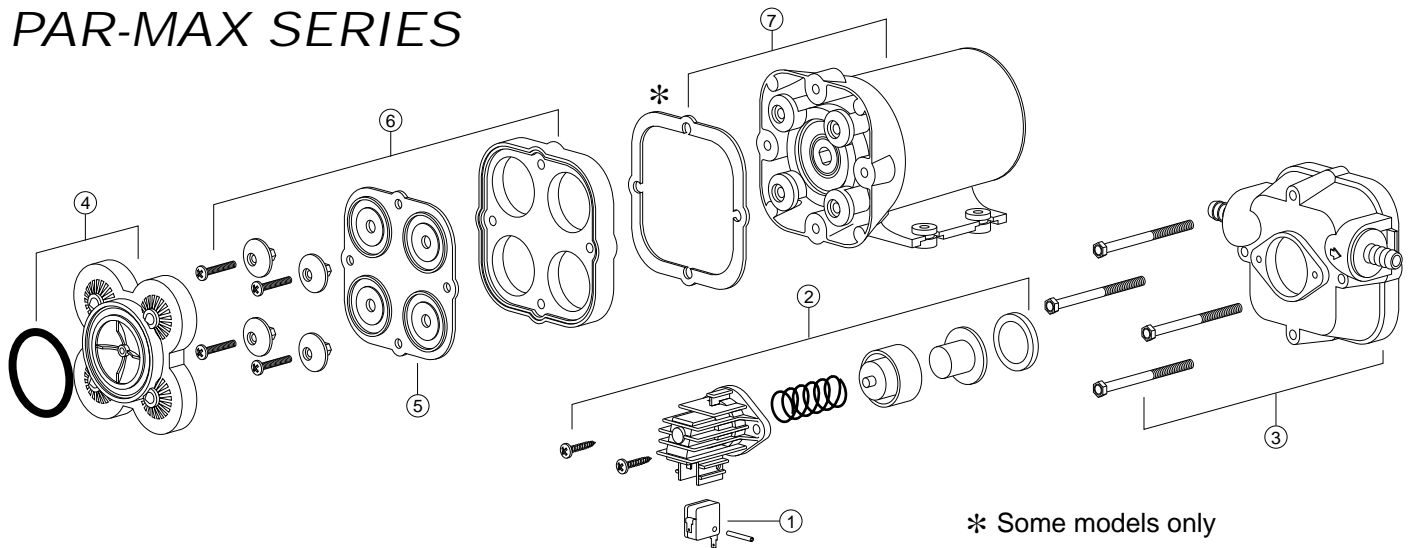


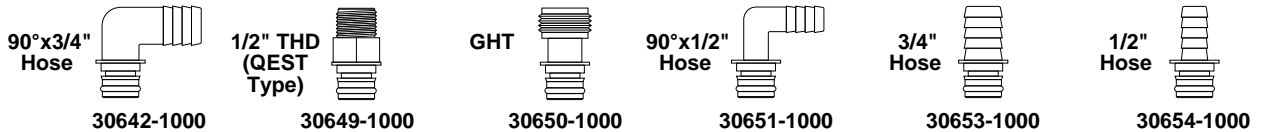
Replacement Parts PAR-MAX & CENTRI-MAX

PAR-MAX SERIES



* Some models only

Optional Port Kit Adaptors available (2 per Kit)



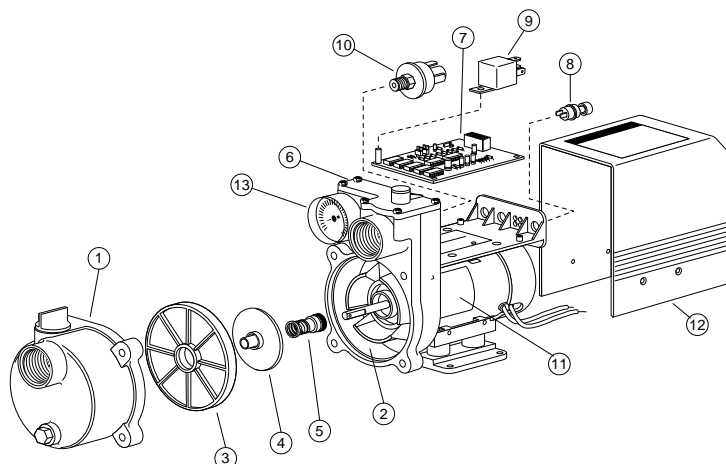
KEY	DESCRIPTION	QTY	PART NUMBERS					
			30600-SERIES	30610-SERIES	30620-SERIES	30631-SERIES	30700-SERIES	30705-SERIES
1	Micro-Switch	1	18753-0141	N/A	18753-0141	N/A	18753-0141	N/A
2	Pressure Switch	1	37121-0010	N/A	37121-0010	N/A	44050-1000	N/A
	Low Pressure Switch	1	44814-1000**	N/A	44814-1000**	N/A	N/A	N/A
3	Body Kit	1	30608-1000	30608-1001	30608-1000	30608-1001	30608-1000	30608-1001
4	Valve Kit	1	30613-1001	30613-1001	30613-1001	30613-1001	30613-1001	30613-1001
5	Diaphragm Kit	1	30617-1000	30617-1000	30617-1000	30617-1000	30617-1000	30617-1000
6	Plate/Piston Kit	1	30682-1000	30682-1000	30682-1000	30682-1000	30682-1000	30682-1000
7	Motor Kit 12 Vdc	1	18753-0444	18753-0444	18753-0463	18753-0463	18753-0489	18753-0489
	24 Vdc	1	18753-0451	18753-0451	18753-0464	18753-0464	18753-0490	18753-0490
	Standard:							
	Port Kits: 1/2" Barb	2	30654-1000	N/A	30654-1000	N/A	N/A	N/A
	1/2" Threaded (QEST Type)	2	30649-1000	N/A	30649-1000	N/A	N/A	N/A
	3/4" Barb	2		30653-1000		30653-1000	30653-1000	30653-1000
	Pumpgard Strainer	1	N/A	36200-0000	N/A	N/A	36200-1000	36200-1000
	Spray Nozzle	1	N/A	N/A	N/A	N/A	30703-1000	N/A

** Low Pressure Switch used on -0212 and -0224 models.

NOTE: Model 30621-Series use 30620-Series components.

Model 30630-0012 use 30620-Series 12V components except use 18753-0489 12V motor.

CENTRI-MAX 30450-SERIES



KEY	DESCRIPTION	QTY	PART NUMBER
1	Body (Front)	1	30453-1000
2	Body (Rear)	1	30454-1000
3	Diffuser	1	30452-1000
4	Impeller	1	30451-1000
5	Seal/O-Ring	1	18753-0465
6	Float Switch w/Cover Mag Disc & O-Ring	1	30467-1000
7	Circuit Board	1	30443-1001
8	Reset Switch	1	18753-0466
9	Relay - 12 Vdc 24 Vdc	1	18753-0467
		1	18753-0535
10	Pressure Switch	1	18753-0468
11	Motor - 12 Vdc 24 Vdc	1	30446-1012
		1	30446-1024
12	Cover	1	30468-1000
13	Pressure Gauge	1	30472-1000
	Not Shown:		
	Check Valve	1	30473-1000
	Strainer	1	36300-1000
	Optional Alarm w/Cable	1	30440-1000