

Handy pumps for many simple uses

Hand Operated Piston Pumps
Hand Operated Diaphragm Pumps
Foot Operated Diaphragm Pumps

**Our manual pumps
never need coaxing or
priming and give flow
from the first stroke.**

Pumps Offer:

- **Easy to use**
- **Inexpensive to buy**
- **Wide choice of types**
- **Never needs servicing**



Manual Operated Pumps

Piston Pumps

Now with this rugged and reliable pump, you can deliver fluid when you need it and where you need it.

Made with long-life brass cylinders, high quality oil resistant plungers and impact absorbing end caps.

It's a perfect heavy duty hand pump for Farmers, Contractors, Utilities, Boaters, Sportsmen and Emergency uses. Made In USA

Available in Five Sizes



Pump more liquid with less effort!

They never need coaxing or or priming and give full suction on the first stroke.

Can be used in any position

Technical Data

Model Number	Weight in Pounds	Connection size	Overall Length	Cylinder Diameter	Strokes per Gallon*
34060-0010	1.0	1/2" **	10-1/4"	1-1/4"	40
33799-0000	2.0	1/2" **	12"	1-1/4"	26
33760-0000	2.5	1/2" **	17"	1-1/4"	15
33745-0000	4.0	1"	22-1/2"	1-3/4"	7
33965-0000	6.0	1-1/4"	24"	2-1/2"	3

* Normal manual pumping capability is 30 strokes per minute. **Units are supplied with varying lengths of hose.

Diaphragm Pumps

In the Amazon line of hand diaphragm pumps, there's a pump model to satisfy the needs of nearly any fluid transfer requirement.

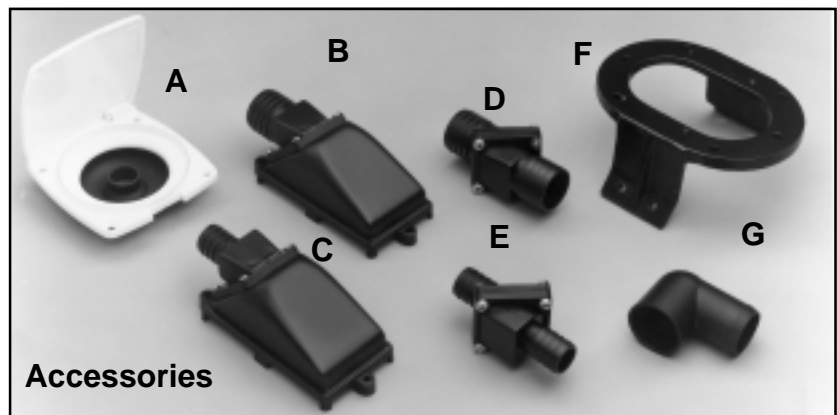
They are designed for a variety of general transfer applications. Pump capacities range from 10 GPM to 30 GPM with various pump mounting options. Most models include a port repositioning feature that gives convenient flexibility in connecting to nearly any plumbing layout.



A variety of accessories to complement the Amazon pump line

Adding to the line of pumps is an assortment of accessories that will complement most pump installations. The ThruDeck kit will give a finished look to installations where the pump mounts under a platform or deck, or on the opposite side of a wall or bulkhead. It has a hinged lid with integral cam for holding it in the full open position.

Also available are strainers to protect the pump from damaging debris, and in-line check valves that can be installed to prevent fluid back-flow.



Accessories

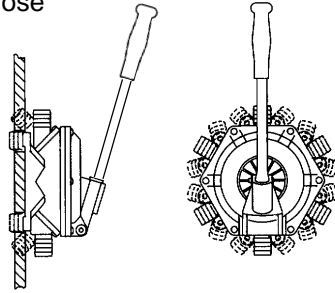
- (A) 29279-0000 – Through deck kit (for Universal and Warrior only).
- (B) 29290-0010 – Strainer for 1-1/2 inch (38 mm) ID hose.
- (C) 29290-0000 – Strainer for 1 inch (25 mm) ID hose.
- (D) 29295-0010 – In-line non-return valve for 1-1/2 inch (38 mm) ID hose.
- (E) 29295-0000 – In-line non-return valve for 1 inch (25 mm) ID hose.
- (F) 29289-0000 – Under deck bracket (required for Warrior when used with through deck kit).
- (G) 29266-1000 – Additional push-fit elbow (for Universal only).

Diaphragm Pumps

AMAZON BULKHEAD

- Repositionable ports and body offer 96 assembly variations
- Sustainable outputs up to 10 GPM (6.1 Strokes/gal)
- Connections for 1 inch ID hose
- Detachable handle
- Ship. Wt. 1-1/2 lb (0,7 kg)

Model 29240-0000



On wall
Typical mounting

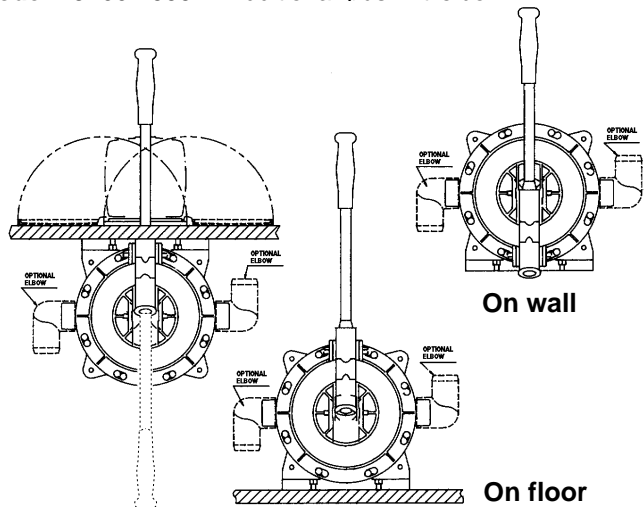
AMAZON UNIVERSAL

- Push-fit port (one included – optional additional elbow available) swivel through 360° to increase flexibility of installation
- Unique safety feature allows operation from both sides (with optional through wall kit)
- Quick release clamp ring gives fast access for blockage clearance
- Flow rate of up to 22 GPM (2.8 Strokes/gal)
- Excellent solids handling ability
- Connections for 1-1/2 inch ID hose

Model 29270-0000 – Universal pump, with detachable handle and one push-fit elbow included
Ship. Wt. 3 lb (1,4 kg)

Model 29279-0000 – Optional through deck kit

Model 29266-1000 – Additional push-fit elbow



Through floor

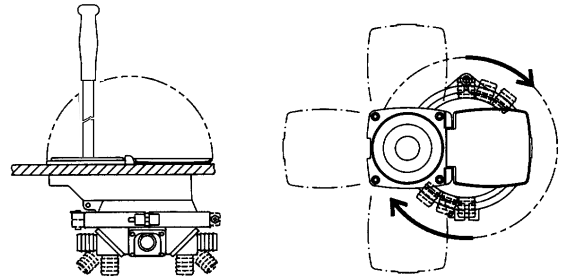
On floor
Typical mounting

AMAZON THRUDECK

Model 29250-0000 – 1" Ports

Model 29250-0010 – 1-1/2" Ports

- The ultimate compact pump with 16 port variations relative to the body
- Loosening just one screw lets you clear blockages or re-position the body anywhere through 360°
- Includes through floor kit and cover, with 4 mounting positions relative to the pump
- Two models available for 1" and 1-1/2" hose connections
- Readily achievable 11 GPM (7.2 Strokes/gal)(1") or 16 GPM (5.1 Strokes/gal)(1-1/2")
- Pump, with detachable handle and through floor kit,
- Ship. Wt. 2-1/2 lb (1,2 kg)



Typical mounting

360° rotation

AMAZON WARRIOR

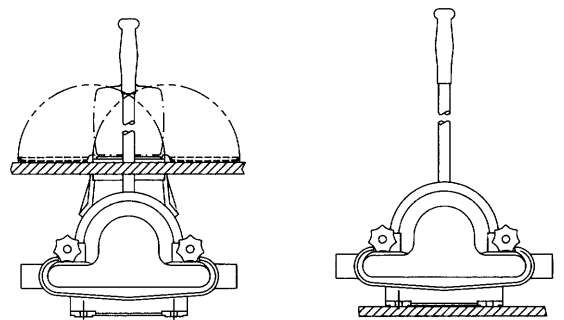
- Robust, alloy body particularly suited to industrial and safety applications
- Double diaphragm design gives maximum efficiency, and added safety because each side of the pump operates independently
- Solid 18" handle allows sustained high outputs of up to 30 GPM (2.7 Strokes/gal)

Connections for 1-1/2 inch ID hose

29280-0000 – Warrior pump, with detachable handle, Ship. Wt. 11 lb (5 kg)

29279-0000 – Optional through floor kit

29289-0000 – Under deck bracket (required for use with through floor kit)



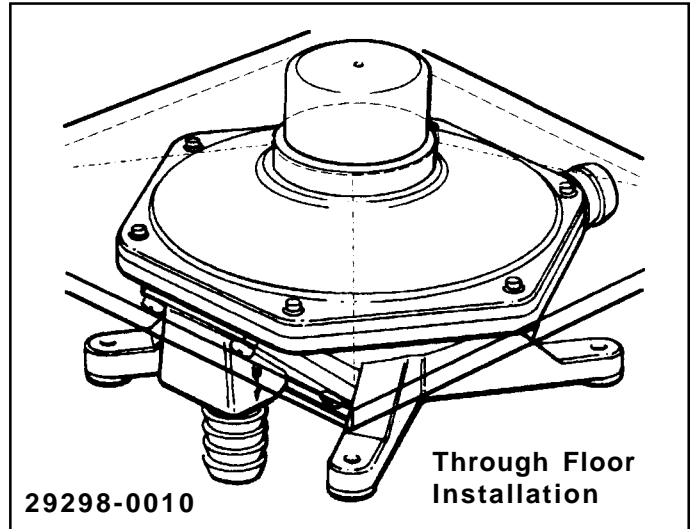
Typical mounting

Diaphragm Pumps

FEATURES

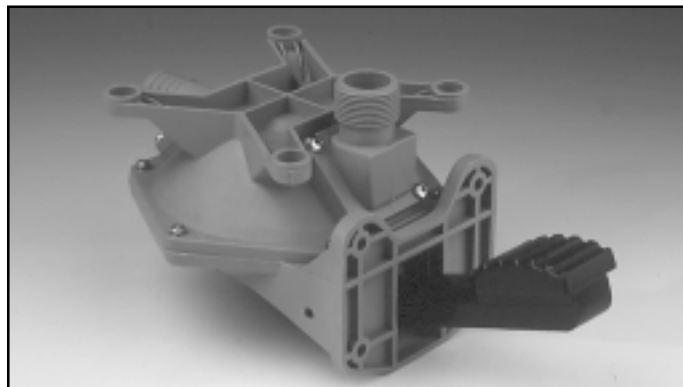
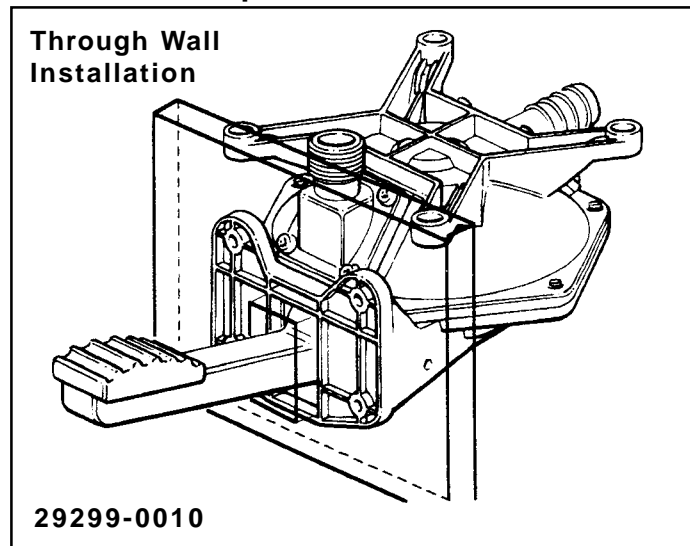
- Originally designed for the Portable Toilet market
- More hygienic than hand operated pumps
- Lightweight and compact design
- Choice of either the foot button or the foot pedal operation
- Spring assisted pumping action minimizes effort required for flushing
- Both the inlet and outlet ports can be rotated to suit various installations
- EPDM diaphragm and valves have the ability to resist attack from many chemicals
- Corrosion resistant materials throughout
- Powerful 0.25 liter discharge per stroke for efficient and effective flushing
- Rugged construction gives long maintenance free pump life
- Ports are designed to accept 25 mm (1") ID Hose
- For OEMs, pumps can be supplied with customers choice of port position and flow direction.

Foot Button Operated



29298-0010

Foot Pedal Operated



29299-0010