

From the inventors of the self-priming flexible impeller pump

Industrial Flexible Impeller Pumps
Hygienic Flexible Impeller Pumps
Flexible Impeller Pump Accessories

These pumps offer unique capabilities which are either not available or costly to acquire with other pumps.

Capabilities Include:

- **Immediate self priming**
- **Handling a wide viscosity range**
- **Operating equally well at low and high speeds**
- **Capable of transferring abrasive laden or air entrained liquids**
- **Able to transfer fluids with solids**
- **Compact size**
- **Pumps in either direction and can be mounted in any orientation**
- **Can drain even the last few ounces of liquid from a container**



Industrial Flexible Impeller Pumps

Bronze Pedestal Pumps

APPLICATIONS

Widely used for machine tool coolants or cutting oils with nitrile impeller installed. Other applications include priming centrifugals or other non-self priming pumps, pumping out sumps, handling tanning acids, bottle washing, cooling water circulation, tank cleaning, wash downs, and general transfer.

TECHNICAL DATA

PUMP MODEL NO.	4530-0001
FLOW (1750 RPM, 10 Ft. Head)	3.9 GPM
PORT SIZE	1/4" NPT
IMPELLER	Neoprene
SHAFT SEAL	Packing
SHAFT MATERIAL/Diameter	Stainless Steel/ 3/8"
SIZE (Height x Width x Length)	3 1/8" x 2 3/16" x 4 7/8"
WEIGHT (Approx.)	1 1/2 lbs.

Variation Available
Model 4530-0003
Nitrile Impeller

Head vs. Flow and Brake Horsepower Table

Total Head		500 RPM		1160 RPM		1750 RPM	
PSI	FT.	GPM	HP	GPM	HP	GPM	HP
4.3	10	1.2	1/12	2.6	1/6	3.9	1/6
8.7	20	1.1	1/12	2.4	1/6	3.6	1/6
13.0	30	0.8	1/12	2.1	1/6	3.1	1/6
17.3	40	-	-	1.7	1/6	2.6	1/6
21.6	50	-	-	-	-	-	-

PUMP MODEL NO.	4560-0001	4590-0001
FLOW (1750 RPM, 10 Ft. Head)	11 GPM	25 GPM
PORT SIZE	1/2" NPT	3/4" NPT
IMPELLER	Neoprene	Neoprene
SHAFT SEAL	Packing	Packing
SHAFT MATERIAL/Diameter	Stainless Steel/ 5/8"	Stainless Steel/ 5/8"
SIZE (Height x Width x Length)	4" x 3 3/4" x 7 1/8"	4 3/16" x 3 15/16" x 7 7/8"
WEIGHT (Approx.)	3 3/4 lbs.	5 lbs.

Variation Available
Model 4560-0003
Nitrile Impeller

Variation Available
Model 4590-0003
Nitrile Impeller

Head vs. Flow and Brake Horsepower Table

Total Head		500 RPM		1160 RPM		1750 RPM		Total Head		500 RPM		1160 RPM		1750 RPM	
PSI	FT.	GPM	HP	GPM	HP	GPM	HP	PSI	FT.	GPM	HP	GPM	HP	GPM	HP
4.3	10	3.0	1/6	7.6	1/4	11.0	1/2	4.3	10	7.0	1/4	16.5	1/3	25.0	3/4
8.7	20	2.8	1/6	6.4	1/4	10.0	1/2	8.7	20	6.5	1/4	16.0	1/3	24.5	3/4
13.0	30	-	-	4.8	1/3	8.5	1/2	13.0	30	6.0	1/4	15.0	1/3	23.0	3/4
17.3	40	-	-	3.3	1/3	6.7	1/2	17.3	40	-	-	13.0	1/2	21.0	3/4
21.6	50	-	-	-	-	5.0	1/2	21.6	50	-	-	11.5	1/2	19.0	3/4

FEATURES

A plain bearing construction, low cost easily-serviced, multi-purpose pump. Stainless steel shaft rotates in integral bronze body bearing. These pumps have a packing type seal of high grade, pre-formed asbestos-free packing.



4530-series



4560-series



4590-series

Tables show approximate flow in U.S. Gallons Per Minute for a new pump with a Neoprene Impeller. For Nitrile Impeller, reduce flow by 10%. Consult individual data sheets for use at a higher RPM. Use only capacitor-start motors with flexible impeller pumps.

For Metric conversion of flows and dimensions refer to Engineering Data.



Industrial Flexible Impeller Pumps

Bronze Pedestal Pumps

APPLICATIONS

These pumps handle a wide range of liquids for transfer, circulation, and processing. Bottling systems, cleaning solution, cooling requirements, sewage treatment, agricultural chemicals and textile solutions.

TECHNICAL DATA

PUMP MODEL NO.	2760-0001	2620-1001
FLOW (1750 RPM, 10 Ft. Head)	3.9 GPM	5.8 GPM
PORT SIZE	1/4" NPT	3/8" NPT
IMPELLER	Neoprene	Neoprene
SHAFT SEAL	Lip Type	Lip Type
SHAFT MATERIAL/Diameter	Stainless Steel ^{3/8} "	Bronze ^{1/2} "
SIZE (Height x Width x Length)	2 ^{7/16} " x 2 ^{5/8} " x 3 ^{9/16} "	3 ^{3/16} " x 3 ^{1/8} " x 3 ^{15/16} "
WEIGHT (Approx.)	1 ^{1/2} lbs.	2 ^{3/4} lbs.

Variation Available
Model 2760-0003 - Nitrile Impeller

Variation Available
Model 2620-1003 - Nitrile Impeller
Available Separately
Viton Impeller, No. 3398-0004

Head vs. Flow and Brake Horsepower Table

2760-0001								2620-1001							
Total Head		500 RPM		1160 RPM		1750 RPM		Total Head		500 RPM		1160 RPM		1750 RPM	
PSI	FT.	GPM	HP	GPM	HP	GPM	HP	PSI	FT.	GPM	HP	GPM	HP	GPM	HP
4.3	10	1.2	1/12	2.6	1/6	3.9	1/6	4.3	10	1.6	1/12	3.5	1/6	5.8	1/4
8.7	20	1.1	1/12	2.4	1/6	3.6	1/6	8.7	20	1.0	1/12	2.6	1/6	5.0	1/4
13.0	30	0.8	1/12	2.1	1/6	3.1	1/6	13.0	30	-	-	-	-	3.8	1/4
17.3	40	-	-	1.7	1/6	2.6	1/6	17.3	40	-	-	-	-	-	-
21.6	50	-	-	-	-	-	-	21.6	50	-	-	-	-	-	-

PUMP MODEL NO.	1673-1001	777-9001
FLOW (1750 RPM, 10 Ft. Head)	11 GPM	23 GPM
PORT SIZE	1/2" NPT	1" NPT
IMPELLER	Neoprene	Neoprene
SHAFT SEAL	Lip Type	Carbon/Ceramic Face Type
SHAFT MATERIAL/Diameter	Stainless Steel ^{5/8} "	Stainless Steel ^{5/8} "
SIZE (Height x Width x Length)	3 ^{13/16} " x 4 ^{1/8} " x 4 ^{1/2} "	3 ^{9/16} " x 4 ^{3/4} " x 6 ^{5/16} "
WEIGHT (Approx.)	4 ^{1/4} lbs.	5 ^{3/4} lbs.

Variations Available
Model 1673-1003 - Lip Type Seal, Nitrile Impeller
Model 1673-2001 - Face Type Seal, Neoprene Impeller
Model 1673-2003 - Face Type Seal, Nitrile Impeller

Variation Available
Model 777-0001 - Lip Type Seal, Neoprene Impeller
Model 777-0003 - Lip Type Seal, Nitrile Impeller
Model 777-9003 - Face Type Seal, Nitrile Impeller
Model 777-9051 - Half Thickness Cam, Face Type Seal, Neoprene Impeller
Available Separately
Hi-Pressure Impeller No. 5915-0001, (recommended for viscous liquids - 1200 RPM or less, use two end cover gaskets. Natural Impeller, 920-0008.)

Head vs. Flow and Brake Horsepower Table

1673-1001								777-0001, 777-9001							
Total Head		500 RPM		1160 RPM		1750 RPM		Total Head		500 RPM		1160 RPM		1750 RPM	
PSI	FT.	GPM	HP	GPM	HP	GPM	HP	PSI	FT.	GPM	HP	GPM	HP	GPM	HP
4.3	10	3.0	1/6	7.6	1/4	11.0	1/4	4.3	10	6.0	1/4	14.7	1/3	23.0	3/4
8.7	20	1.8	1/6	6.4	1/4	10.0	1/4	8.7	20	5.6	1/4	13.8	1/2	22.0	3/4
13.0	30	-	-	4.8	1/4	8.5	1/3	13.0	30	5.1	1/4	12.5	1/2	20.5	3/4
17.3	40	-	-	3.3	1/4	6.7	1/3	17.3	40	4.6	1/4	11.5	1/2	19.3	3/4
21.6	50	-	-	-	-	5.0	1/2	26.0	60	-	-	7.8	3/4	15.5	1

777-9051 (Half-Cam)

Total Head		500 RPM		1160 RPM		1750 RPM	
PSI	FT.	GPM	HP	GPM	HP	GPM	HP
4.3	10	4.0	1/4	8.7	1/4	13.6	1/2
8.7	20	3.4	1/4	8.0	1/3	12.8	1/2
17.3	40	2.0	1/4	5.8	1/3	10.4	3/4
26.0	60	-	-	-	-	7.0	3/4

Tables show approximate flow in U.S. Gallons Per Minute for a new pump with a Neoprene Impeller. For Nitrile Impeller, reduce flow by 10%. Consult individual data sheets for use at a higher RPM. Use only capacitor-start motors with flexible impeller pumps.

For Metric conversion of flows and dimensions refer to Engineering Data.

FEATURES

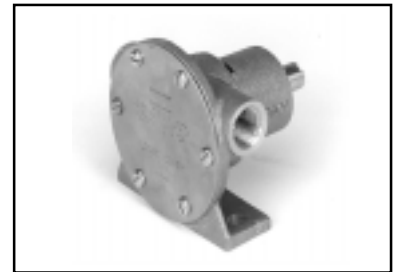
Ball bearing construction. A broad line of heavy duty, self-priming long life bronze pumps. Bronze or stainless steel shaft rotates in high quality, pre-lubricated, and sealed bearings for belt drives, and high speeds. Available with lip-type shaft seal or carbon-ceramic rotary face seals, and with the option of neoprene, nitrile, viton, natural rubber impellers on some models. Quick easy in-line service.



2760-series



2620-series



1673-series



777-series

Bronze Pedestal Pumps

TECHNICAL DATA

PUMP MODEL NO.	6400-0004
FLOW (1750 RPM, 10 Ft. Head)	62 GPM
PORT SIZE	1 1/4" NPT
IMPELLER	Neoprene
SHAFT SEAL	Carbon/Ceramic Face Type
SHAFT MATERIAL/Diameter	Bronze/1"
SIZE (Height x Width x Length)	4 7/8" x 5 7/8" x 8 1/16"
WEIGHT (Approx.)	10 1/2 lbs.

Variation Available
 Model 6400-0051 - Half Thickness Cam,
 Neoprene Impeller
Available Separately
 Nitrile Impeller No. 836-0003, Natural Rubber Impeller No. 836-0008



6400-series

Head vs. Flow and Brake Horsepower Table

6400-0004								6400-0051							
Total Head		500 RPM		1160 RPM		1750 RPM		Total Head		500 RPM		1160 RPM		1750 RPM	
PSI	FT.	GPM	HP	GPM	HP	GPM	HP	PSI	FT.	GPM	HP	GPM	HP	GPM	HP
4.3	10	18	1/2	41	1	62	1 1/2	4.3	10	11	1/2	26	3/4	37	1 1/2
8.7	20	17	1/2	40	1	60	1 1/2	8.7	20	9.5	1/2	24	1	35	1 1/2
17.3	40	14	1/2	37	1 1/2	55	2	17.3	40	5.5	1/2	19	1	29	1 1/2
26.0	60	-	-	32	1 1/2	50	2	26.0	60	-	-	12	1 1/2	21	1 1/2
30.3	70	-	-	-	-	45	2								



18370-series

PUMP MODEL NO.	18370-0000
FLOW (1750 RPM, 10 Ft. Head)	83 GPM
PORT SIZE	2" NPT
IMPELLER	Neoprene
SHAFT SEAL	Carbon/Ceramic Face Type
SHAFT MATERIAL/Diameter	Bronze/1"
SIZE (Height x Width x Length)	5 1/8" x 8" x 10 7/8"
WEIGHT (Approx.)	19 lbs.

Head vs. Flow and Brake Horsepower Table

18370-0000							
Total Head		500 RPM		1160 RPM		1750 RPM	
PSI	FT.	GPM	HP	GPM	HP	GPM	HP
4.3	10	23	1/2	54	1	83	2
8.7	20	22	1/2	50	1	79	2
17.3	40	17	1/2	43	1 1/2	71	3
26.0	60	-	-	34	1 1/2	61	3
30.3	70	-	-	-	-	55	3

Tables show approximate flow in U.S. Gallons Per Minute for a new pump with a Neoprene Impeller. For Nitrile Impeller, reduce flow by 10%. Consult individual data sheets for use at a higher RPM. Use only capacitor-start motors with flexible impeller pumps.

For Metric conversion of flows and dimensions refer to Engineering Data.



Industrial Flexible Impeller Pumps

Bronze Clutch-Driven Pumps

APPLICATIONS

A multi-purpose pump widely used in agricultural and general utility pumping. Mounted on tractors or under the hood on service and work vehicles for pumping water for livestock, pumping from shallow wells, draining excavations and meter boxes, remote irrigation and handling many fertilizers and insecticides. Also used in processing plants for standby transfers and circulation or as feed pumps for oil/water separators with nitrile impeller.

TECHNICAL DATA

PUMP MODEL NO.	11860-0005
FLOW (1750 RPM, 10Ft. Head)	23 GPM
PORT SIZE	1" NPT
IMPELLER	Nitrile
SHAFT SEAL	Carbon/Ceramic Face Type
SHAFT MATERIAL	Bronze
PULLEY DIAMETER/BELT SIZE	7 ¹ / ₂ groove, A Section
CLUTCH VOLTAGE	12 Vdc
SIZE (Height x Width x Length)	5 ³ / ₈ " x 4 ³ / ₄ " x 6 ³ / ₁₆ "
WEIGHT (Approx.)	15 lbs.

Variation Available
Model 11860-0045 Single groove
B section pulley

Head vs. Flow and Brake Horsepower Table

11860-0005							
Total Head		500 RPM		1160 RPM		1750 RPM	
PSI	FT.	GPM	HP	GPM	HP	GPM	HP
4.3	10	6.0	1/4	14.8	1/3	23.3	3/4
8.7	20	5.5	1/4	14.1	1/2	22.3	3/4
13.0	30	4.8	1/4	13.0	1/2	20.9	3/4
17.3	40	4.0	1/4	12.0	1/2	19.5	3/4
26.0	60	-	-	8.8	3/4	15.0	1

PUMP MODEL NO.	11870-0005	18330-0000
FLOW (1750 RPM, 10Ft. Head)	62 GPM	83 GPM
PORT SIZE	1 ¹ / ₄ " NPT	2" NPT
IMPELLER	Nitrile	Nitrile
SHAFT SEAL	Carbon/Ceramic Face Type	Carbon/Ceramic Face Type
SHAFT MATERIAL	Bronze	Bronze
PULLEY DIAMETER/BELT SIZE	7 ¹ / ₂ groove, A Section	7 ¹ / ₂ groove, A Section
CLUTCH VOLTAGE	12 Vdc	12 Vdc
SIZE (Height x Width x Length)	6 ¹ / ₁₆ " x 5 ⁷ / ₈ " x 8 ³ / ₁₆ "	5 ¹ / ₈ " x 8" x 11 ¹ / ₈ "
WEIGHT (Approx.)	20 lbs.	29 lbs.

Variation Available
Model 11870-0045 Single groove
B section pulley

Variation Available
Model 18330-0040 Single groove
B section pulley

Head vs. Flow and Brake Horsepower Table

11870-0005							
Total Head		500 RPM		1160 RPM		1750 RPM	
PSI	FT.	GPM	HP	GPM	HP	GPM	HP
4.3	10	18	1/2	41	1	62	1 ¹ / ₂
8.7	20	17	1/2	40	1	60	1 ¹ / ₂
17.3	40	14	1/2	37	1 ¹ / ₂	55	2
26.0	60	-	-	30	1 ¹ / ₂	50	2
30.3	70	-	-	-	-	45	2

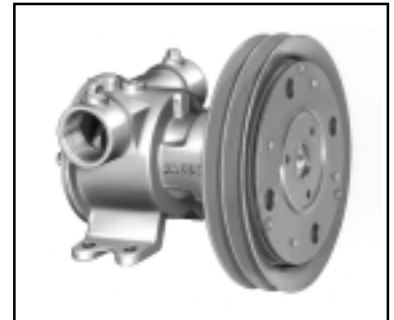
18330-0000							
Total Head		500 RPM		1160 RPM		1750 RPM	
PSI	FT.	GPM	HP	GPM	HP	GPM	HP
4.3	10	23	1/2	54	1	83	2
8.7	20	22	1/2	50	1	79	2
17.3	40	17	1/2	43	1 ¹ / ₂	71	3
26.0	60	-	-	34	1 ¹ / ₂	61	3
30.3	70	-	-	-	-	55	3

FEATURES

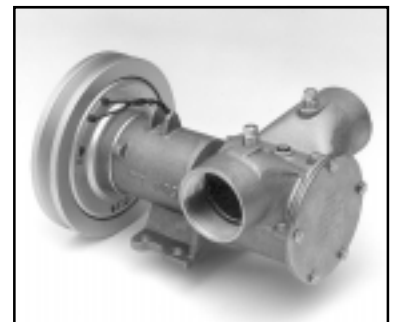
A combination of electric clutch and high quality bronze ball bearing pump. Sturdy two groove "A" belt section or single groove "B" belt section clutch allows remote activation of pump.



11860-0005



11870-0005



18330-0000

Tables show approximate flow in U.S. Gallons Per Minute for a new pump with a Nitrile Impeller. Consult individual data sheets for use at higher RPM.

For Metric conversion of flows and dimensions refer to Engineering Data.