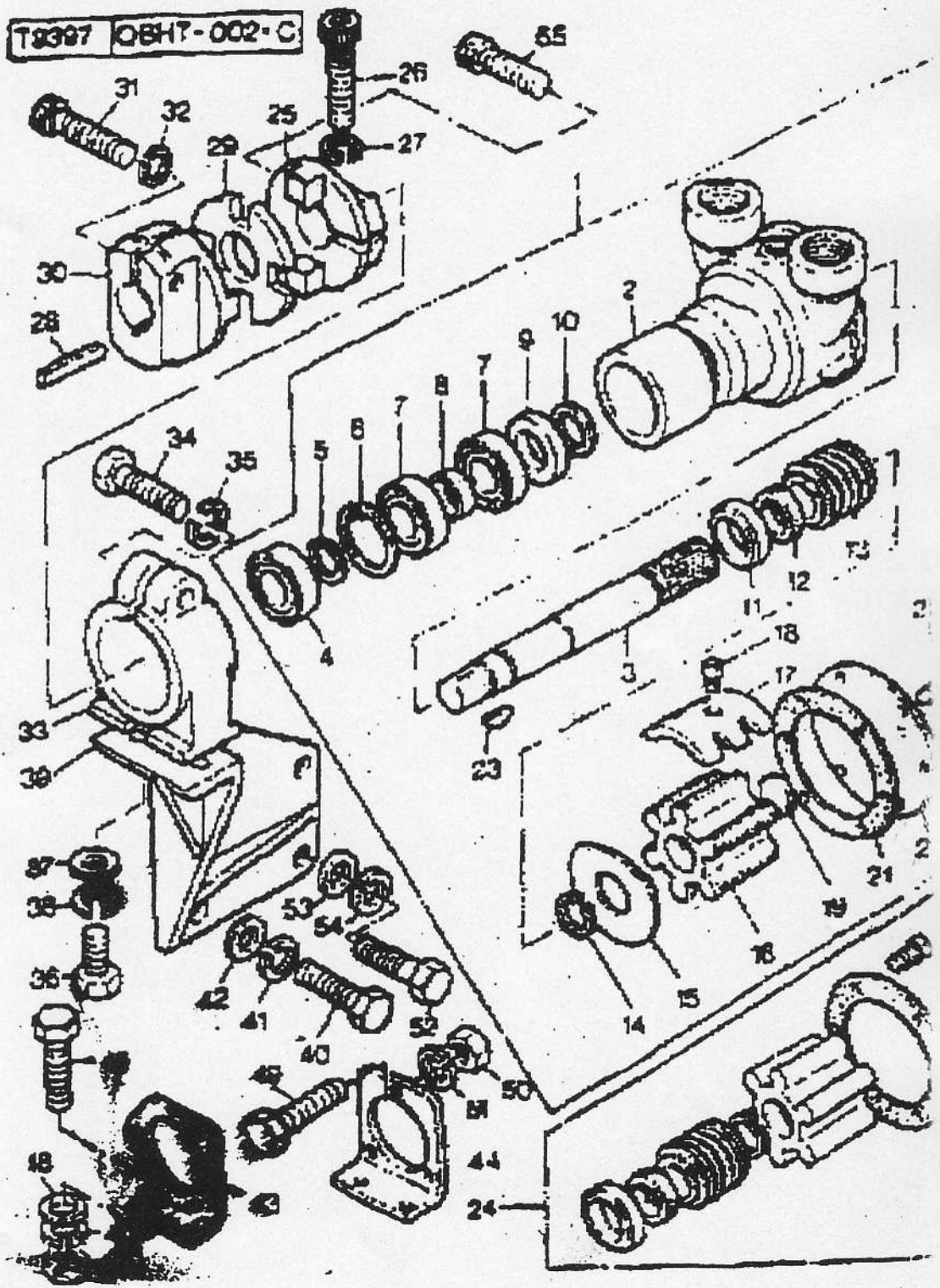


PERKINS ENG#
T/H/HT 6.354 m
M290/240/275
JABSCO #9990-41



6354

SH RPPBC
OB 403 M