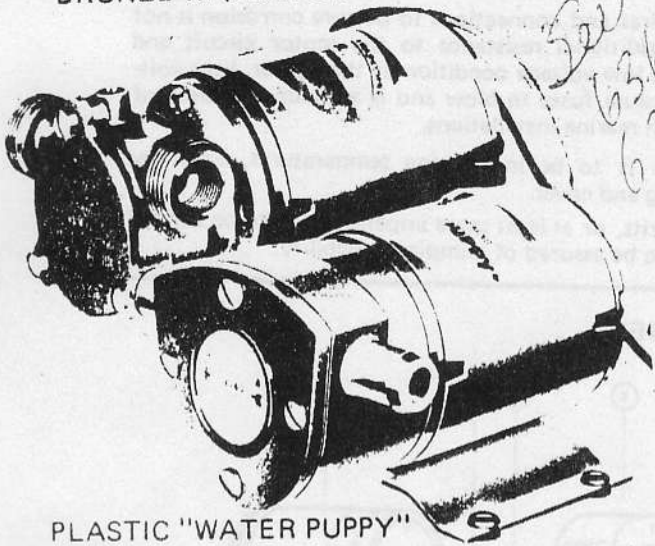


JABSCO® PUMPS

Self-Priming Pumps

MODELS: "Water Puppy" Series
6360-0001, 6370-0001, 6380-0001,
12560-0001, 12570-0001

" BRONZE WATER PUPPY"



PLASTIC "WATER PUPPY"

APPLICATION — Use for bilge pumping, live well circulation, wash down and general pumping requirements. If bilge water contains significant amount of oil, the standard impeller should be replaced with impeller #6303-0003 which is an oil-resistant nitrile material. With a wet impeller, pump will produce a suction lift of about 4 feet (1.2m) and a lift to 20 feet (6m) when primed. If the pump is dry, it will prime about 1.5 feet (.47m). **BE SURE SUCTION LINES ARE AIR TIGHT.**

INSTALLATION — The pump must be mounted in a dry location — the motor is not waterproof and must not be submerged. **SELECTION OF A COOL** location will generally extend pump motor life. The unit can be mounted in any desired position. It is best to mount so that water dripping from loose port connection will not wet the motor. The pump head may be mounted at 90 degree increments on the motor to allow mounting as needed.

ELECTRICAL CONNECTIONS — Connect black wire to negative (-) terminal of battery. The orange wire with the fuse holder should run to a switch, with a wire from switch to positive (+) terminal of battery. Failure to connect black wire to negative and orange wire to positive will result in backwards motor rotation and possible motor and pump damage. Correct motor rotation is clockwise looking at shaft end of motor. Use proper wire size as determined by wire table elsewhere on this sheet. The proper fuse has been included in the fuseholder. Should this fuse blow, replace with the same size fuse after determining reason for blown fuse.

When units have been idle or stored for long periods of time, the impeller may stick to the pump body causing fuse to blow. Remove end cover and manually free impeller. Replace end cover and fuse.

WARNING

PROPERLY FUSED MOTORS WILL NOT BURN OUT. NO WARRANTY CONSIDERATION WILL BE GIVEN TO PUMPS THAT ARE RETURNED WITHOUT THE PROPERLY SIZED FUSE AND FUSE HOLDER SUPPLIED WITH THE PUMP.

Product Data

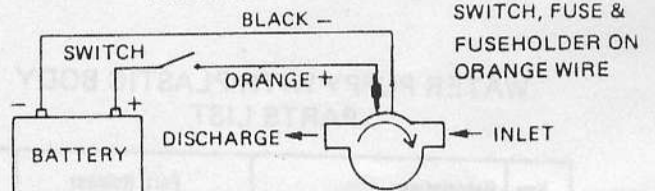
DESIGN FEATURES

- Body: Bronze or Plastic
- Impeller: Jabsco Neoprene compound
- Seal: Lip type
- Ports: Bronze Body — 3/8" Internal Pipe Threads
3/4" External Garden Hose
Plastic Body — Slip-on barbs for 5/8" I.D. Hose
- Motor: Permanent magnet type, fully enclosed, stainless steel shaft. Fuse and fuseholder included.
- Dimensions: 3" (76mm) High, 6 3/8" (162mm) Long, 4" (102mm) Wide
- Weight: 4 1/2 lbs. (2 kg) (approx.)
Meets USCG Electrical Standards (Title 33, Chapter 1, Part 183, Subpart I) and is listed as BIA type accepted.

MODELS: "Water Puppy" Series
6360-0001, 6370-0001, 6380-0001,
12560-0001, 12570-0001

Bronze Body	Voltage	Plastic Body
6360-0001	12V	12560-0001
6370-0001	24V	12570-0001
6380-0001	32V	Not Available

WIRING DIAGRAM



MINIMUM WIRE SIZES

Connection Length Between Battery and Motor	12 V.	24 V.	32 V.
.1-10 ft. (3m)	#12	#16	#16
11-20 ft. (6m)	#10	#16	#16
21-30 ft. (9m)	#8	#12	#16

AMPERE DRAW

Model	12 V.	24 V.	32 V.
Amp. Draw (Approx.)	7	4	3
Fuse Size	10	5	5

ITT JABSCO

Form 43000-0317 Rev. 10/80

PLUMBING CONNECTIONS — Pumps with bronze body have external garden hose threads and internal 3/8" pipe threads. Plastic bodied pumps have slip-on fittings for 5/8" I.D. hose. Use hose that does not kink when bent and with sufficient wall thickness to prevent collapse when used on suction side of pump. Hoses should be routed so that some water will be retained in pump body to wet the impeller. Wetting the impeller aids in priming and extends impeller life. Use a strainer on the intake hose to stop trash and solids from going through the pump. All hoses must have air tight connections to enable faster priming.

OPERATION — Flexible impeller pumps must *NOT* be run dry, as the pumped liquid is the lubricant for the impeller. Observe the outlet and shut off pump as soon as liquid stops flowing. An automatic level switch is convenient to control the pump. If pump has been idle for long periods, pouring water into the pump through the outlet hose will wet the impeller and increase impeller life.

Do not pump solvents, thinners or gasoline as impeller and motor damage may result. Motor is NOT explosion proof.

Temperature of pumped liquid may be in the range of 45°–160°F. (10°–70°C.).

Pressure for normal operation should not exceed 20 feet of head.

Motor runs hot, about 180° is a normal temperature.

MAINTENANCE

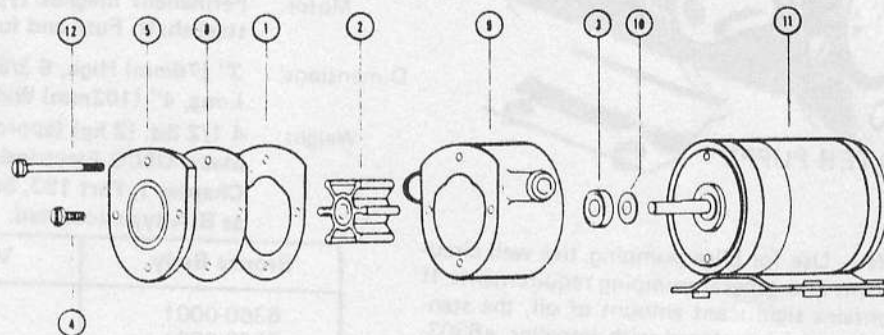
Check wires and connections to be sure corrosion is not adding additional resistance to the motor circuit and causing a low voltage condition at the motor. Low voltage can cause fuses to blow and is a common source of trouble in marine installations.

If pump is to be in freezing temperatures, drain by loosening end cover.

Service kits, or at least spare impellers, should be carried aboard to be assured of pumping capability.

EXPLODED VIEW

WATER PUPPY WITH PLASTIC BODY



WATER PUPPY WITH PLASTIC BODY PARTS LIST

Key	Description	Part Number	Qty. Req.
1	Gasket	12558-0000	1
2	Impeller	6303-0001	1
3	Seal	1040-0000	1
4	Screw (End Cover)	91014-0020	2
5	End Cover	12555-0000	1
8	Wearplate	12557-0000	1
9	Body	12554-0000	1
10	Slinger	6342-0000	1
11	Motor		1
	12 volt	98012-0020	
	24 volt	98012-0030	
12	Screw (Mtr. to Body)	91014-0010	2
	Replacement Pump Head only	12590-0001	—
	Service Kit	90126-0001	

* Parts contained in Service Kit
6303-0003 Oil resistant Nitrile Impeller available separately.

DISASSEMBLY

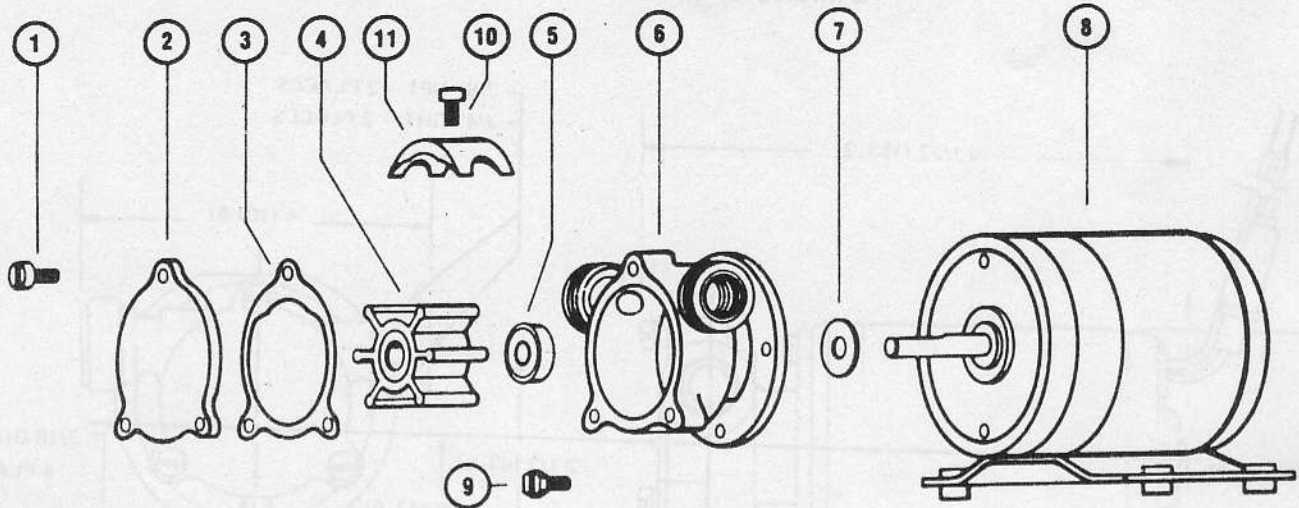
1. Remove top and bottom end cover screws and remove pump head from motor.
2. Remove remaining end cover screws.
3. Remove end cover, wearplate and gasket.
4. Withdraw impeller
5. Pry seal retainer from seal cavity and press seal out of cavity from impeller bore side.

NOTE: Do not tamper with or disassemble motor.

ASSEMBLY

1. Lubricate seal and press into seal cavity, with open side of seal facing impeller. Center seal retainer (concave side up) in seal cavity and press firmly against seal using 11/16 dia. dowel.
2. Install slinger on shaft 1/16 from motor hub. Lubricate motor shaft.
3. Locate body on motor.
4. Align flat in impeller with motor shaft flat and install impeller into impeller bore.
5. Replace gasket, wearplate, and cover, and end cover screws.
6. Secure pump head to motor with long machine screws.

WATER PUPPY WITH BRONZE BODY
EXPLODED VIEW



WATER PUPPY WITH BRONZE BODY
PARTS LIST

KEY	PART NUMBER	DESCRIPTION	QTY. REQ.
1	91004-0090	Screw (End Cover)	3
2	12071-0000	End Cover	1
3	1985-0010	*Gasket	
4	6303-0001	*Impeller	1
5	93000-0100	*Seal	1
6	6944-0000	Body	1
7	6342-0000	Slinger	1
8		Motor	1
	98012-0020	Model 6360-0001 12v.	
	98012-0030	Model 6370-0001 24v.	
	98012-0040	Model 6380-0001 32v.	
9	98019-0020	Screw (Pump to Motor)	2
10	91002-0010	Screw (Cam)	1
11	2907-0000	Cam	1
	90061-0001	Service Kit	
	7440-0001	Replacement Pump Head	

*Parts contained in Service Kit

6303-0003 Oil resistant "Nitrile" impeller available separately.

ASSEMBLY INSTRUCTIONS

DISASSEMBLY

1. Remove end cover screws, end cover and gasket.
2. Withdraw impeller.
3. Loosen and remove two slotted hex screws, which attach body to motor.
4. Tap body lightly between ports and remove body from motor.
5. Deform seal and remove from body cavity.

NOTE: Do not tamper with or disassemble motor.

ASSEMBLY

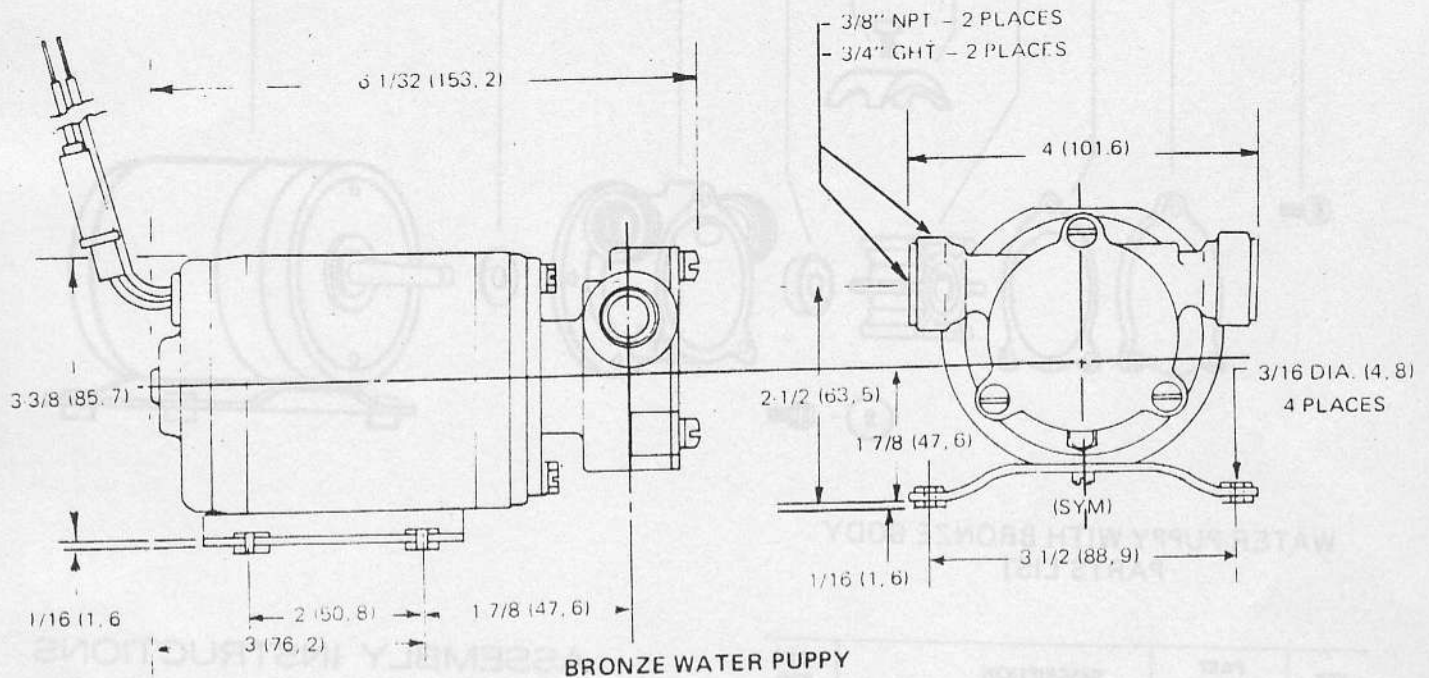
1. Lubricate seal. Deform seal and install in cavity with open side of seal facing impeller.
2. Install slinger on shaft 1/16" from motor hub.
3. Lubricate motor shaft and install body on motor.
4. Lubricate impeller bore and aligning flat in impeller with flat on motor shaft, install impeller.
5. Install gasket, and cover and screws.

HEAD CAPACITY TABLE

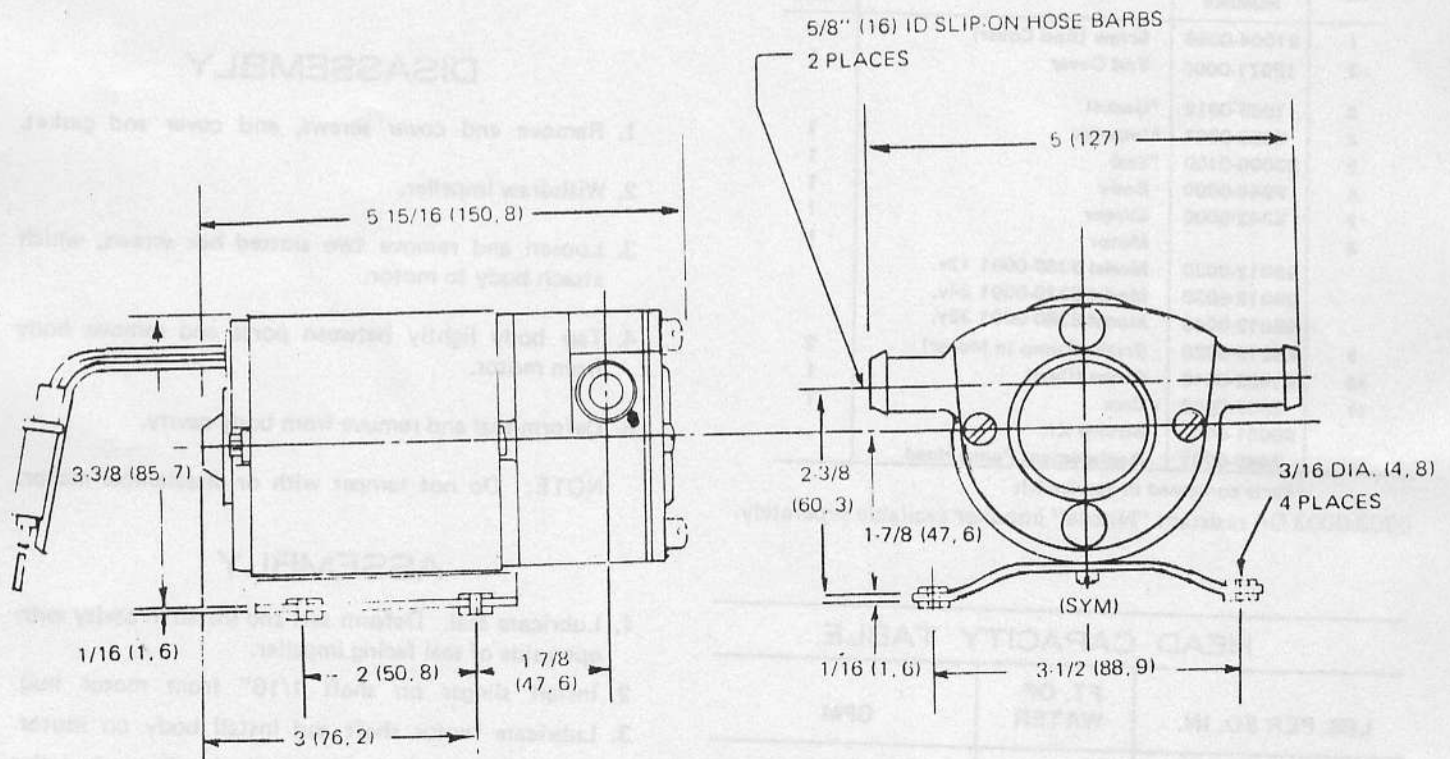
LBS. PER SQ. IN.	FT. OF WATER	GPM
Free Flow	Free Flow	5.0 GPM (18.9 L/min)
2.1 PSI (.14 kg/sq cm)	5' (1.5m)	4.6 GPM (17.4 L/min)
4.3 PSI (.30 kg/sq cm)	10' (3m)	3.7 GPM (14.0 L/min)
8.7 PSI (.61 kg/sq cm)	20' (6m)	1.7 GPM (6.4 L/min)

Table shows approximate Head-Flow for new pump in U.S. gallons per minute.

DIMENSIONAL DRAWING



BRONZE WATER PUPPY



PLASTIC WATER PUPPY

ITT JABSCO

MARC Division

International Telephone and Telegraph Corporation
1485 Dale Way, Costa Mesa, California 92626

Telephone: (714) 545-8251