



Model 62022-3002

5" ELECTRIC REMOTE CONTROL SEARCHLIGHT

FEATURES

- Complete drive unit enclosed in light housing.
- Single control lever for vertical and horizontal movement.
- Variable speed control for precise beam movement.
- On-off and spot/flood beam selection from a single switch.
- Exclusive Clutch-A-Matic features protect drive unit against overload. Can operate for extended periods against limit stops without harm. Light head may be moved manually without damage to the drive unit.
- Internal brake system holds beam firmly on target.
- Includes control panel with on-off, spot/flood switch, variable speed control, and single control for vertical and horizontal movement.

Model Number	Volts	Head	Base	Bulb Type	Candlepower (Combined)
62022-3002	12	Brass	Zinc	5" Spot/Flood	100,000

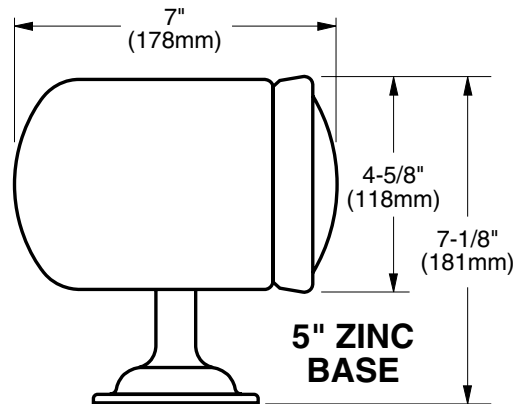
ACCESSORY CABLE LISTING

Part Number	Description
43990-0013	10' Cable Assembly
43990-0014	15' Cable Assembly
43990-0015	25' Cable Assembly
43990-0016	35' Cable Assembly
67294-0000	50' Bulk Cable

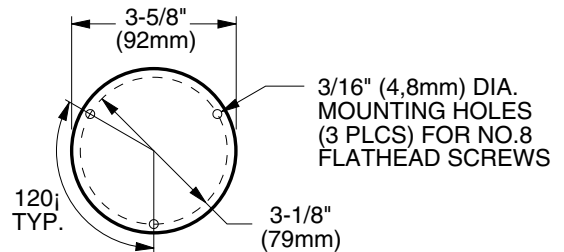


Model 62022-3002

DIMENSIONAL DRAWINGS

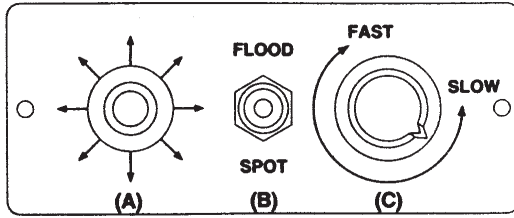


BASE MOUNTING DIMENSIONS



CONTROL UNIT OPERATION

SINGLE PANEL CONTROL



SWITCH FUNCTIONS

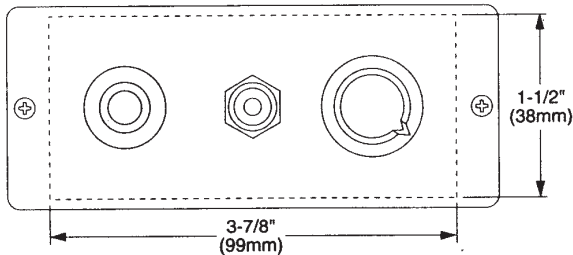
- (A) Directional Switch – Move it up or down, left or right, and the light will move in the same direction.
- (B) Light Switch – Spot/off/flood switch positions.
- (C) Variable Speed Control – Turn the knob for fast or slow movement of the light head.

LIGHT MOUNTING

Mount with front of base toward direction of most intended use (front of circular base is marked with arrow). Drill screw holes (per dimensional drawing below) and a 3/8" (10mm) hole at center of base for wiring cable. Drill additional holes for wiring cable through firewalls, bulkheads, etc. for connection to control panel. With gasket under light base, feed wire through hole and fasten light in place.

CONTROL PANEL MOUNTING

CONTROL PANELS: For flush mount, cut rectangular hole in flat surface where panel is to be mounted (see diagrams). Insert wiring cable through hole and mounted panel with No. 4 round head sheet metal or wood screws as required.



SERVICE

Individual replacement parts are available for the panel controls shown as follows. To remove the 8-way directional switch, locate the small holes (top and bottom) in the bracket attached to the rear of the chrome faceplate, depress springs in these holes and pull switch out. The variable speed control and on-off switches can be removed simply by removing the locknuts. To wire the new part into place, cut wires to the old part, and splice wires (with butt connectors) to the new part, being sure to match wire colors.

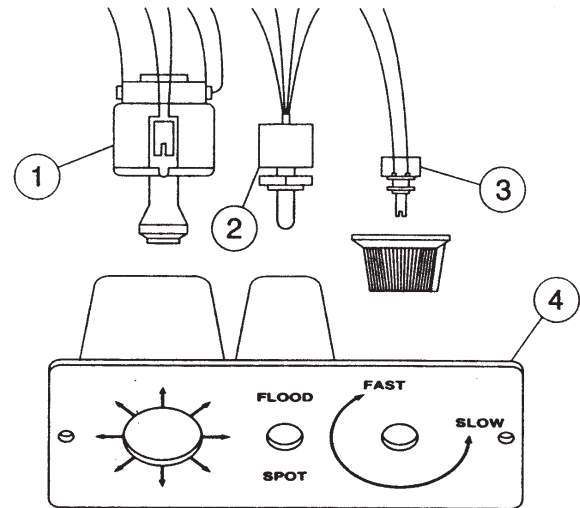
WIRING

Refer to wiring diagrams and extension cable instructions below. Connect wires from control panel to plug end of cable assembly, matching colors and plugs. String cable through bulkheads, walls, etc. to the light. **NOTE: SECURE CABLE WITH NYLON CLIPS OR EQUIVALENT, PROTECT INSTALLATION AT POINTS OF STRESS, AND LEAVE ADEQUATE SLACK WHERE CABLE MUST BE FLEXIBLE.**

Connect cable wires to light wires using butt connectors provided. Be sure to match colors and plugs. Connect red fused lead from control panel to positive side of correct voltage power source. Connect white wire to negative.

When installation and wiring are completed, check light operation. If light is inoperative, or does not operate correctly, refer to troubleshooting instructions.

CONTROL PANEL NO. 66120-0000 PARTS DIAGRAM

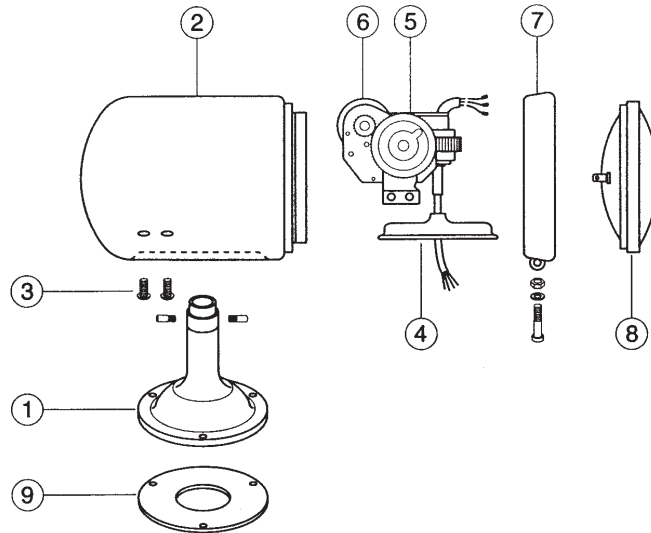


PARTS LIST

Key	Part Number	Description
1	** 43990-0000	Directional Switch
2	** 66150-0000	Spot/Flood Switch
3	** 66153-0000	Speed Control
4	66154-0000	Face Plate

** Indicates 6" presoldered leads and connectors provided.

EXPLODED VIEW

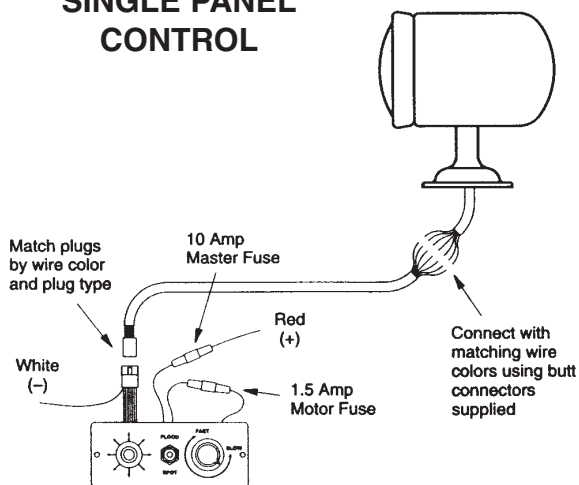


PARTS LIST

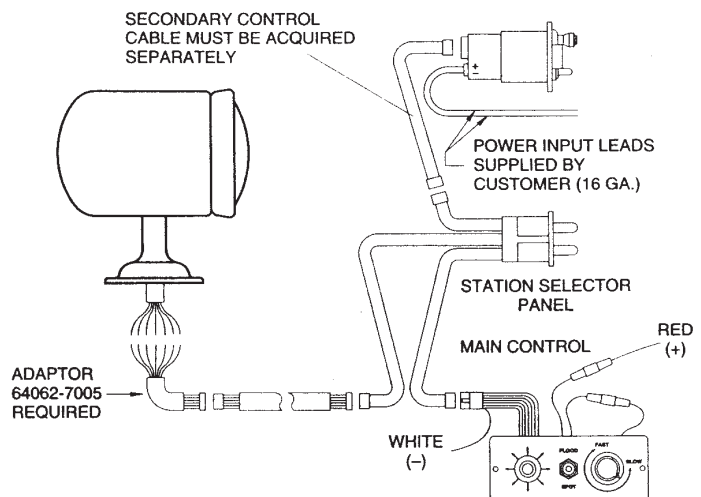
Key	Description	62022-3002-Series Part No.	Qty.
1	Base (includes set screw) Chrome - Zinc	66130-0000	1
2	Housing (rubber boot installed) Chrome - Brass Housing	43990-0032	1
3	Screws for mounting housing (package of 4 screws)	66138-0000	1
4	Rubber Boot (includes straps and fasteners)	43990-0045	1
5	Motor Clutch Assembly (assembled and wired) 12 Vdc	43990-0075	1
6	Motor & Pinion Kit (vertical)	43990-0078	1
	(Horizontal)	43990-0079	
7	Bulb Retaining Ring (chrome w/fasteners)	66149-0000	1
8	Bulb 12 Vdc	67296-0000	1
9	Gasket (base mount)	67175-0000	1

WIRING DIAGRAM

SINGLE PANEL CONTROL



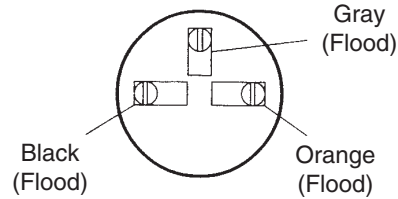
SECONDARY REMOTE CONTROL 43670-0004



DUAL FILAMENT SPOT/FLOOD

BULB REPLACEMENT

Loosen screw and remove bulb retaining ring. Disconnect wires from faulty bulb. Connect wires to new bulb as shown right. Install bulb and fasten with bulb retaining ring.



TROUBLESHOOTING

All lights are thoroughly inspected before shipping and are warranted to operate within specifications. If light does not operate correctly, CHECK FUSES, WIRE HARNESS CONNECTIONS AND COLOR MATCHING OF WIRES BEFORE PROCEEDING WITH THIS TROUBLESHOOTING.

PROBLEM	SOLUTION
1. Dual filament bulb works in reverse (up is spot, down is flood)	Disconnect Orange and Gray wires. Reconnect as follows: (Orange from light) to (Gray from switch) (Gray from light) to (Orange from switch)
2. Control lever works in reverse in all directions (left is right, down is up, etc.)	Reverse Red and White battery connections
3. Control Lever works in reverse in horizontal direction only (left is right and right is left)	Disconnect Yellow and Blue wires. Reconnect as follows: (Yellow from light) to (Blue from switch) (Blue from light) to (Yellow from switch)
4. Control lever works in reverse in vertical direction only (up is down and down is up)	Disconnect Green and Violet wires. Reconnect as follows: (Green from light) to (Violet from switch) (Violet from light) to (Green from switch)
5. Light moves in only three of the four possible directions:	
a. One horizontal direction is inoperative	Reverse connection as in Step 3. If opposite horizontal motion becomes inoperative, replace the switch. If problem persists, return light for service.*
b. One vertical motion is inoperative	Reverse connections as in Step 4. If opposite vertical motion becomes inoperative, replace the switch. If problem persists, return light for service.*

* Return light for service at the factory, ITT Jabsco, 501 W. Liberty Street, Springfield, Ohio 45501.

Jabsco



THE PRODUCTS DESCRIBED HEREIN ARE SUBJECT TO THE JABSCO ONE YEAR LIMITED WARRANTY, WHICH IS AVAILABLE FOR YOUR INSPECTION UPON REQUEST.

U.S.A.
Jabsco
20 Icon
Foothill Ranch, CA 92610-3000
Tel: (949) 609-5106
Fax: (949) 859-1254

UNITED KINGDOM
Jabsco
Bingley Road, Hoddesdon
Hertfordsire EN11 0BU
Tel: +44 (0) 1992 450145
Fax: +44 (0) 1992 467132

CANADA
Fluid Products Canada
55 Royal Road
Guelph, Ontario N1H 1T1
Tel: (519) 821.1900
Fax: (519) 821.2569

JAPAN
NHK Jabsco Company Ltd.
3-21-10, Shin-Yokohama
Kohoku-Ku, Yokohama, 222
Tel: 045.475.8906
Fax: 045.475.8908

GERMANY
Jabsco GmbH
Oststrasse 28
22840 Norderstedt
Tel: +49-40-53 43 73 -0
Fax: +49-40-53 53 73 -11