

Model 6050-0713

WASTE TANK PUMP-OUT SYSTEM

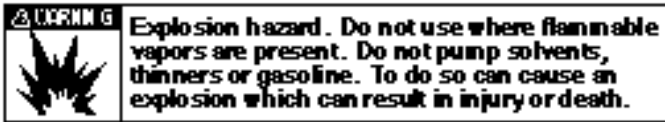
FEATURES

Pump:	Self-Priming Flexible Impeller, Bronze
Impeller:	Jabsco Nitrile Compound
Seal:	Lip Type
Motor:	3/4 HP Capacitor Type, Overload Protector, 1725 RPM, 60 Hz Single Phase, 115 Vac with 8' cord and plug
Switch:	Vacuum Switch, Automatic
Discharge Port:	1" NPT, Internal
Suction Hose:	6050-0713 - 15', 1-1/4" ID Heavy Duty, Flexible Reinforced
Nozzle:	Tapered Soft Rubber with check valve. Fits 1-1/2" Diameter deck fittings.
Shaft:	Steel Motor Shaft protected by Stainless Steel Impeller Sleeve



Model 6050-0713

APPLICATION



Designed for use as a holding tank pump out system. Extra large ports prevent clogging. Pumps 18 gallons per minute and will pump up to 50 ft head. The unit is portable and compact for easy handling. Pump is a Jabsco bronze, self-priming design (close coupled) to a rugged 3/4 HP 115 Vac single phase 60 Hz motor.

Comes complete with suction hose and right angle deck fitting nozzle with built-in check valve to prevent back flow. An automatic vacuum switch shuts the pump off when the vessel's holding tank is empty. No need to stand by while pumping out and no damage to the pump.

PLUMBING

1. Attach end of suction hose adaptor to suction port on pump (right port when facing pump) and clamp securely.
2. Connect a suitable discharge hose or pipe (not supplied with pump) to discharge port. For maximum efficiency and performance, use a minimum of 1-1/2" (38mm) diameter hose or pipe in installations requiring a total of 50' to 150' (15.2 to 45.7m) piping. For installations requiring 25' to 50' (7.6 to 15.2m) total piping, use a minimum of 1-1/4" (32mm) diameter hose or pipe. For installations requiring less than 25'

THIS PUMP OUT SYSTEM MUST BE USED WITH PROPER SHORESIDE FACILITIES, IN ACCORDANCE WITH FEDERAL EPA/USCG AND LOCAL REGULATIONS.

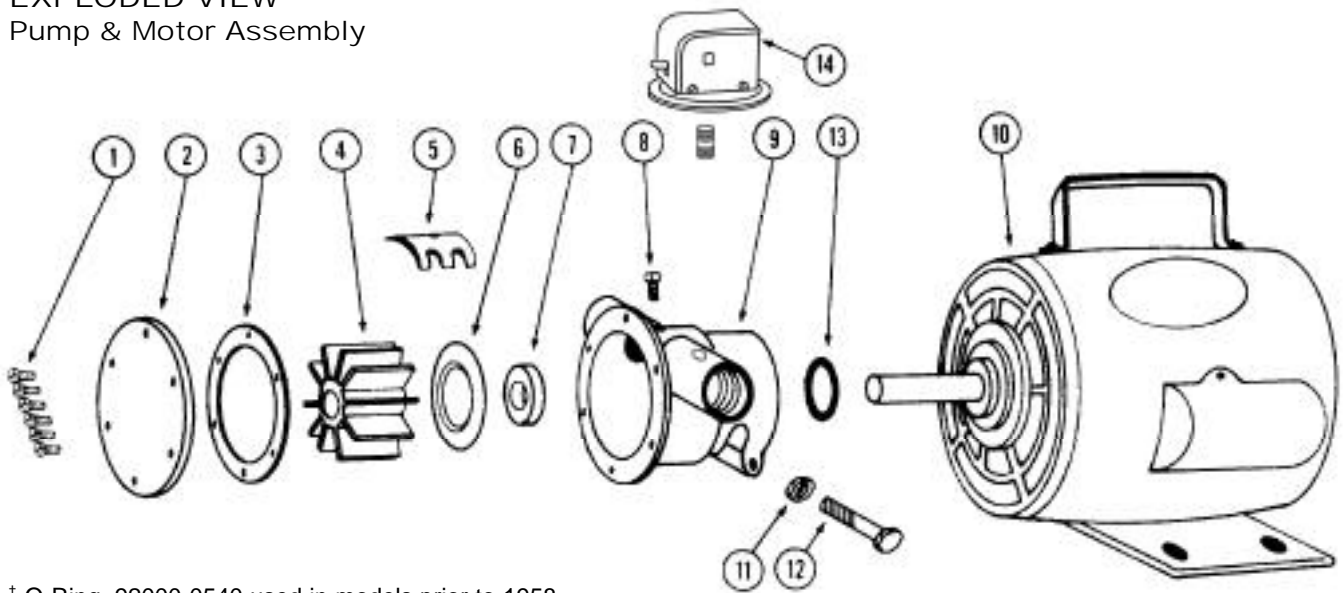
(7.6m) total piping, use a minimum of 1" (25mm) diameter hose or pipe. For unusually long or complicated piping systems, contact factory for engineering assistance.

OPERATION

1. Connect pump to 115 Volt AC power source. Make sure that adequate voltage and current capacity are available.
2. Press suction nozzle firmly into waste fitting, being sure to make an airtight seal.
3. Press lever on vacuum switch down for a few seconds to start the pump. The lever will stay down as long as the unit is pumping. When tank is completely pumped out, it will shut off automatically. If lever will not stay down on start up, check to be sure suction nozzle is airtight and that there is liquid in the tank. Also ensure deck-plate construction does not create an air leak.

DO NOT HOLD LEVER DOWN FOR MORE THAN 15 SECONDS. IF PUMP IS RUN DRY FOR LONGER THAN 1 MINUTE, IMPELLER MAY BE DAMAGED.

EXPLODED VIEW
Pump & Motor Assembly



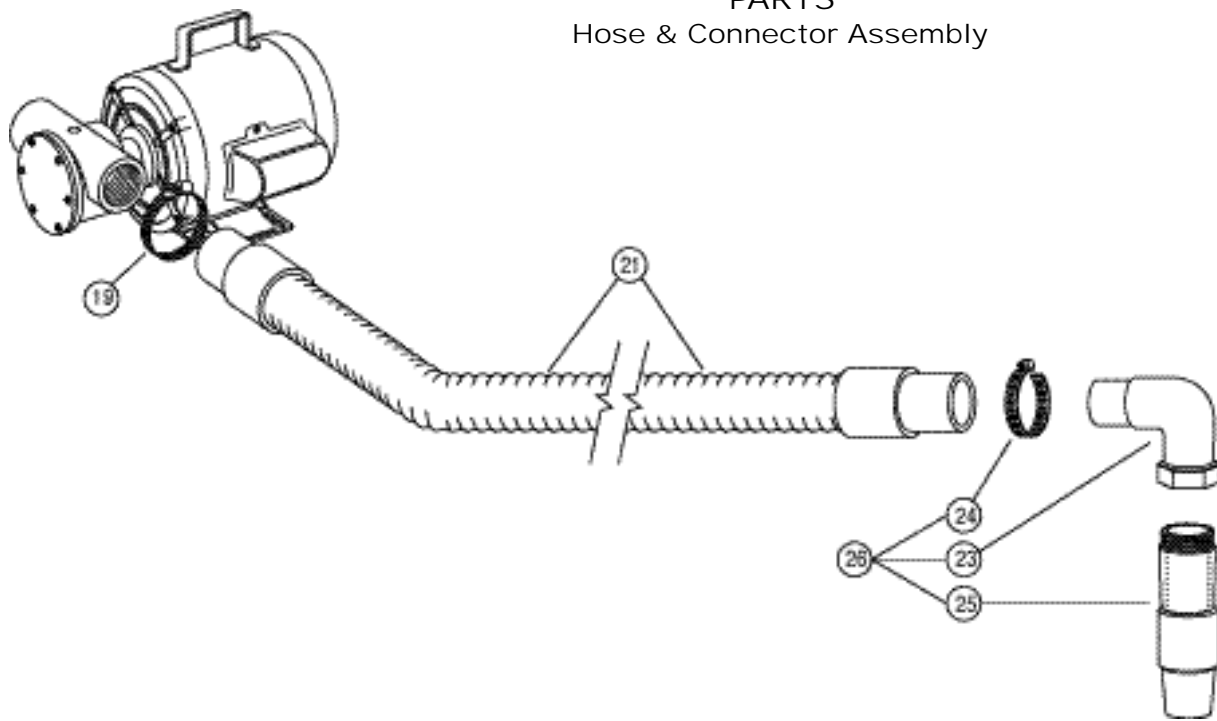
† O-Ring, 92000-0540 used in models prior to 1958

PARTS LIST: PUMP & MOTOR ASSEMBLY

Key	Description	Qty.	Part Number
1	Screw End Cover	6	91003-0010
2	End Cover	1	11831-0000
3	Gasket*	1	890-0000
4	Impeller*	1	6056-0003
5	Cam	1	17248-0000
6	Wearplate	1	4156-0010
7	Seal*	1	92700-0080
8	Screw - Cam	1	91004-0110
9	Body	1	6054-0010
10	Motor	1	18736-0000
11	Nut - Clamp	1	91105-0030
12	Bolt - Clamp	1	91095-0090
13	O-Ring (Slinger)	1	18753-0086
14	Vacuum Switch Kit	1	4732-0000
	Service Kit	-	90058-0003

*These parts are supplied in Service Kit.

PARTS
Hose & Connector Assembly



PARTS LIST: HOSE & CONNECTOR ASSEMBLY

Key	Description	Qty.	Part Number
19	Hose Clamp	1	93002-0130
21	Suction Hose	1	93003-0200
23	Elbow	1	92003-0050
24	Hose Clamp	1	93002-0120
25	Nozzle	1	18476-0000
26	Nozzle Assemble***	1	17436-0000

***Elbow (92003-0050), Hose Clamp (93002-0120), and Nozzle (18476-0000) are supplied together as part #17436-000.

ONE YEAR LIMITED WARRANTY

A. LIMITED WARRANTY:

Jabsco warrants that at the time of shipment, the products manufactured by Jabsco and sold hereunder shall be in conformity with applicable written specifications and descriptions referred to or set forth herein, free from defects in material and, merchantable, and suitable for a particular purpose, provided such is implied by State law under the circumstances of this sale.

B. WARRANTY ADJUSTMENT:

1. Jabsco agrees to repair or furnish a replacement for, but not to remove or install, any product or component thereof which, within one (1) year from date of purchase, shall upon test and examination by Jabsco prove defective within the above warranty. Receipt verifying purchase date is required to obtain adjustment.
2. Buyer shall notify Jabsco of any defect within this warranty no later than ninety (90) days after the defect is discovered.
3. No product will be accepted for return or replacement without the prior written authorization of Jabsco. Upon such authorization, and in accordance with instructions from Jabsco, the product will be returned to Jabsco, shipping charges prepaid by Buyer. Products returned to Jabsco will be addressed as follows:

JABSCO
1485 Dale Way
Costa Mesa, California 92626-3998

Or to such alternate locations as may be designated on the product, its container, or this sheet.
Repair or replacement made under this warranty will be shipped prepaid to Buyer.

C. EXCLUSIONS FROM WARRANTY AND LIMITATION OF LIABILITY:

1. The foregoing warranty is limited solely as set forth herein and applies only for the period designated above.

2. JABSCO SHALL NOT BE LIABLE FOR ANY LOSS, DAMAGE, SPECIAL OR CONSEQUENTIAL DAMAGE OF ANY KIND, WHETHER BASED UPON WARRANTY, CONTRACT, NEGLIGENCE, OR STRICT LIABILITY ARISING IN CONNECTION WITH THE SALE, USE, OR REPAIR OF THE PRODUCT.
3. THE MAXIMUM LIABILITY OF JABSCO IN CONNECTION WITH THIS WARRANTY SHALL NOT IN ANY CASE EXCEED THE CONTRACT PRICE FOR THE PRODUCT CLAIMED TO BE DEFECTIVE OR UNSUITABLE.
4. This warranty does not extend to any product manufactured by Jabsco which has been subjected to misuse, neglect, accident, improper installation, or use in violation of instructions furnished by Jabsco.
5. This warranty does not extend to or apply to any unit which has been repaired or altered at any place other than Jabsco's factory, or by persons not expressly approved by Jabsco, nor to any unit the serial number, model number, or identification of which has been removed, defaced or changed.
6. Components manufactured by any supplier other than Jabsco shall bear only that warranty made by the manufacturer of that product.
7. This warranty applies to products defined as "consumer products" by the Consumer Product Warranties Act as from time to time amended.

D. CONSUMER RIGHTS:

This warranty gives you specific legal rights, and you may have other rights which vary from state to state. Some states do not allow exclusion or limitation of damages.

STANDARD WARRANTY: If the products manufactured and sold hereunder are not Consumer Products, the warranty extended to Buyer shall be as set forth in subparagraphs (A), (B), and (C), **EXCEPT THAT ALL EXPRESS OR IMPLIED WARRANTIES OR MERCHANTABILITY OR SUITABILITY FOR ANY PARTICULAR PURPOSE ARE EXCLUDED.**

Jabsco



U.S.A.
Jabsco
20 Icon
Foothill Ranch, CA 92610-3000
Tel: 949.609.5106
Fax: 949.859.1254

UNITED KINGDOM
Jabsco
Bingley Road, Hoddesdon
Hertfordsire EN11 OBU
Tel: +44 (0) 1992 450145
Fax: +44 (0) 1992 467132

CANADA
Fluid Products Canada
55 Royal Road
Guelph, Ontario N1H 1T1
Tel: (519) 821.1900
Fax: (519) 821.2569

JAPAN
NHK Jabsco Company Ltd.
3-21-10, Shin-Yokohama
Kohoku-Ku, Yokohama, 222
Tel: 045.475.8906
Fax: 045.475.8908

GERMANY
Jabsco GmbH
Oststrasse 28
22840 Norderstedt
Tel: +49-40-53 43 73 -0
Fax: +49-40-53 53 73 -11