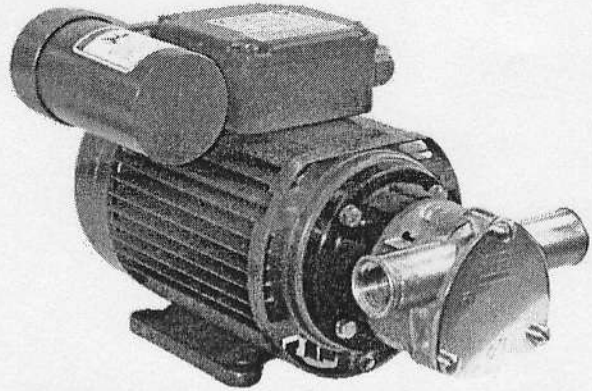


## 50020 Series Bronze Flexible Impeller Pump

### Features

- Self prime from dry up to 1.5 metres
- Flows up to 18 litres per minute
- Pressure up to 1.7 bar
- Will handle hard or soft solids
- Will tolerate abrasive wear
- Non pulsating flow
- Will handle viscosities up to 500 centiPoise
- Uses standard IEC motor



### Typical Applications

- **Industrial** : Industrial filling systems, Utility shop pump, Transfer systems, Recharge water softeners, Sump emptying, Cooling tower circulation, Line cleaning, Heat exchangers, Air scrubbers, Processing systems, Laboratory circulation and Oil changing
- **Plumbing** : Emptying clogged drains, Pump out water closets and Empty sumps, sinks & tubs.
- **Contractors** : Cement mixing, Wash down equipment, Empty basements and Fill & empty tanks.
- **Agricultural** : Fill water tanks, Flush animal pens and Pumping water for livestock.
- **Food & Beverage** : Vending machines, Refrigeration condensate pump out, Wash down equipment and Floor cleaning.

### Specifications

**Seal** : Nitrile lip seal

**Pump Head** : Bronze

**End Cover** : Brass

**Bearings** : Uses motor bearings

**Shaft** : Stainless steel, shaft extension

**Ports** : ½" BSP internal thread and 25mm (1") bore hose connections

**Motor Adaptor** : Polypropylene

**Weight** : 6.4kg

### Model Options

Impeller option				Neoprene	Nitrile
Temperature range				4°C to 80°C	-5°C to 90°C
Poles	Volts	Amps	RPM		
4	230	2.13	1450	50020-2411	50020-2413
Pump head only				50021-2411	50021-2413


Motors are single phase, 180 Watt, 50 Hertz, AC. Face & Foot mounting B3-B14.

Enclosure IP55, frame size 63 all IEC 72 standard. Fitted with manual reset thermal overload.


Note : it is not recommended to start the pump at extreme ends of the temperature range, impeller damage may occur

For Installation, Operating, Maintenance and Safety Instructions refer to form 43001-0543

**WARNING** Explosion hazard. Do not pump gasoline, solvents, thinners or other flammable liquids. To do so can cause an explosion resulting in injury or death.



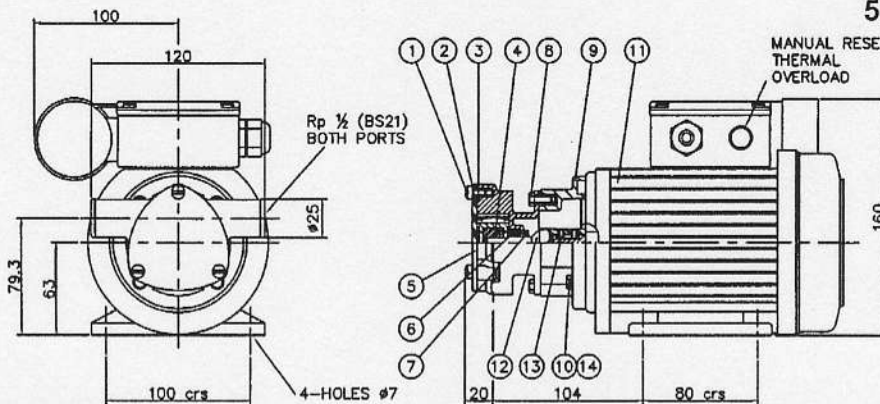
**WARNING** Fire hazard. Wiring must comply with applicable electrical standards and include a properly sized fuse or circuit breaker. Improper wiring can cause a fire resulting in injury or death.





# 020 Size Bronze Flexible Impeller AC Motor Pump Unit

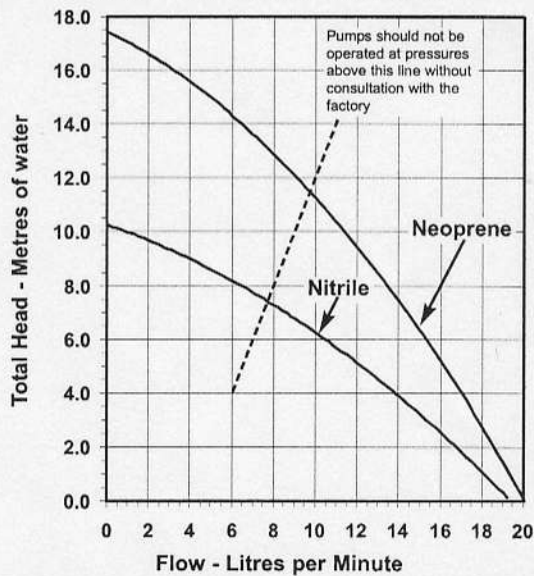
04/00



## Parts List

KEY	DESCRIPTION	QTY	PART NUMBER
1	Screw	3	SP1004-09
2	Endcover	1	9328-0200
3	O-Ring	1	X5251-049
4	Impeller	1	Neoprene 7273-0001 Nitrile 7273-0003
5	Body	1	23064-2100
6	Lip Seal	1	SP2701-52
7	Slinger	1	6342
8	Screw	M5 x 12	2 X3001-151F
9	Adaptor	1	50168-0000
10	Screw	M5 x 16	4 X3001-153F
11	Motor	1	SP8012-0260
12	Shaft Extension	1	50167-0000
13	Socket Screw	2	X3009-093F
14	Washer	4	X3080-081F

## Performance



Note : Performance shown is for a new pump, pumping water at 20°C, performance may vary by up to 15%. Consult factory for performance of alternative impeller compounds.

Jabsco



ITT Industries

USA

Jabsco  
1485 Dale Way  
Costa Mesa  
CA 92628-2158

Tel : +1 714 545 8251  
Fax : +1 714 957 0609

UK

Jabsco  
Bingley Road  
Hoddesdon  
Hertfordshire, EN11 0BU

Tel : +44 (0) 1992 450 145  
Fax : +44 (0) 1992 467 132

GERMANY

Jabsco GmbH  
Oststraße 28  
22844 Norderstedt

Tel : +49 (0) 40 53 53 73 0  
Fax : +49 (0) 40 53 53 73 11

Warranty: All products of the company are sold and all services of the company are offered subject to the company's warranty and terms and conditions of sale, copies of which will be furnished upon request. The information provided herein is for guidance only, it does not constitute a guarantee of the performance or specification of any individual product or component.

©Copyright 1999 ITT Industries

SD3063