



# 005 Size Flexible Impeller AC Motor Pump Unit

2/99

## 50005 Series

### Bronze Flexible Impeller Pump

#### Features

- Self primes from dry up to 1.5 metres
- Flows up to 4.5 litres per minute
- Pressure up to 2 bar
- Handles hard or soft solids
- Tolerates abrasive wear
- Non pulsating flow
- Handles viscosities up to 500 centiPoise
- Uses standard IEC motor



#### Typical Applications

- **Industrial** : Industrial filling systems, utility shop pump, transfer systems, recharge water softeners, sump emptying, cooling tower circulation, line cleaning, heat exchangers, air scrubbers, laboratory circulation, oil changing.
- **Plumbing** : Empty clogged drains, sumps, sinks & tubs, pump out water closets.
- **Contractors** : Cement mixing, wash down equipment, fill & empty tanks, empty basements.
- **Agricultural** : Fill water tanks, flush animal pens, plumbing water for livestock.
- **Food, Beverage & Dairy** : Vending Machines, refrigeration condensate pump out, wash down equipment & floor cleaning.

#### Specifications

- Seal** : Nitrile lip seal
- Pump Head** : Bronze
- End Cover** : Brass
- Bearings** : Uses motor bearings
- Shafts** : Stainless steel shaft extension
- Ports** : 12.5mm (1/2") Bore hose connections
- Motor Adaptor** : Polypropylene
- Weight** : 6.2kg

#### Model Options

Impeller option				Neoprene	Nitrile
Temperature range				4°C to 80°C	-5°C to 90°C
Poles	Volts	Amps	RPM		
4	230	2.13	1450		50005-8413
4	115	4.20	1450	50005-8611	
Pump head only					50005-00-8413

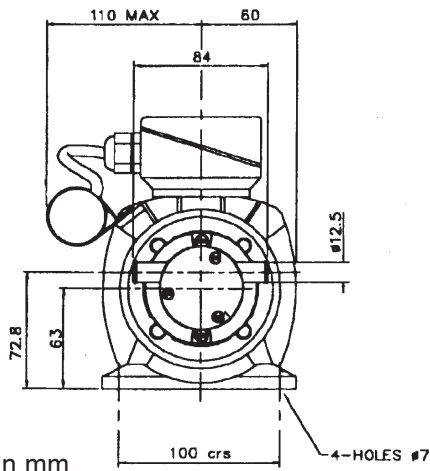
Motors are single phase, 180 Watt, 50 Hertz, AC. Face & Foot mounting B3-B14.  
Enclosure IP55, frame size 63 all IEC 72 standard. Fitted with manual reset thermal overload.

Note : it is not recommended to start the pump at extreme ends of the temperature range, impeller damage may occur

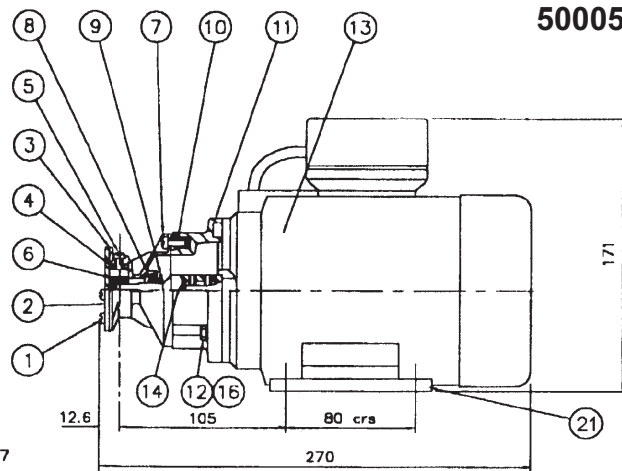
For Installation, Operating, Maintenance and Safety Instructions refer to form 43001-0543

**WARNING** Explosion hazard. Do not pump gasoline, solvents, thinners or other flammable liquids. To do so can cause an explosion resulting in injury or death.

**WARNING** Fire hazard. Wiring must comply with applicable electrical standards and include a properly sized fuse or circuit breaker. Improper wiring can cause a fire resulting in injury or death.



Dimensions in mm



50005 Series

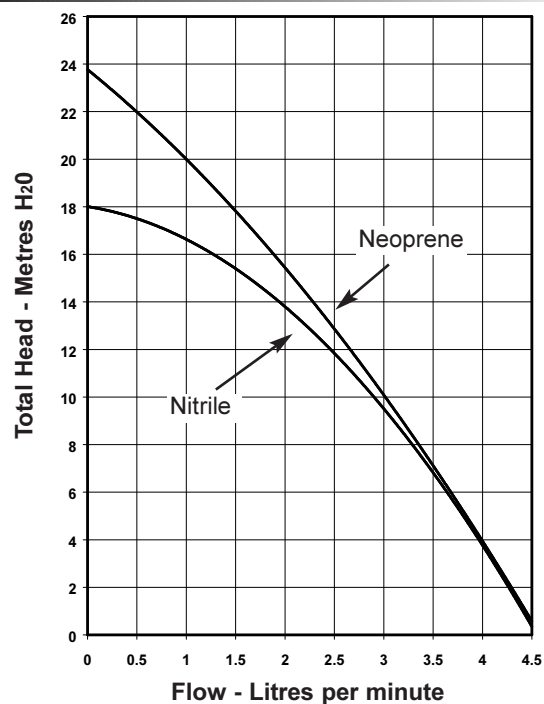
### Parts List

Key	Description	Qty	Part Number
1	Screw *	3	SP1002-09
2	Endcover	1	23155-0000
3	Gasket *	1	7828
4	Cam	1	8089
5	Screw	1	SP1002-01
6	Impeller *	1	See below
7	Body	1	23154-1000
8	Lip Seal *	1	SP2701-52
9	Slinger	1	6342
10	Screw - M5 x 12	2	X3001-151F
11	Adaptor	1	50168-0000
12	Screw - M5 x 16	4	X3001-153F
13	Motor 4 Pole 230V	1	SP8012-0260
	Motor 4 Pole 115V	1	98012-9279
14	Shaft Extension Kit	1	50167-0000
16	Washer	4	X3080-081F

### Commonly used spare parts & service kit numbers

Elastomers	Neoprene	Nitrile
Impeller key 6	14750-0001	14750-0003
Service kit contains parts shown above	SK374-0013	SK374-0021
Models with Neoprene Impeller use Nitrile Lip Seal		

### Performance



**Note :** Performance shown is for a new pump, pumping water at 20°C, performance may vary by up to 15%. Consult factory for performance of alternative impeller compounds.

Jabsco



ITT Industries

USA

**Jabsco**  
1485 Dale Way  
Costa Mesa  
CA 92628-2158

Tel : +1 714 545 8251  
Fax : +1 714 957 0609

UK

**Jabsco**  
Bingley Road  
Hoddesdon  
Hertfordshire, EN11 0BU

Tel : +44 (0) 1992 450 145  
Fax : +44 (0) 1992 467 132

GERMANY

**Jabsco GmbH**  
Oststraße 28  
22844 Norderstedt

Tel : +49 (0) 40 53 53 73 0  
Fax : +49 (0) 40 53 53 73 11