

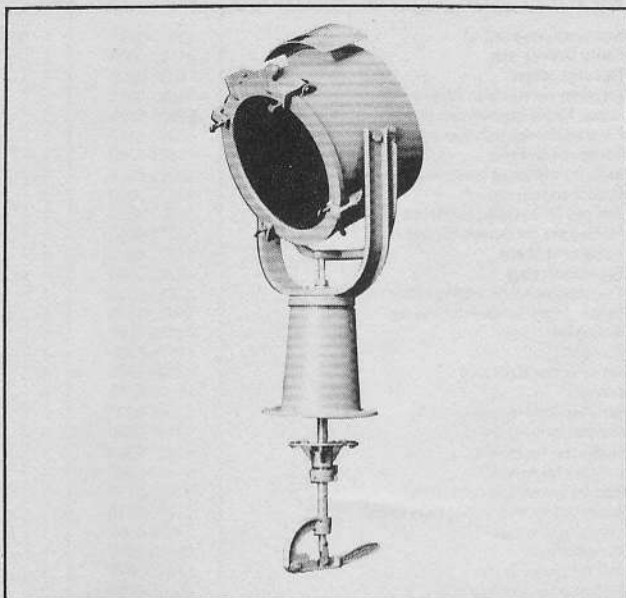
RAY-LINE®

MARINE SEARCHLIGHTS

14" Diameter MODEL 41633-0210 Lever Control

PRODUCT DATA

MODEL 41633-0210 LEVER CONTROL



FEATURES

- Corrosion-resistant cast aluminum construction.
 - Gray marine lacquer finish over zinc-chromate primer.
 - Vented weatherproof drum.
 - Heat resistant tempered convex lens set in asbestos gasket and sealing compound.
 - Escutcheon plate covers and finishes clearance hole in cabin ceiling.
 - Single-lever control for quick horizontal and vertical sweep.
 - 360° horizontal and 70° vertical motion.
 - Horizontal and vertical locking device.
 - Medium pre-focus bulb socket.
 - Precision-formed tempered convex mirror reflector.
 - Auxiliary reflector for beam efficiency.
 - External focusing device.
 - Hinged door for ease of relamping.
 - Rubber covered wiring cable with watertight fitting.
 - Shipping weight: approximately 50 lbs.
- Meets U.S. Coast Guard Requirements (CG-293).

INSTALLATION AND MAINTENANCE

INSTALLATION INSTRUCTIONS: Searchlight should be mounted so base is level. Drill a 1" clearance hole through roof for outside control rod. Remove bolt for connecting links to rod (Key 10C, 10D). Loosen set screw (Key 9A) and remove handle (Key 10) and fulcrum (Key 9). Loosen set screw (Key 8A) and thumbscrew (Key 6A). Remove fixed stop (Key 8), sliding stop (Key 7) and escutcheon plate (Key 6).

Mount light in place. After putting sealing compound under base, fasten to roof with (6) 5/16" diameter bolts or wood screws. Replace escutcheon plate and mount plate to ceiling with thumbscrew facing aft. With light facing forward, place sliding stop (Key 7) over the outside control rod and firmly against the escutcheon plate. Place the fixed stop (Key 8) firmly against the sliding stop and with the stop point facing forward, firmly tighten set screws (Key 8A).

Replace handle and fulcrum. Tighten set screws (Key 9A) to firmly fasten fulcrum to outside control rod. Check that all set screws and bolts on searchlight are tightened properly.

WIRING INSTRUCTIONS: Use stranded copper wire. For 110 volt applications, use No. 14 gauge wire for up to 75' from power source. For lengths greater than 75', a heavier gauge wire should be used. Connect green wire to ground. Wire should be fused for 15 amps.

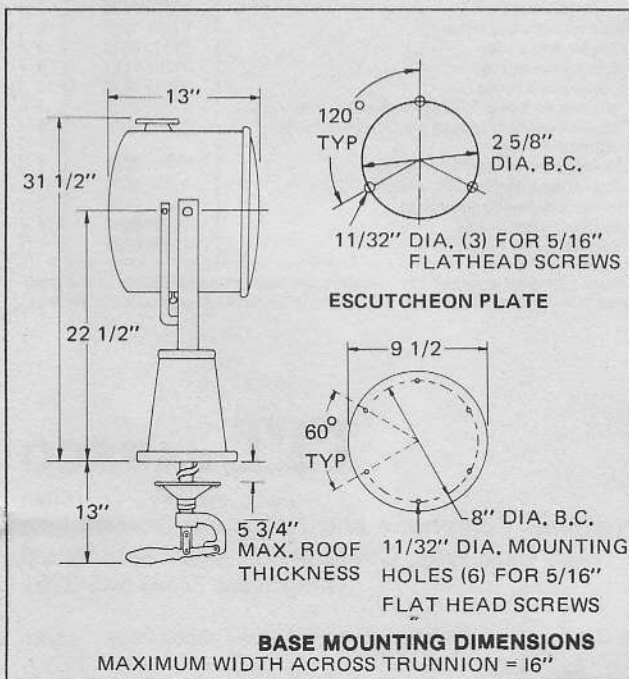
RELAMPING AND FOCUSING: Loosen thumbscrew (Key 13J) and move dogs away to open door. Remove bulb by pushing in and turning counter-clockwise. Clean mirror and auxiliary reflector with a soft, lint-free cloth. Install new bulb or kit. Close door and tighten thumbscrews. Adjust focusing with thumbscrew (Key 19A) for desired beam width.

BULB SELECTION DATA				
Medium Prefocus Bulb Number	Voltage	Wattage	Rated Service Life (hours)	Bulb Code
98039-0030	120	500	50	DMX
98039-0140	120	750	25	DPJ
98039-0410	120	1000	50	DRC
98039-0150	120	1000	25	DRS

Light is supplied less bulb.

QUARTZ BULB KIT

Kit Number	Volts	Watts	Hr.
43591-0000	32 DC	200	200

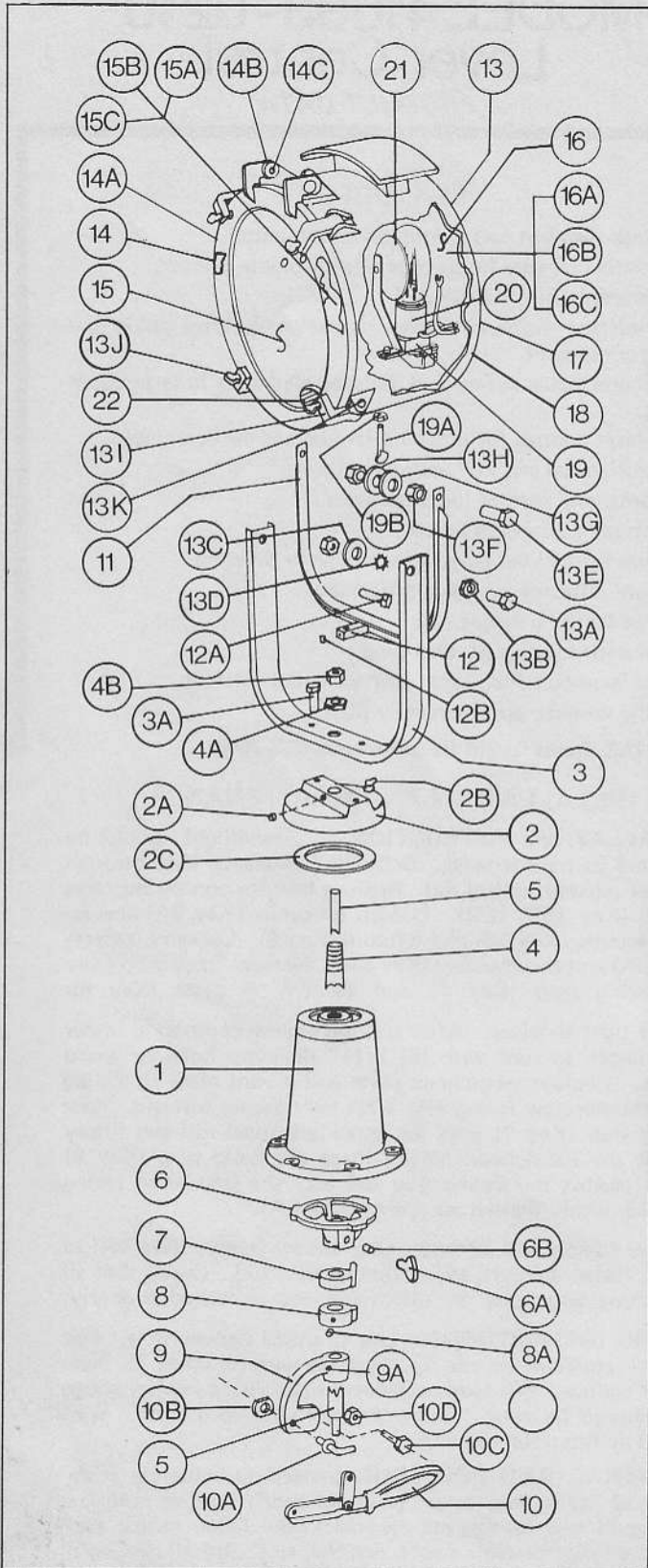


ITT JABSCO

INSTALLATION AND MAINTENANCE (Cont'd.)

MAINTENANCE: Clean the bulb, lens, auxiliary reflector and main reflector periodically with a soft, lint-free cloth for best

efficiency. Lubricate with all-weather grease at grease fitting. Carefully check all bolts and set screws for proper tightness.



PARTS LIST

Key	Description	Part Number	Qty.
1	Base (includes bushing)	42051-0010	1
	Delrin bushing only	41683-0010	1
	Trunnion adapter	41684-0000	1
2A	Set screw for trunnion adapter	96091-0030	1
2B	Grease fitting for trunnion adapter	91501-0050	1
2C	Fibre washer for trunnion adapter	96010-0140	1
3	Horizontal trunnion	41667-0000	1
3A	Bolts for mounting horizontal trunnion	96050-0160	2
4	Outside control rod	41672-0000	1
4A	Jam nut for outside control rod	34192-0000	1
4B	Packing nut for outside control rod	43219-0000	1
5	Inside control rod	41671-0000	1
6	Escutcheon plate	43192-0000	1
6A	Thumbscrew for escutcheon plate	92851-0080	1
6B	Nylon insert for thumbscrew tap	98022-1540	1
7	Sliding limit stop	41676-0000	1
8	Fixed stop	41674-0000	1
8A	Set screw for fixed stop	91084-0020	2
9	Fulcrum	41678-0000	1
9A	Set screw for fulcrum	91084-0020	2
10	Handle (includes links)	43193-0000	1
10A	Lockscrew for handle	41681-0000	1
10B	Locknut for handle	41680-0000	1
10C	Bolt for connecting links to rod	91043-0190	1
10D	Acorn nut for connecting links to rod	91085-0410	1
11	Elevating trunnion	41668-0000	1
12	Trunnion arm	41669-0000	1
12A	Bolt for trunnion arm	91095-0910	1
12B	Set screw for trunnion arm	96091-0050	1
13	Housing	41637-0000	1
13A	Bolt for mounting housing to horizontal trunnion	91094-0950	2
13B	Nut for mounting housing to horizontal trunnion	91085-0620	4
13C	Flat washer for mounting housing to horizontal trunnion	91613-0740	2
13D	Star washer for mounting housing to horizontal trunnion	91613-0730	2
13E	Bolt for fastening housing to elevating trunnion	91095-0700	2
13F	Nut for fastening housing to elevating trunnion	91085-0640	4
13G	Flat washer for fastening housing to elevating trunnion	91613-0310	2
13H	Star washer for fastening housing to elevating trunnion	91613-0300	2
13I	Dogs for clamping door	41645-0010	4
13J	Thumbscrew for dogs	92851-0130	4
13K	Dog hinge pins	91113-0020	4
14	Door (frame only/less lens)	41635-0000	1
14A	Gasket for door	43220-0010	1
14B	Door hinge pins	91113-0040	2
14C	Pal clips for hinge pins	35827-0000	2
15	Lens	41636-0000	1
15A	Clips for mounting lens	41649-0000	4
15B	Bolts for mounting lens	96050-0180	4
15C	Gasket for lens	43220-0000	1
16	Mirror reflector (main)	41638-0000	1
16A	Clips for mounting mirror	41642-0000	3
16B	Pads for mirror clips	43223-0000	3
16C	Bolts for mirror clips	96050-0120	3
17	Wire entrance fitting	98045-0030	1
18	Wire harness & cord (includes terminals & heat shields)	41663-0000	1
19	Focusing assembly (complete with socket, auxiliary reflector & base)	43199-0000	1
19A	Thumbscrew for focusing assembly	92851-0070	1
19B	Bolt for mounting focusing assembly	91095-0320	1
20	Socket only (medium pefocus)	98041-0030	1
21	Auxiliary reflector only	41639-0000	1
22	Vent screens for bottom of housing	41650-0000	4

Items in Parts List with lettered key numbers are supporting hardware to the basic part number (i.e. key numbers 15A, 15B and 15C should be ordered with the lens, Key 15).

ITT JABSCO

MARC Division
International Telephone and Telegraph Corporation
1485 Dale Way, Costa Mesa, California 92626
Telephone: (714) 545-8251