

37202-2712

- New, higher output 15lpm (3.3gpm) bilge pump model
- Quieter Running
- Constructed From Corrosion Resistant Materials
- ISO 8846 MARINE (Ignition Protection)
- ISO 8849 MARINE (Electric Bilge Pumps)
- BSEN 50081 (Electro Magnetic Compatibility)
- Dry Running
- Supplied Complete With Pumpguard

Specifications

- 900 lph (210 gph) at 3m H₂O (30 Kpa)
- Self Priming to 2 metres (6 ft)
- Connections for 19mm (¾") I.D. hose

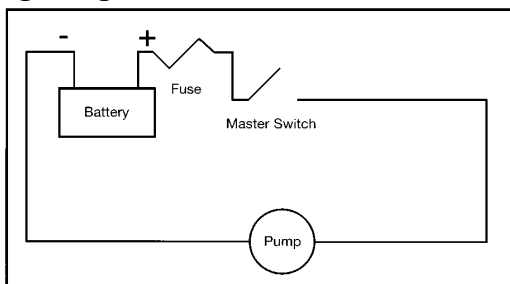
Installation and Safety

1. Fit pump in a dry position, as close as possible to the liquid being pumped, where there is full access to the pump for service.
2. Use 19mm (¾") i.d. spiral reinforced hose (with a smooth internal bore), or semi-rigid pipework systems.
3. Pipe runs should be as straight and as short as possible, avoiding rising and dipping over obstructions.
4. Fit strainer on inlet side of pump.
5. All marine pumps discharging overboard must be installed with the overboard discharge well above both static and heeled waterlines (Sailboats normally discharge through the transom).
6. Motor cases may get hot. Prolonged contact during operation may cause burns.
7. Do no use for pumping petrol, petroleum products, or fluids with flash points below 37°C.

Electrical Connections

- Wire the pump in an independent circuit.
- Refer to the diagram for wiring connections.
- Refer to wiring table for fuse and wire size.
- If installing with a two or three way master switch, ensure that it has a minimum 10 amp capacity.

Wiring Diagram



Wiring Table

Model No.	Fuse Size	Cable Length *	Wire Size
37202-0712	10 amp	0 - 7.6m (0 - 25ft)	2.5mm ²
		7.6 - 15m (25 - 50ft)	4mm ²

*Cable length is the total distance from the battery to the pump and back to the battery.

Maintenance



ALWAYS DISCONNECT PUMP FROM POWER SUPPLY!

Remove pipework, remove four connecting bolts from pump, remove motor bracket and diaphragm assembly.

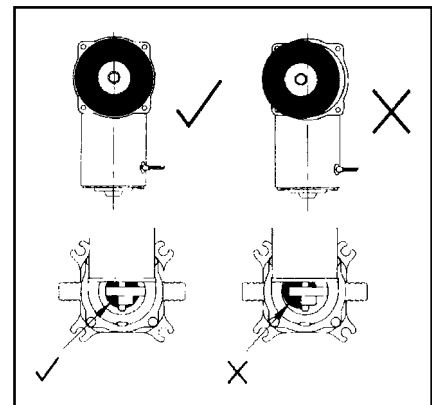
Valve Replacement

Remove valve retaining plate, remove and replace valves ensuring correct installation. Replace valve retaining plate.

Diaphragm Replacement

Unscrew bolt separating diaphragm assembly, reassemble new diaphragm, diaphragm plate, washer and bolt onto connecting rod.

Ensure the diaphragm is located centrally before reassembling the motor, bracket and diaphragm onto the body.



Connecting Rod Replacement

Undo set screw, remove two motor mounting screws and pull away from bracket and connecting rod assembly. Unscrew bolt separating diaphragm assembly and connecting rod. Reassemble diaphragm, diaphragm plate, washer, and bolt onto new connecting rod. Mount motor onto bracket aligning connecting rod assembly. Tighten set screw. Reassemble diaphragm assembly and bracket onto body.

Pulsation Dampener Replacement

Remove pump mounting screws. Remove foot screw and foot. Pull out and replace pulsation dampener positioning the three ribbed cavity on the discharge side. Replace foot and foot screw.

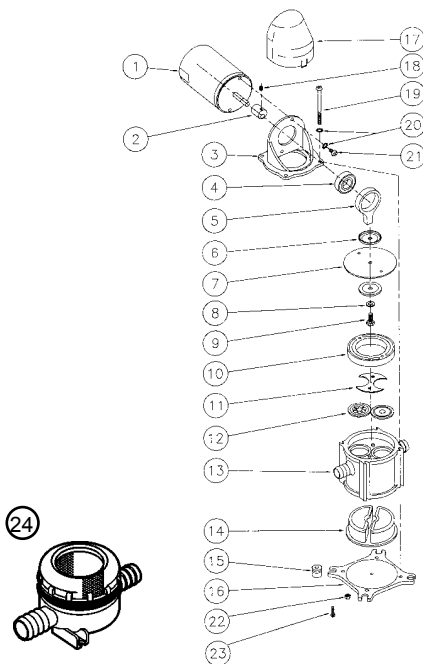
Winter Storage

Completely remove water from pump by removing pipework, and running the pump until all the water is expelled

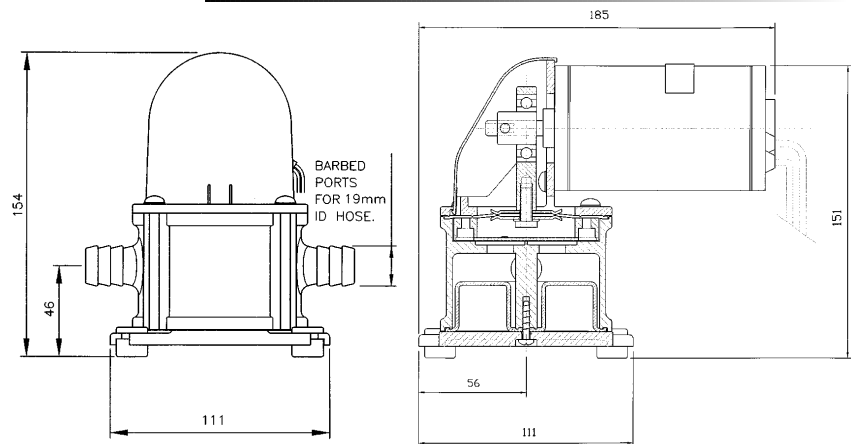
Repair Kits Available		
Kit	Part No.	Description
A	50095-1000	Major Service Kit
B	50096-1712	Motor Kit 12V
C	50097-1000	Connecting Rod Kit

Key	Description	Qty	Part Number	Qty per kit		
				A	B	C
1	Motor 12V	1			1	
2	Eccentric Drive	1				1
3	Bracket	1	50092-0000			
4	Bearing	1				
5	Con Rod	1		1		
6	Diaphragm Plate	1	35688-0000	1		
7	Diaphragm	1	50099-1000	1		
8	Sealing Washer	1		1		1
9	Bolt	1		1		1
10	Diaphragm Ring	1	35778-0000			
11	Valve Retainer	1	35816-0000	1		
12	Valve Set	1	30005-0000	1		
13	Body	1	50098-1000	1		
14	Pulsation Dampner	1	37179-0000	1		
15	Grommet	4		1		
16	Foot	1	50094-1000			
17	Cover	1	50093-1000			
18	Grub Screw	1				1
19	Bolt	4		1		1
20	Lock Washer	2			2	1
21	Motor Screw	2			2	1
22	Nut	4		1		1
23	Screw	1		1		
24	Pumpguard	1	46200-0000			

Exploded View



Dimensional Drawings



Dimensions in mm

Jabsco



ITT Industries

Jabsco, 20 Icon, Foothill Ranch, CA 92610-3000

Tel : +1 949 609 5106

Fax : +1 949 859 1153

USA

Jabsco, Bingley Road, Hoddesdon, Hertfordshire, EN11 0BU

Tel : +44 (0) 1992 450 145

Fax : +44 (0) 1992 467 132

UK

Fluid Products Canada, 55 Royal Road, Guelph, Ontario N1H 1T1

Tel : +1 519 821 1900

Fax : +1 519 821 5316

CANADA

NHK Jabsco Co Ltd, 3-21-10, Shin - Yokohama, Kohoku-ku, Yokohama 222

Tel : +81 (0) 45 475 8906

Fax : +81 (0) 45 475 8908

JAPAN

Jabsco GmbH, Oststraße 28, 22844 Norderstedt

Tel : +49 (0) 40 53 53 73 0

Fax : +49 (0) 40 53 53 73 11

GERMANY

Warranty: All products of the company are sold and all services of the company are offered subject to the company's warranty and terms and conditions of sale, copies of which will be furnished upon request.