

### ELECTRIC TOILET BASE

This Electric Toilet-Base Kit will update all early model Jabsco Electric Toilets to the current more stylish and easier to clean toilet design. It should be noted that while the base is about 1/2" larger in diameter, the base mounting screw holes on either side remain in the same location. In most applications the two side hold-down fasteners should be adequate to secure the base in place. However, for slightly more security, since the two rear attachment points on the old base design are no longer utilized, an additional forward fastening point has been added. 1/4" (6 mm fasteners) are generally sufficient to secure the base in place.

**WARNING**



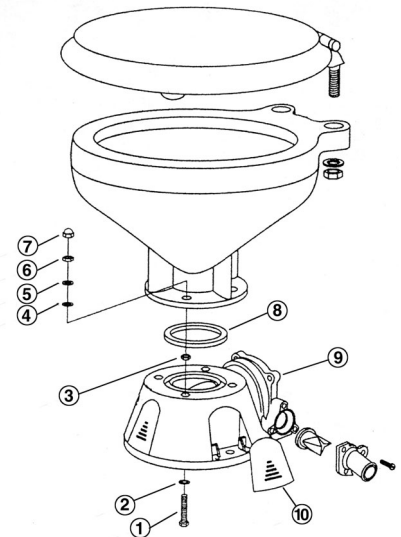
**Flood hazard. Before performing any service, close all waste system seacocks. Failure to do so can result in flooding which can cause loss of property and life.**

**NOTICE:** Before performing any service, disconnect the power supply to the toilet and take precaution to ensure it is not reconnected until the service is completed.

#### BASE INSTALLATION

- A. Remove the toilet with old base from its mounting surface. Remove the bowl to base attachment fasteners and lift the bowl from the old base. Remove the four screws that secure the pump assembly to the base (retain the screws and washers for re-use) and slide the assembled pump out of the base. The chopper will engage the black macerator housing and it may be necessary to gently "tap" the chopper against it to dislodge the macerator housing from the base. The old base with its attached discharge port, base to bowl rubber gasket and attachment fasteners are not used with the new base kit.
- B. Slide a 6 mm lock washer (internal tooth) (Key 2) onto each of the 6 mm (Phillips) Pan Head machine screws (Key 1). Place a 6mm hex nut (Key 3) into a hex shaped pocket on the top of the base at each attachment point. From the bottom side of the base, insert a 6mm machine screw with lock washer through the base attachment hole and screw it into the nut in the pocket on the top of the base. Repeat this process and torque each screw to 23-25 inch pounds, until the four attachment screws form mounting studs to attach the china bowl.

- C. Ensure the black macerator housing (around the chopper and centrifugal waste pump impeller) is properly aligned, with the discharge cutout positioned at the discharge port and the raised positioning rib at the top aligning with the notch in the top of the base. Ensure the pump sealing O-Ring (gasket on very early models) is properly positioned in its groove (a little grease may be used to hold it in place) and carefully (so as not to dislodge the seal) slide the pump assembly into the base. Secure the pump to the base with the four machine screws and lock washers and torque each to 13-15 inch pounds.
- D. It is generally easier to re-attach the base and pump assembly to the sole (floor) and complete the plumbing and electrical connections prior to securing the china bowl to the base. If adding a forward attachment fastener and if using lag screws into a gelcoated surface, it is best to drill a fastener clearance hole through the gelcoat to avoid cracking it. After securing the base in place, snap each fastener cover (Key 10) into its lock at each hold-down fastener alcove.
- E. Once the base and pump assembly is secured in place, position the bowl/base O-Ring (square cut) seal (Key 8) in the O-Ring groove on the top of the base. Ensure the bottom of the china bowl is clean and position the bowl over the base studs onto the base. Place a plastic washer (Key 4) over each stud to protect the surface of the china bowl, then place a stainless steel washer (Key 5) on top of each plastic one. Screw a 6mm hex nut (Key 3) onto each stud and torque each to 23-25 inch pounds. Place one white plastic decorative cap (Key 7) on top of each 6mm hex nut. Re-attach all hoses and electrical connections (if not done previously) that may have been removed.



Model 37004-1000

Jabsco



**ITT Industries**  
*Engineered for life*

U.S.A.  
Jabsco  
20 Icon  
Foothill Ranch, CA 92610-3000  
Tel: 949 609.5106  
Fax: 949 859.1254

UNITED KINGDOM  
Jabsco  
Bingley Road, Hoddesdon  
Hertfordshire EN11 0BU  
Tel: +44 (0) 1992 450145  
Fax: +44 (0) 1992 467132

CANADA  
Fluid Products Canada  
55 Royal Road  
Guelph, Ontario N1H 1T1  
Tel: 519 821.1900  
Fax: 519 821.2569

JAPAN  
NHK Jabsco Company Ltd.  
3-21-10, Shin-Yokohama  
Kohoku-Ku, Yokohama, 222  
Tel: 045.475.8906  
Fax: 045.475.8908

GERMANY  
Jabsco GmbH  
Oststrasse 28  
22840 Norderstedt  
Tel: +49-40-53 53 73 -0  
Fax: +49-40-53 53 73 -11