

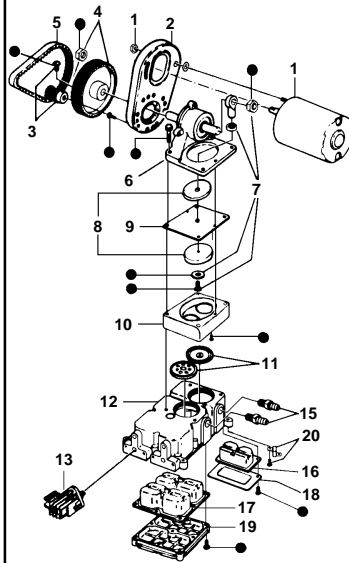
Water System Pump Replacement Parts

Choose from a line of quality water systems designed to meet your needs.

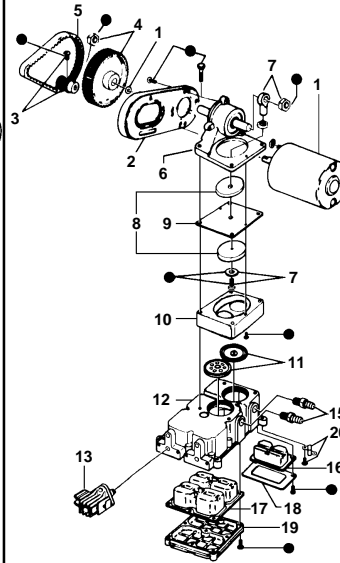
PUMPGARD IN-LINE STRAINERS

Model	Ports	Weight
36400-0000	1/2" Hose	1/2
36400-1000	1/2" Thread	1/2
36400-2000	1/2" Hose-In	1/2
36400-3000	1/2" Thread-Out	1/2
36400-3000	1/2" Thread (M) In	1/2
36400-5000	1/2" Thread (F) Out	1/2
36400-5000	1/2" Hose-In	1/2
36400-5000	1/2" Thread (F) Out	1/2

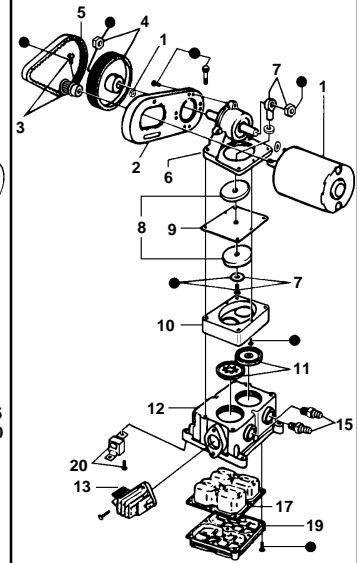
36138-0000	Screen Replacement
36403-0000	O-ring
44070-0000	Clear Bowl



● Indicates items included in Hardware Kit (Key 21).



● Indicates items included in Hardware Kit (Key 21).



● Indicates items included in Hardware Kit (Key 21).

36900-Series (Was 6900 J)

36800-Series (Was 6800 J)

36950-Series (Was 6950 J)

Part Description	Key	Part Number	Qty.	Part Number	Qty.	Part Number	Qty.	Series	
								(1000)	(2000)
Motor Kit	12 Vdc	30200-0000	1	30200-0000	1	30200-0000	1	X	X
	24 Vdc								
	32 Vdc								
Motor Mount	2	34628-0000	1	34628-0000	1	34628-0000	1	X	X
Small Pulley	3	37169-0000	1	37169-0000	1	37169-0000	1	X	X
Large Pulley (with key way)	4	37170-0001	1	37170-0001	1	37171-0001	1	X	X
Belt	5	30021-0000	*	30021-0000	*	30022-0000	*	1	X
Jack Shaft Assembly	6	35690-0001	1	35506-0001	1	35689-0001	1	X	X
Connecting Rod Assembly	7	37173-0001	1	37173-0001	1	37173-0001	1	X	X
Diaphragm Plate	8	35212-0000	2	35503-0000	2	35503-0000	2	X	X
Diaphragm	9	30016-0000	*	30015-0000	*	30015-0000	*	1	X
Retainer	10	35173-0000	1	35497-0000	1	35497-0000	1	X	X
Valve Set (Inlet & Outlet)	11	30004-0000	* † 1 set	30004-0000	* † 1 set	30004-0000	* † 1 set	X	X
Base Assembly (See †)	12	35625-1100	† 1	35625-1100	† 1	35620-1100	† 1	X	
				35625-1200 - for 36850-Series		44114-1100	† 1		X
Pressure Switch	13	37121-0010	1	37121-0010	1	37121-0010	1	X	X
		37121-0000 - See Note 2	1	37121-0000 - See Note 2	1	37121-0000-See Note 2			
Ports (Inlet & Outlet) Barb**	15	37176-0000	† 1 set	37176-0000	† 1 set	37176-0000	† 1 set	X	X
Small Pulsation Dampener	16	37177-0000	* † 1	37177-0000	* † 1				
Pulsation Dampener	17	37178-0000	* † 1	37178-0000	* † 1	37178-0000	* † 1	X	
						44127-1000	* † 1		X
Small Bottom Plate	18	35628-0000	† 1	35628-0000	† 1				
Bottom Plate	19	35623-0000	† 1	35623-0000		35686-0000	† 1	X	X
Vibration Pad Kit (with SS feet)	20	37180-0000	† 1 set	37180-0000		37180-0000	† 1 set	X	
						43990-0058	† 1 set		X
Hardware Kit	21	37165-0001	1 set	37165-0001	1 set	43990-0071	† 1 set	X	
						43990-0059	† 1 set		X
Service Kit (See *)		30121-0000	*	30122-0000	*	30126-0000	*	X	
						43990-0061	*		X